

A

B

C

D

A

B

C

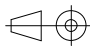

D

**FUNCTIONAL PLATE XPSBCE-A0
MONITORING TWO HAND CONTROL
SAFETY MODULE XPSBCE**

This technical information contained in this document is the exclusive property of Schneider Electric Industries S.A.S and cannot be used or disclosed to third parties of any kind without its written consent. Only those drawings and diagrams permitted after order booking are binding for execution. All devices shown in this diagrams are in open position, drawn out with operating mechanism disassembled and all power sources off.

Les informations techniques contenues dans ce document sont la propriété exclusive de Schneider Electric Industries S.A.S et ne peuvent être utilisées ou divulguées à des tiers quels qu'ils soient sans son accord écrit. Seuls nos engagements pour l'exécution des plans et schémas remis après enregistrement de la commande. Les appareils représentés sur ce schéma sont en position ouvert - démontés - toutes sources coupées.

00	10/04/2017	Edition originale / First issue	AKKA	O.MEURANT	A.PERRIN			
Ind	Date	Modification / Modification	Nom / Name	Visa	Nom / Name	Visa	Nom / Name	Visa
Rev	Date		Dessine / Drawn	Verifie / Checked	Approuve / Approved	Archiv. Micro-filmed		

FUNCTIONAL PLATE XPSBCE MONITORING OF TWO HAND CONTROL SAFETY MODULE XPSBCE		CELLEAN OFFER	
Echelle Scale	1/1		
Unite / Department			
Code diffusion Distribution code	Projet - No commande Project - Order No.	QGH9391703	Indice Rev : 00
			Folio Sheet : 001

1 2 3 4 5 6 7 8 9 10

This technical information contained in this document is the exclusive property of Schneider Electric Industries S.A.S. and cannot be used or disclosed to third parties of any kind without its written consent. Only those drawings and diagrams permitted after order booking are binding for execution. All devices shown in this diagrams are in their position. Drawn out with separating mechanism disengaged and all power sources off.

Les informations techniques contenues dans ce document sont la propriété exclusive de Schneider Electric Industries S.A.S. et ne peuvent être utilisées ou divulguées à des tiers sans le consentement écrit de Schneider Electric. Seuls ceux des schémas et plans et schémas remis après enregistrement de la commande. Les appareils représentés sur ce schéma sont en position ouvert - débranchés - toutes sources coupées.

Folio	Designation	Indice de modification							Folio	Designation	Indice de modification						
Sheet	Designation	Revision						Sheet	Designation	Revision							
001	FRONT PAGE	00															
002	SUMMARY	00															
003	FUNCTIONAL PLATE	00															
004	LAYOUT	00															
005	WIRE LIST SHEET 001 / 002	00															
006	WIRE LIST SHEET 002 / 002	00															
007	PART LIST	00															

Archivage
Microfilm

SUMMARY

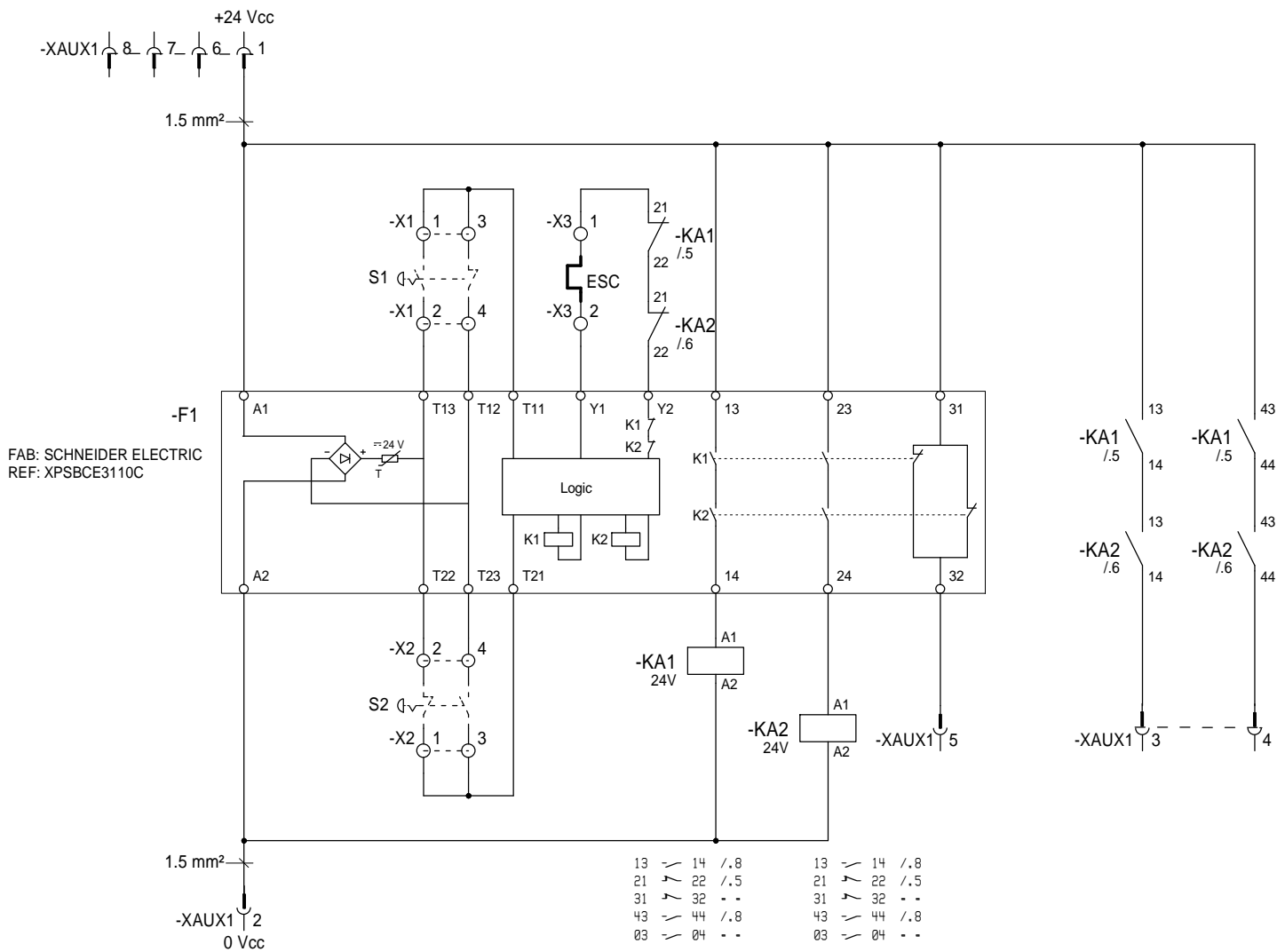
CELLEAN OFFER



OGH9391703	
Project - No commande	Indice Rev
Project - Order No.	00
Folio Sheet	002

This technical information contained in this document is the exclusive property of Schneider Electric Industries S.A.S. and cannot be used or disclosed to third parties of any kind without its written consent. Only those drawings and diagrams permitted after order booking are binding for execution. All devices shown in this diagrams are in open position. Drawn out with operating mechanism discharged and all power sources off.

Les informations techniques contenues dans ce document sont la propriété exclusive de Schneider Electric Industries S.A.S. et ne peuvent être utilisées ou divulguées à des tiers quels qu'ils soient sans son accord écrit. Seuls nous engageons pour l'exécution les plans et schémas remis après enregistrement de la commande. Les appareils représentés sur ce schéma sont en position ouvert - déarmés - débranchés - toutes sources coupées.



Ind.	Date	Modification	Archiv.	Ind.	Date	Modification	Archiv.
00	10/04/2017	Edition originale					

FUNCTIONAL PLATE
XPSBCE
MONITORING OF TWO HAND CONTROL
SAFETY MODULE XPSBCE

CELLEAN OFFER



OGH9391703
Project - Order No.
Indice Rev 00
Folio Sheet 003

A

B

C

D

A

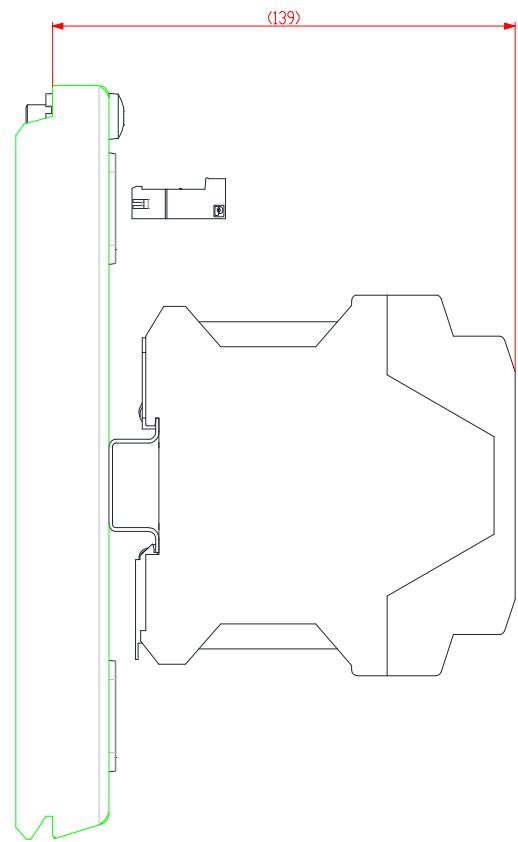
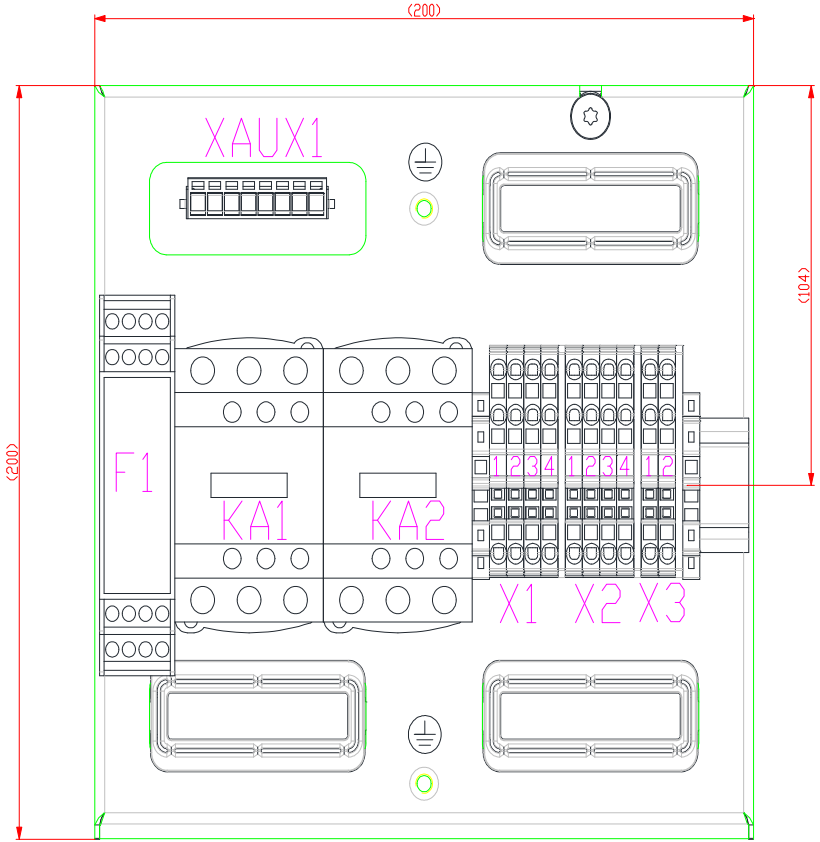
B

C

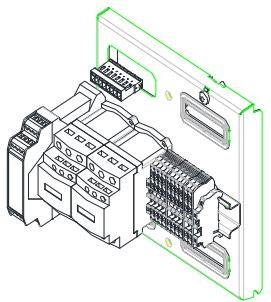
D

This technical information contained in this document is the exclusive property of Schneider Electric Industries S.A.S and cannot be used or disclosed to third parties of any kind without its written consent. Only those drawings and diagrams permitted after order booking are binding for execution. All devices shown in this diagrams are in open position. Drawn out with operating mechanism discharged and all power sources off.

Les informations techniques contenues dans ce document (y compris les appareils eux-mêmes) sont la propriété exclusive de Schneider Electric Industries S.A.S et ne peuvent être utilisées ou divulguées à des tiers ou à des tiers tiers sans son accord écrit. Seuls nos engagements pour exécution, les plans et schémas remis après enregistrement de la commande. Les appareils représentés sur ce schéma sont en position ouverte - débranchés - débranchés - toutes sources coupées.



APPROXIMATE WEIGHT : 1500 g



LAYOUT
XPSBCE
MONITORING OF TWO HAND CONTROL
SAFETY MODULE XPSBCE

CELLEAN OFFER



QGH9391703

Project - No commande
Project - Order No.

Indice
Rev
00

Folio
Sheet
004

1			2		3		4	5	6	7	8	9		10
Type of circuit	Electrical Features		Wire Destination		Sheet N°	Designation	Color	Section	Wire Type	Wire routing in cut out	Câble end			
	U (V)	S (VA)	From	To							From	To		
AUXILARY SUPPLY	24 VDC	4 VA	XAUX1.1	F1.A1	003	UNIPOLAR INSULATED ELECTRIC CABLE	BLACK	1.5 mm²	H07V-K	/	CABLE END INSULATED	CABLE END INSULATED		
			XAUX1.2	F1.A2	003	UNIPOLAR INSULATED ELECTRIC CABLE	BLACK	1.5 mm²	H07V-K		CABLE END INSULATED	CABLE END INSULATED		
CONTROL CIRCUIT			F1.A1	F1.13	003	UNIPOLAR INSULATED ELECTRIC CABLE	BLACK	1.5 mm²	H07V-K	/	CABLE END INSULATED	CABLE END INSULATED		
			F1.13	F1.23	003	UNIPOLAR INSULATED ELECTRIC CABLE	BLACK	1.5 mm²	H07V-K		CABLE END INSULATED	CABLE END INSULATED		
			F1.A2	KA1.A2	003	UNIPOLAR INSULATED ELECTRIC CABLE	BLACK	1.5 mm²	H07V-K		CABLE END INSULATED	CABLE END INSULATED		
			KA1.A2	KA2.A2	003	UNIPOLAR INSULATED ELECTRIC CABLE	BLACK	1.5 mm²	H07V-K		CABLE END INSULATED	CABLE END INSULATED		
			KA1.A1	F1.14	003	UNIPOLAR INSULATED ELECTRIC CABLE	BLACK	1.5 mm²	H07V-K		ABOTTOM BTOP	CABLE END INSULATED	CABLE END INSULATED	
			KA2.A1	F1.24	003	UNIPOLAR INSULATED ELECTRIC CABLE	BLACK	1.5 mm²	H07V-K		ABOTTOM BTOP	CABLE END INSULATED	CABLE END INSULATED	
			F1.T13	X1.2	003	UNIPOLAR INSULATED ELECTRIC CABLE	BLACK	1.5 mm²	H07V-K		/	CABLE END INSULATED	CABLE END INSULATED	
			F1.T12	X1.4	003	UNIPOLAR INSULATED ELECTRIC CABLE	BLACK	1.5 mm²	H07V-K		/	CABLE END INSULATED	CABLE END INSULATED	
			X1.1	X1.3	003	UNIPOLAR INSULATED ELECTRIC CABLE	BLACK	1.5 mm²	H07V-K		/	CABLE END INSULATED	CABLE END INSULATED	
			X1.3	F1.T11	003	UNIPOLAR INSULATED ELECTRIC CABLE	BLACK	1.5 mm²	H07V-K		BTOP ABOTTOM	CABLE END INSULATED	CABLE END INSULATED	
			F1.Y1	X3.2	003	UNIPOLAR INSULATED ELECTRIC CABLE	BLACK	1.5 mm²	H07V-K		BTOP ABOTTOM	CABLE END INSULATED	CABLE END INSULATED	
			X3.1	KA1.21	003	UNIPOLAR INSULATED ELECTRIC CABLE	BLACK	1.5 mm²	H07V-K		ABOTTOM BTOP	CABLE END INSULATED	CABLE END INSULATED	
			KA1.22	KA2.21	003	UNIPOLAR INSULATED ELECTRIC CABLE	BLACK	1.5 mm²	H07V-K		ABOTTOM BTOP	CABLE END INSULATED	CABLE END INSULATED	
			KA2.22	F1.Y2	003	UNIPOLAR INSULATED ELECTRIC CABLE	BLACK	1.5 mm²	H07V-K		/	CABLE END INSULATED	CABLE END INSULATED	
			X2.2	F1.T22	003	UNIPOLAR INSULATED ELECTRIC CABLE	BLACK	1.5 mm²	H07V-K		/	CABLE END INSULATED	CABLE END INSULATED	
			X2.4	F1.T23	003	UNIPOLAR INSULATED ELECTRIC CABLE	BLACK	1.5 mm²	H07V-K		/	CABLE END INSULATED	CABLE END INSULATED	
			X2.1	X2.3	003	UNIPOLAR INSULATED ELECTRIC CABLE	BLACK	1.5 mm²	H07V-K		/	CABLE END INSULATED	CABLE END INSULATED	
			X2.3	F1.T21	003	UNIPOLAR INSULATED ELECTRIC CABLE	BLACK	1.5 mm²	H07V-K		ABOTTOM BTOP	CABLE END INSULATED	CABLE END INSULATED	
			F1.23	F1.31	003	UNIPOLAR INSULATED ELECTRIC CABLE	BLACK	1.5 mm²	H07V-K		/	CABLE END INSULATED	CABLE END INSULATED	
			F1.31	KA1.13	003	UNIPOLAR INSULATED ELECTRIC CABLE	BLACK	1.5 mm²	H07V-K		/	CABLE END INSULATED	CABLE END INSULATED	

This technical information remains in the exclusive property of Schneider Electric Industries S.A.S. and cannot be used or disclosed to third parties of any kind without its written consent. Only those drawings and diagrams remitted after order booking are binding for execution. All devices shown in this diagrams are in open position, drawn out with separating mechanism disengaged and all power sources off.

Les informations techniques contenues dans ce document sont la propriété exclusive de Schneider Electric Industries S.A.S. et ne peuvent être utilisées ou divulguées à des tiers sans la autorisation écrite de Schneider Electric Industries S.A.S. Seul le schéma remis après enregistrement de la commande. Les appareils représentés sur ce schéma sont en position ouvert - disjoints - débrayés - toutes sources coupées.

Archiv.	Ind.	Date	Modification	Archiv.
---------	------	------	--------------	---------

WIRE LIST
XPSBCE
MONITORING OF TWO HAND CONTROL
SAFETY MODULE XPSBCE

CELLEAN OFFER



OGH9391703
 Projet - No commande
 Project - Order No.
 Indice Rev 00
 Folio Sheet 005

1	2	3	4	5	6	7	8	9	10			
Type of circuit	Electrical Features U (V) S (VA)		Wire Destination From To		Sheet N°	Designation	Color	Section	Wire Type	Wire routing in cut out	Câble end From To	
CONTROL CIRCUIT			KA1.13	KA1.43	003	UNIPOLAR INSULATED ELECTRIC CABLE	BLACK	1.5 mm ²	H07V-K	ABOTTOM BTOP	CABLE END INSULATED	CABLE END INSULATED
			KA1.14	KA2.13	003	UNIPOLAR INSULATED ELECTRIC CABLE	BLACK	1.5 mm ²	H07V-K		CABLE END INSULATED	CABLE END INSULATED
			KA2.14	XAUX1.3	003	UNIPOLAR INSULATED ELECTRIC CABLE	BLACK	1.5 mm ²	H07V-K		CABLE END INSULATED	CABLE END INSULATED
			KA1.44	KA2.43	003	UNIPOLAR INSULATED ELECTRIC CABLE	BLACK	1.5 mm ²	H07V-K		CABLE END INSULATED	CABLE END INSULATED
			KA2.44	XAUX1.4	003	UNIPOLAR INSULATED ELECTRIC CABLE	BLACK	1.5 mm ²	H07V-K		CABLE END INSULATED	CABLE END INSULATED
			F1.32	XAUX1.5	003	UNIPOLAR INSULATED ELECTRIC CABLE	BLACK	1.5 mm ²	H07V-K		CABLE END INSULATED	CABLE END INSULATED

This technical information contained in this document is the exclusive property of Schneider Electric Industries S.A.S. and cannot be used or disclosed to third parties of any kind without its written consent. Only those drawings and diagrams permitted after order booking are binding for execution. All devices shown in this diagram are in their default position, drawn out with operating mechanism disengaged and all power sources off.

Les informations techniques contenues dans ce document (sauf la précision explicite de Schneider Electric Industries S.A.S. et ne pouvant être utilisées ou divulguées à des tiers) sont la propriété exclusive de Schneider Electric Industries S.A.S. et ne peuvent être utilisées ou divulguées à des tiers sans son accord écrit. Seuls ceux représentés sur ce schéma sont en livraison ou livrables - démontés - abîmés - toutes sources coupées.

00	10/01/2017	Edition originale		Archiv.	Ind.	Date	Modification	Archiv.
Ind.	Date	Modification		Archiv.	Ind.	Date	Modification	Archiv.

WIRE LIST
 XPSBCE
 MONITORING OF TWO HAND CONTROL
 SAFETY MODULE XPSBCE

CELLEAN OFFER



QGH9391703

Projet - No commande
 Project - Order No.

Indice Rev
 00
 Folio Sheet
 006

		1	2	3	4	5	6	7	8	9	10	
A	This technical information contained in this document is the exclusive property of Schneider Electric Industries S.A.S. and cannot be used or disclosed to third parties of any kind without its written consent. Only those drawings and diagrams permitted after order booking are binding for execution. All devices shown in this diagrams are in open position, drawn out with operating mechanism disengaged and all power sources off.	TAG	SHEET	DESCRIPTION				MANUFACTURER	MANUFACTURER REF.	QTY		
		F1	003	MODULE XPSBCE - TWO-HAND CONTROL - 24 V AC/DC				SCHNEIDER ELECTRIC	XPSBCE3110C	1		
		KA1	003	CONTROL RELAY				SCHNEIDER ELECTRIC	CAD32BD	1		
		KA2	003	CONTROL RELAY				SCHNEIDER ELECTRIC	CAD32BD	1		
		X1	003	END BRACKET SNAP ON FOR 35 MM DIN RAILS				SCHNEIDER ELECTRIC	NSYTRAB35	1		
		X1	003	MARKING FOR TERMINAL BLOK NUMBER 1-10				SCHNEIDER ELECTRIC	NSYTRAB510	1		
		X1	003	END COVER FOR NSYTRR23-NSYTRR22SC-NSYTRP23 TERMINALS				SCHNEIDER ELECTRIC	NSYTRACR23	1		
		X1	003	SPRING TERMINAL BLOCK, 2.5mm2, 24A, SINGLE-LEVEL 1x2 SPRING, GREY				SCHNEIDER ELECTRIC	NSYTRR23	4		
		X2	003	MARKING FOR TERMINAL BLOK NUMBER 1-10				SCHNEIDER ELECTRIC	NSYTRAB510	1		
		X2	003	END COVER FOR NSYTRR23-NSYTRR22SC-NSYTRP23 TERMINALS				SCHNEIDER ELECTRIC	NSYTRACR23	1		
		X2	003	SPRING TERMINAL BLOCK, 2.5mm2, 24A, SINGLE-LEVEL 1x2 SPRING, GREY				SCHNEIDER ELECTRIC	NSYTRR23	4		
		X3	003	END BRACKET SNAP ON FOR 35 MM DIN RAILS				SCHNEIDER ELECTRIC	NSYTRAB35	1		
		X3	003	MARKING FOR TERMINAL BLOK NUMBER 1-10				SCHNEIDER ELECTRIC	NSYTRAB510	1		
		B		X3	003	END COVER FOR NSYTRR23-NSYTRR22SC-NSYTRP23 TERMINALS				SCHNEIDER ELECTRIC	NSYTRACR23	1
X3	003			SPRING TERMINAL BLOCK, 2.5mm2, 24A, SINGLE-LEVEL 1x2 SPRING, GREY				SCHNEIDER ELECTRIC	NSYTRR23	2		
XAUX1	003			MOVING CONNECTOR SINGLE 8P 12A				SCHNEIDER ELECTRIC	LGYDC8APM	1		
				FUNCTION PLATE H200 x W200 4 WINDOWS VERSION A				SCHNEIDER ELECTRIC	NSYME02024A	1		
				DIN RAIL, WIDTH: 35mm, HEIGHT: 15mm, LENGTH: 200mm				-----	DIN RAIL T2	1		
C				SHUTTER AND CABLE GLAND				SCHNEIDER ELECTRIC	NSYMEWGL	3		
D												
	00	10/04/2017	Edition originale / First issue									
	Ind. Rev	Date	Modification / Modification	Archiv. Micro-filmed	Ind. Rev	Date	Modification / Modification	Archiv. Micro-filmed				
				PART LIST XPSBCE				CELLEAN OFFER		OGH9391703		
				MONITORING OF TWO HAND CONTROL SAFETY MODULE XPSBCE				Schneider Electric		Project - No commande Project - Order No.		
										Indice Rev 00 Folio Sheet 007		