

A

B

C

D

A

B

C

D

FUNCTIONAL PLATE XPSAV-A0 EMERGENCY STOP CATEGORY 1 SAFETY MODULE XPSAV

This technical information contained in this document is the exclusive property of Schneider Electric Industries S.A.S and cannot be used or disclosed to third parties of any kind without its written consent. Only those drawings and diagrams permitted after order booking are binding for execution. All devices shown in this diagrams are in open position, drawn out with operating mechanism disassembled and all power sources off.

Les informations techniques contenues dans ce document sont la propriété exclusive de Schneider Electric Industries S.A.S et ne peuvent être utilisées ou divulguées à des tiers quels qu'ils soient sans son accord écrit. Seuls nos engagements pour l'exécution des plans et schémas remis après enregistrement de la commande. Les appareils représentés sur ce schéma sont en position ouvert - démontés - toutes sources coupées.

FUNCTIONAL PLATE XPSAV EMERGENCY STOP CATEGORY 1 SAFETY MODULE XPSAV				CELLEAN OFFER			
Echelle Scale		1/1					
Unite / Department				Code diffusion Distribution code			
00	11/04/2017	Edition originale / First issue		AKKA	O.MEURANT	A.PERRIN	
Ind	Date	Modification / Modification		Nom / Name	Visa	Nom / Name	Visa
Rev	Date			Dessine / Drawn	Verifie / Checked	Approuve / Approved	
				Archiv. Micro-filmed	Code diffusion Distribution code		QG9390203
						Indice Rev	00
						Folio Sheet	001

1	2		3		4		5		6		7		8		9		10	
Folio	Designation		Indice de modification						Folio	Designation		Indice de modification						
Sheet	Designation		Revision						Sheet	Designation		Revision						
001	FRONT PAGE		00															
002	SUMMARY		00															
003	FUNCTIONAL PLATE		00															
004	LAYOUT		00															
005	WIRE LIST SHEET 001 / 002		00															
006	WIRE LIST SHEET 002 / 002		00															
007	PART LIST		00															

This technical information, contained in this document is the exclusive property of Schneider Electric Industries S.A.S. and cannot be used or disclosed to third parties of any kind without its written consent. Only those drawings and diagrams permitted after order booking are binding for execution. All devices shown in this diagrams are in their position. Drawn out with operating mechanism discharged and all power sources off.

Les informations techniques contenues dans ce document (y compris les appareils, équipements, Schneider Electric Industries S.A.S. et ne peuvent être utilisées ou divulguées à des tiers ou à des tiers ou à des tiers sans son accord écrit. Seuls tous engagements pour l'exécution des plans et schémas remis après enregistrement de la commande. Les appareils représentés sur ce schéma sont en position ouvert - débranchés - débranchés - toutes sources coupées.

Archivage
Microfilm

SUMMARY

CELLEAN OFFER

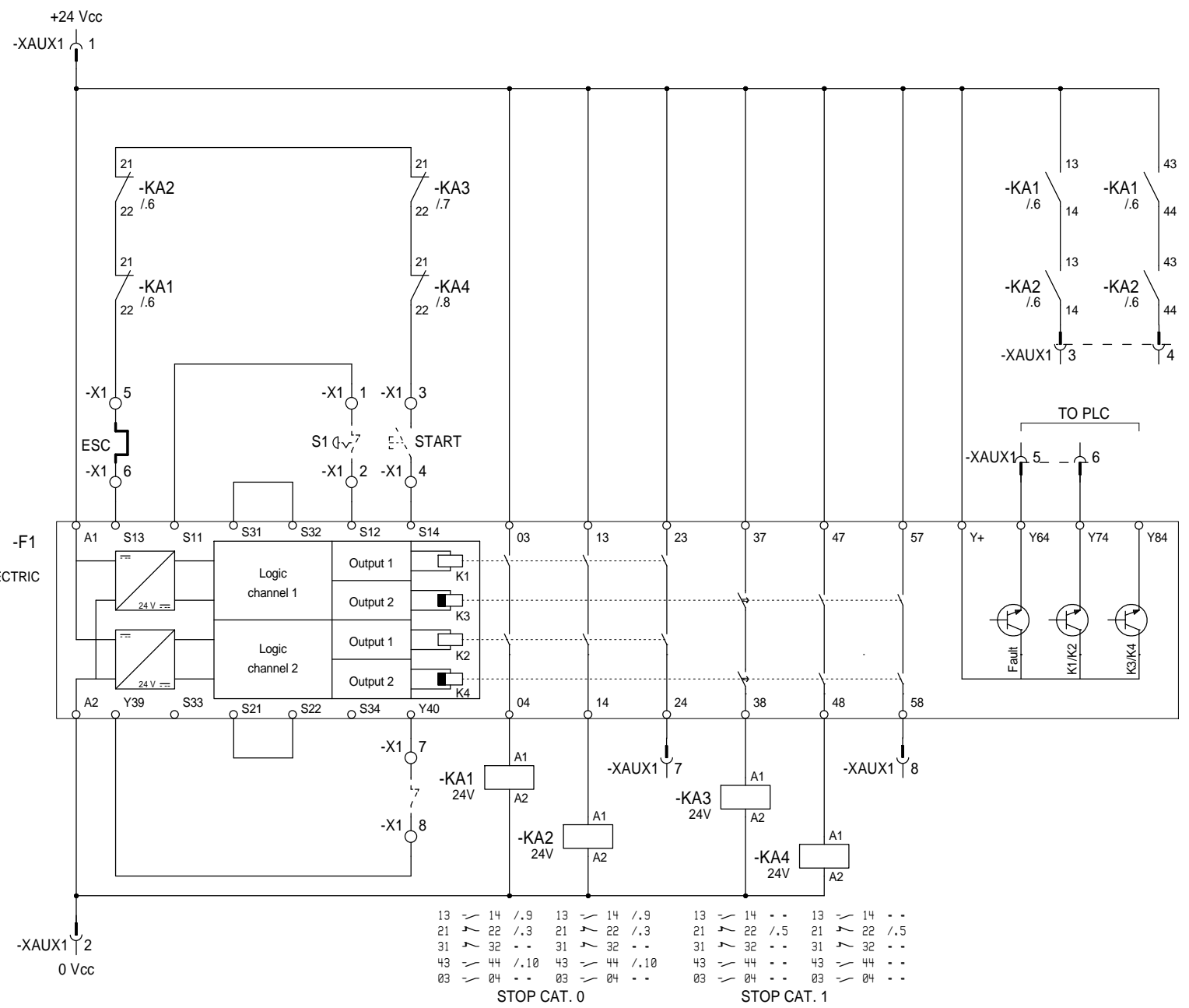


OGH9390203
 Project - No commande
 Project - Order No.
 Indice Rev 00
 Folio Sheet 002

This technical information is provided in this document in the exclusive property of Schneider Electric Industries S.A.S. and cannot be used or disclosed to third parties of any kind without its written consent. Only those drawings and diagrams permitted after order booking are binding for execution. All devices shown in this diagrams are in open position. Drawn out with operating mechanism discharged and all power sources off.

Les informations techniques contenues dans ce document (sauf la portée explicite de Schneider Electric Industries S.A.S. et ne peuvent être utilisées ou divulguées à des tiers) sont la propriété de Schneider Electric Industries S.A.S. et ne peuvent être utilisées ou divulguées à des tiers sans son accord écrit. Seuls ceux autorisés par le fabricant sont contraignants pour l'exécution. Tous les appareils représentés sur ce schéma sont en position ouverte - débranchés - toutes sources coupées.

FAB: SCHNEIDER ELECTRIC
REF: XPS AV11113P



FUNCTIONAL PLATE
XPSAV
EMERGENCY STOP CATEGORY 1
SAFETY MODULE XPSAV

CELLEAN OFFER



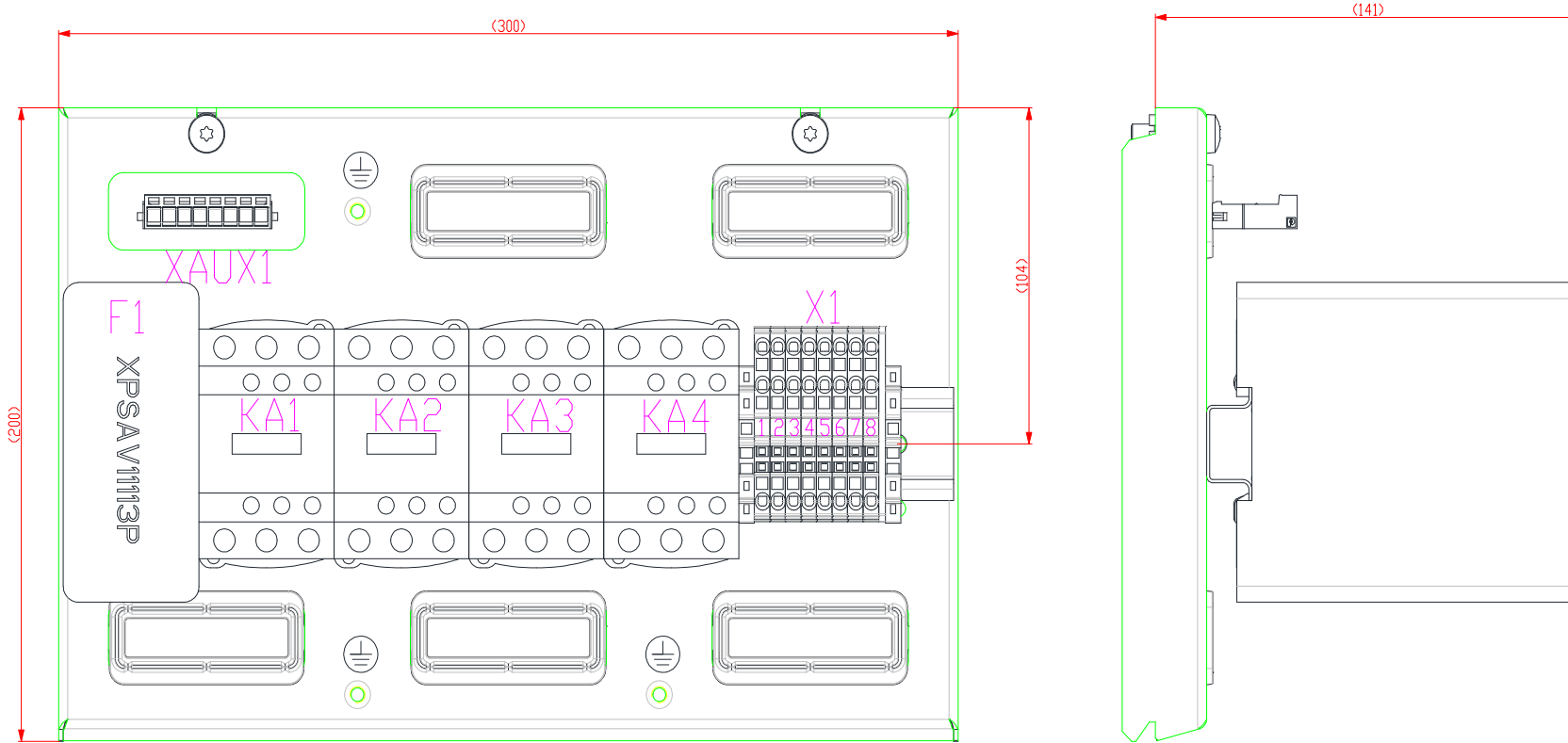
OGH9390203

Projet - No commande	Indice	Folio
Project - Order No.	Rev	Sheet
	00	003

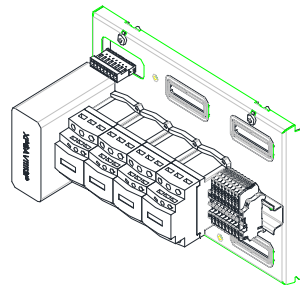
This technical information is the exclusive property of Schneider Electric Industries S.A.S. and cannot be used or disclosed to third parties without its written consent. Only those drawings and diagrams permitted after order booking are binding for execution. All devices shown in this diagrams are in open position. Drawn out with operating mechanism discharged and all power sources off.

Les informations techniques contenues dans ce document sont la propriété exclusive de Schneider Electric Industries S.A.S. et ne peuvent être utilisées ou divulguées à des tiers sans son accord écrit. Seuls nos engagements pour exécution des plans et schémas remis après enregistrement de la commande. Les appareils représentés sur ce schéma sont en position ouverte - débranchés - débranchés - toutes sources coupées.

1 2 3 4 5 6 7 8 9 10



APPROXIMATE WEIGHT : 2000 g



D

Ind.	Date	Modification	Archiv.	Ind.	Date	Modification	Archiv.
00	11/04/2017	Edition originale					

LAYOUT
XPSAV
EMERGENCY STOP CATEGORY 1
SAFETY MODULE XPSAV

CELLEAN OFFER



OGH9390203

Project - No commande
Project - Order No.

Indice Rev	Folio Sheet
00	004

1	2		3		4	5	6	7	8	9		10	
Type of circuit	Electrical Features		Wire Destination		Sheet N°	Designation	Color	Section	Wire Type	Wire routing in cut out	Câble end		
	U (V)	P (W)	From	To							From	To	
AUXILIARY SUPPLY	24 VDC	5 W	XAUX1.1	F1.A1	003	UNIPOLAR INSULATED ELECTRIC CABLE	BLACK	1.5 mm²	H07V-K	/	CABLE END INSULATED	CABLE END INSULATED	
			XAUX1.2	F1.A2	003	UNIPOLAR INSULATED ELECTRIC CABLE	BLACK	1.5 mm²	H07V-K		CABLE END INSULATED	CABLE END INSULATED	
CONTROL CIRCUIT			F1.A1	F1.03	003	UNIPOLAR INSULATED ELECTRIC CABLE	BLACK	1.5 mm²	H07V-K	/	CABLE END INSULATED	CABLE END INSULATED	
			F1.03	F1.13	003	UNIPOLAR INSULATED ELECTRIC CABLE	BLACK	1.5 mm²	H07V-K		CABLE END INSULATED	CABLE END INSULATED	
			F1.13	F1.23	003	UNIPOLAR INSULATED ELECTRIC CABLE	BLACK	1.5 mm²	H07V-K		CABLE END INSULATED	CABLE END INSULATED	
			F1.23	F1.37	003	UNIPOLAR INSULATED ELECTRIC CABLE	BLACK	1.5 mm²	H07V-K		CABLE END INSULATED	CABLE END INSULATED	
			F1.47	F1.57	003	UNIPOLAR INSULATED ELECTRIC CABLE	BLACK	1.5 mm²	H07V-K		CABLE END INSULATED	CABLE END INSULATED	
			F1.57	F1.Y+	003	UNIPOLAR INSULATED ELECTRIC CABLE	BLACK	1.5 mm²	H07V-K		CABLE END INSULATED	CABLE END INSULATED	
			F1.A2	KA1.A2	003	UNIPOLAR INSULATED ELECTRIC CABLE	BLACK	1.5 mm²	H07V-K		CABLE END INSULATED	CABLE END INSULATED	
			KA1.A2	KA2.A2	003	UNIPOLAR INSULATED ELECTRIC CABLE	BLACK	1.5 mm²	H07V-K		CABLE END INSULATED	CABLE END INSULATED	
			KA2.A2	KA3.A2	003	UNIPOLAR INSULATED ELECTRIC CABLE	BLACK	1.5 mm²	H07V-K		CABLE END INSULATED	CABLE END INSULATED	
			KA3.A2	KA4.A2	003	UNIPOLAR INSULATED ELECTRIC CABLE	BLACK	1.5 mm²	H07V-K		CABLE END INSULATED	CABLE END INSULATED	
			KA1.A1	F1.04	003	UNIPOLAR INSULATED ELECTRIC CABLE	BLACK	1.5 mm²	H07V-K		BTOP ABOTTOM	CABLE END INSULATED	CABLE END INSULATED
			KA2.A1	F1.14	003	UNIPOLAR INSULATED ELECTRIC CABLE	BLACK	1.5 mm²	H07V-K		BTOP ABOTTOM	CABLE END INSULATED	CABLE END INSULATED
			KA3.A1	F1.38	003	UNIPOLAR INSULATED ELECTRIC CABLE	BLACK	1.5 mm²	H07V-K		BTOP ABOTTOM	CABLE END INSULATED	CABLE END INSULATED
			KA4.A1	F1.48	003	UNIPOLAR INSULATED ELECTRIC CABLE	BLACK	1.5 mm²	H07V-K		BTOP ABOTTOM	CABLE END INSULATED	CABLE END INSULATED
			F1.S13	X1.6	003	UNIPOLAR INSULATED ELECTRIC CABLE	BLACK	1.5 mm²	H07V-K		/	CABLE END INSULATED	CABLE END INSULATED
			X1.5	KA1.22	003	UNIPOLAR INSULATED ELECTRIC CABLE	BLACK	1.5 mm²	H07V-K		CTOP ABOTTOM	CABLE END INSULATED	CABLE END INSULATED
			KA1.21	KA2.22	003	UNIPOLAR INSULATED ELECTRIC CABLE	BLACK	1.5 mm²	H07V-K		BTOP ABOTTOM	CABLE END INSULATED	CABLE END INSULATED
			KA2.21	KA3.21	003	UNIPOLAR INSULATED ELECTRIC CABLE	BLACK	1.5 mm²	H07V-K		BTOP BBOTTOM	CABLE END INSULATED	CABLE END INSULATED
KA3.22	KA4.21	003	UNIPOLAR INSULATED ELECTRIC CABLE	BLACK	1.5 mm²	H07V-K	BBOTTOM BTOP	CABLE END INSULATED	CABLE END INSULATED				
KA4.22	X1.3	003	UNIPOLAR INSULATED ELECTRIC CABLE	BLACK	1.5 mm²	H07V-K	BBOTTOM CTOP	CABLE END INSULATED	CABLE END INSULATED				

This technical information remains in the exclusive property of Schneider Electric Industries S.A.S. and cannot be used or disclosed to third parties of any kind without its written consent. Only those drawings and diagrams permitted after order booking are being for execution. All devices shown in this diagrams are in open position, drawn out with separating mechanism disengaged and all power sources off.

Les informations techniques contenues dans ce document sont la propriété exclusive de Schneider Electric Industries S.A.S. et ne peuvent être utilisées ou divulguées à des tiers sans son accord écrit. Seuls nos engagements pour l'exécution des plans et schémas remis après enregistrement de la commande. Les appareils représentés sur ce schéma sont en position ouvert - déconnectés - débranchés - toutes sources coupées.

WIRE LIST
 XPSAV
 EMERGENCY STOP CATEGORY 1
 SAFETY MODULE XPSAV

CELLEAN OFFER



OGH9390203

Projet - No commande	Indice	Folio
Project - Order No.	Rev	Sheet
	00	005

1	2		3		4	5	6	7	8	9		10
Type of circuit	Electrical Features		Wire Destination		Sheet N°	Designation	Color	Section	Wire Type	Wire routing in cut out	Câble end	
	U (V)	P (W)	From	To							From	To
CONTROL CIRCUIT			X1.4	F1.S14	003	UNIPOLAR INSULATED ELECTRIC CABLE	BLACK	1.5 mm²	H07V-K	CTOP ABOTTOM	CABLE END INSULATED	CABLE END INSULATED
			F1.S11	X1.1	003	UNIPOLAR INSULATED ELECTRIC CABLE	BLACK	1.5 mm²	H07V-K		CABLE END INSULATED	CABLE END INSULATED
			X1.2	F1.S12	003	UNIPOLAR INSULATED ELECTRIC CABLE	BLACK	1.5 mm²	H07V-K		CABLE END INSULATED	CABLE END INSULATED
			F1.S31	F1.S32	003	UNIPOLAR INSULATED ELECTRIC CABLE	BLACK	1.5 mm²	H07V-K		CABLE END INSULATED	CABLE END INSULATED
			F1.S21	F1.S22	003	UNIPOLAR INSULATED ELECTRIC CABLE	BLACK	1.5 mm²	H07V-K		CABLE END INSULATED	CABLE END INSULATED
			F1.Y39	X1.8	003	UNIPOLAR INSULATED ELECTRIC CABLE	BLACK	1.5 mm²	H07V-K	ABOTTOM CTOP	CABLE END INSULATED	CABLE END INSULATED
			X1.7	F1.Y40	003	UNIPOLAR INSULATED ELECTRIC CABLE	BLACK	1.5 mm²	H07V-K	CTOP ABOTTOM	CABLE END INSULATED	CABLE END INSULATED
			F1.Y+	KA1.13	003	UNIPOLAR INSULATED ELECTRIC CABLE	BLACK	1.5 mm²	H07V-K		CABLE END INSULATED	CABLE END INSULATED
			KA1.13	KA1.43	003	UNIPOLAR INSULATED ELECTRIC CABLE	BLACK	1.5 mm²	H07V-K		CABLE END INSULATED	CABLE END INSULATED
			KA1.14	KA2.13	003	UNIPOLAR INSULATED ELECTRIC CABLE	BLACK	1.5 mm²	H07V-K	ABOTTOM BTOP	CABLE END INSULATED	CABLE END INSULATED
			KA2.14	XAUX1.3	003	UNIPOLAR INSULATED ELECTRIC CABLE	BLACK	1.5 mm²	H07V-K	ABOTTOM BTOP	CABLE END INSULATED	CABLE END INSULATED
			KA1.44	KA2.43	003	UNIPOLAR INSULATED ELECTRIC CABLE	BLACK	1.5 mm²	H07V-K	ABOTTOM BTOP	CABLE END INSULATED	CABLE END INSULATED
			KA2.44	XAUX1.4	003	UNIPOLAR INSULATED ELECTRIC CABLE	BLACK	1.5 mm²	H07V-K	ABOTTOM BTOP	CABLE END INSULATED	CABLE END INSULATED
			F1.Y64	XAUX1.5	003	UNIPOLAR INSULATED ELECTRIC CABLE	BLACK	1.5 mm²	H07V-K		CABLE END INSULATED	CABLE END INSULATED
			F1.Y74	XAUX1.6	003	UNIPOLAR INSULATED ELECTRIC CABLE	BLACK	1.5 mm²	H07V-K		CABLE END INSULATED	CABLE END INSULATED
			F1.24	XAUX1.7	003	UNIPOLAR INSULATED ELECTRIC CABLE	BLACK	1.5 mm²	H07V-K	ABOTTOM BTOP	CABLE END INSULATED	CABLE END INSULATED
		F1.58	XAUX1.8	003	UNIPOLAR INSULATED ELECTRIC CABLE	BLACK	1.5 mm²	H07V-K	ABOTTOM BTOP	CABLE END INSULATED	CABLE END INSULATED	
		F1.37	F1.47	003	UNIPOLAR INSULATED ELECTRIC CABLE	BLACK	1.5 mm²	H07V-K		CABLE END INSULATED	CABLE END INSULATED	

This technical information remains the exclusive property of Schneider Electric Industries S.A.S. and cannot be used or disclosed to third parties of any kind without its written consent. Only those drawings and diagrams remitted after order booking are binding for execution. All devices shown in this diagrams are in open position. Drawn out with operating mechanism disassembled and all power sources off.

Les informations techniques contenues dans ce document (sauf la présence explicite de Schneider Electric Industries S.A.S. et ne peuvent être utilisées ou divulguées à des tiers) sont la propriété de Schneider Electric Industries S.A.S. et ne peuvent être utilisées ou divulguées à des tiers sans son accord écrit. Seuls nos engagements sur ce schéma sont en vigueur. Les appareils représentés sont en position ouverte. Dessiné avec le mécanisme démonté et toutes les sources coupées.

00	10/01/2017	Edition originale									
Ind.	Date	Modification	Archiv.	Ind.	Date	Modification	Archiv.				

WIRE LIST
 XPSAV
 EMERGENCY STOP CATEGORY 1
 SAFETY MODULE XPSAV

CELLEAN OFFER



QGH9390203
 Projet - No commande
 Project - Order No.

Indice Rev	Folio Sheet
00	006

TAG	SHEET	DESCRIPTION	MANUFACTURER	MANUFACTURER REF.	QTY
F1	003	EMERG STOP MOD TEMP 24V	SCHNEIDER ELECTRIC	XPS AV11113P	1
KA1	003	CONTROL RELAY	SCHNEIDER ELECTRIC	CAD32BD	1
KA2	003	CONTROL RELAY	SCHNEIDER ELECTRIC	CAD32BD	1
KA3	003	CONTROL RELAY	SCHNEIDER ELECTRIC	CAD32BD	1
KA4	003	CONTROL RELAY	SCHNEIDER ELECTRIC	CAD32BD	1
X1	003	END BRACKET SNAP ON FOR 35 MM DIN RAILS	SCHNEIDER ELECTRIC	NSYTRAAB35	2
X1	003	MARKING FOR TERMINAL BLOK NUMBER 1-10	SCHNEIDER ELECTRIC	NSYTRAB510	1
X1	003	END COVER FOR NSYTRR23-NSYTRR22SC-NSYTRP23 TERMINALS	SCHNEIDER ELECTRIC	NSYTRACR23	1
X1	003	SPRING TERMINAL BLOCK, 2.5mm2, 24A, SINGLE-LEVEL 1x2 SPRING, GREY	SCHNEIDER ELECTRIC	NSYTRR23	8
XAUX1	003	MOVING CONNECTOR SINGLE 8P 12A	SCHNEIDER ELECTRIC	LGYDC8APM	1
		FUNCTION PLATE H200 x W300 6 WINDOWS VERSION A	SCHNEIDER ELECTRIC	NSYME02036A	1
		DIN RAIL, WIDTH: 35mm, HEIGHT: 15mm, LENGTH: 300mm	-----	DIN RAIL T3	1
		SHUTTER AND CABLE GLAND	SCHNEIDER ELECTRIC	NSYMEWGL	5

This technical information contained in this document is the exclusive property of Schneider Electric Industries S.A.S. and cannot be used or disclosed to third parties of any kind without its written consent. Only those drawings and diagrams permitted after order booking are binding for execution. All devices shown in this diagrams are in open position. Drawn out with operating mechanism disengaged and all power sources off.

Les informations techniques contenues dans ce document (sauf la portée explicite de Schneider Electric Industries S.A.S. et ne peuvent être utilisées ou divulguées à des tiers) sont la propriété exclusive de Schneider Electric Industries S.A.S. et ne peuvent être utilisées ou divulguées à des tiers sans son accord écrit. Seuls nos engagements pour l'exécution des plans et schémas remis après enregistrement de la commande. Les appareils représentés sur ce schéma sont en position ouvert - débranchés - toutes sources coupées.

PART LIST
 XPSAV
 EMERGENCY STOP CATEGORY 1
 SAFETY MODULE XPSAV

CELLEAN OFFER



OGH9390203
 Project - No commande
 Project - Order No.

Indice Rev 00
 Folio Sheet 007