

DIRECT OPENING N.C. CONTACTS MEET THE IEC AND EN REQUIREMENTS FOR POSITIVE OPENING CONTACTS PER IEC 947-5-1, EN 60947-5-1, AND NEMA ICS-5, PART 6 (DIRECT OPENING ACTION)

TYPE OF SWITCH	WITH LOCKING, MANUAL UNLOCKING ■ ▼		
LED INDICATION ON OPENING OF N.C. CONTACTS	WITHOUT LED	1 ORANGE LED 24/48 VAC OR VDC	1 ORANGE LED 110/240 VAC
N.C. + N.O. + N.O. SLOW BREAK † ★		XCSC503	XCSA513
N.C. + N.C. + N.O. SLOW BREAK † ★		XCSA703	XCSA713
N.C. + N.C. + N.C. SLOW BREAK †		XCSA803	-
WEIGHT (oz.)	17 (.480 kg)		

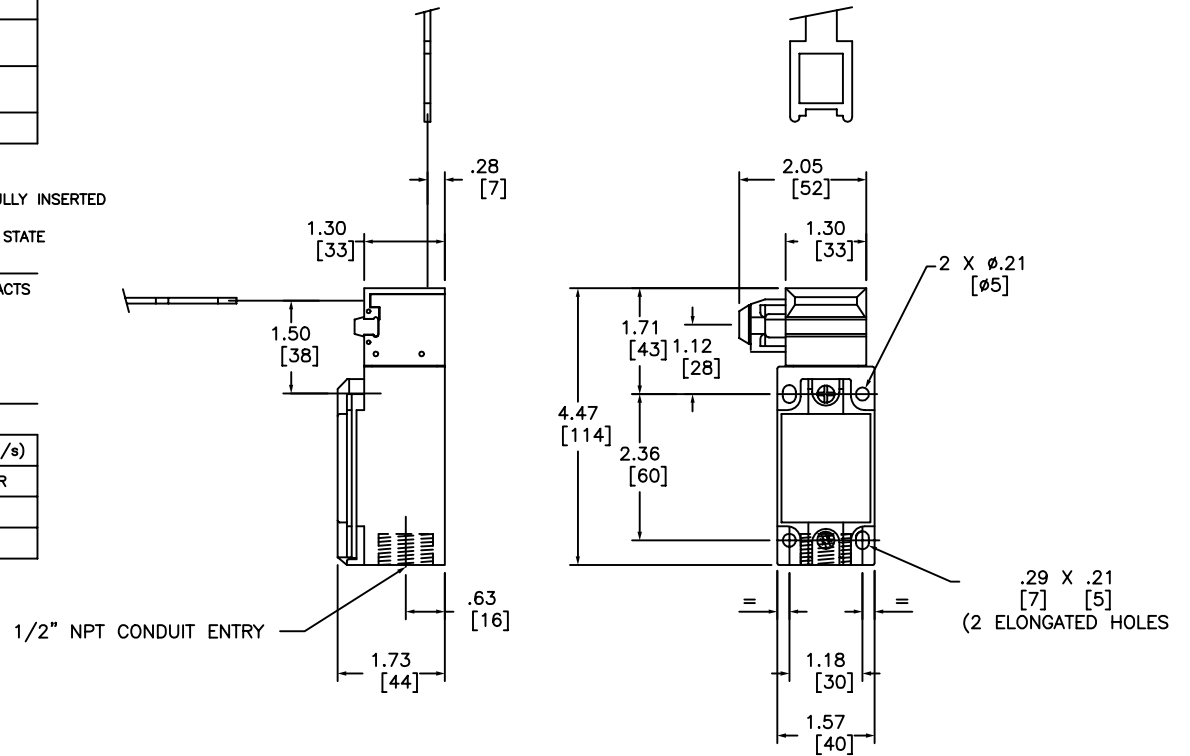
- 90° INCREMENTS THROUGHOUT 360°
- ▼ UNLOCKING BY TUBULAR HIGH SECURITY KEY OPERATED LOCK
- † SCHEMATIC DIAGRAMS SHOWN REPRESENT THE CONTACT STATE WHILE THE ACTUATING KEY IS FULLY INSERTED AND ENGAGED IN THE HEAD OF THE SWITCH
- ★ THE N.O. CONTACTS WILL CLOSE AFTER THE N.C. CONTACTS ARE OPEN. THEY DO NOT CHANGE STATE SIMULTANEOUSLY

ONLY THE N.C. CONTACTS SHOULD BE USED IN THE SAFETY CONTROL CIRCUIT. THE N.O. CONTACTS ARE PROVIDED SOLELY FOR SIGNALING - NOT FOR SAFETY FUNCTIONS.

THE ONLY REPLACEMENT PARTS OR COMPONENTS AVAILABLE ARE COVERS AND LED INDICATOR MODULES. THESE DEVICES ARE NOT TO BE REPAIRED OR ADJUSTED. THE COMPLETE SWITCH SHOULD BE REPLACED.

COMPLIMENTARY CHARACTERISTICS (NOT SHOWN UNDER GENERAL CHARACTERISTICS)

ACTUATION SPEED	MAXIMUM: 19.7in/s (.5m/s), MINIMUM: .39in/s (.01m/s)
MAXIMUM OPERATING RATE	OR MAXIMUM LIFE: 600 OPERATING CYCLES PER HOUR
MINIMUM FORCE FOR POSITIVE OPENING	4.5lbs (20 N)
CONDUIT ENTRY	XCSA: 1 ENTRY, CONDUIT ENTRY TAPPED 1/2" NPT



DUAL DIMENSIONS: INCHES
MILLIMETERS

"THE SQUARE D COMPANY HAS PROPRIETARY RIGHTS TO THE INFORMATION CONTAINED HEREON. THIS INFORMATION REMAINS THE PROPERTY OF SQUARE D COMPANY AND MAY BE USED ONLY IN CONFORMANCE WITH INSTRUCTIONS ISSUED BY SQUARE D COMPANY. USER SHOULD VERIFY DRAWINGS ARE TO THE LATEST/CURRENT REVISION PRIOR TO INCORPORATING IN A DESIGN FILE."

DO NOT SCALE DRAWING
UNLESS OTHERWISE SPECIFIED DIMENSIONS ARE IN INCHES

THIRD ANGLE PROJECTION
TOLERANCES
UNLESS OTHERWISE SPECIFIED
2 PLACE DECIMALS ± .01

XCSC SAFETY INTERLOCK
METAL TURRET HEAD TYPE XCSA
LOCKING, CONDUIT ENTRY TAPPED 1/2" NPT

SQUARE D COMPANY

DWG# XCSC_OUTLINE_001
NO.