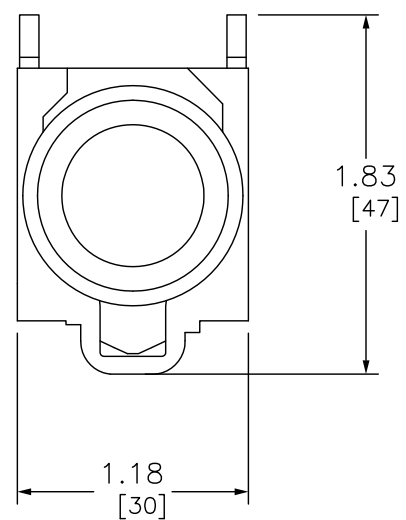
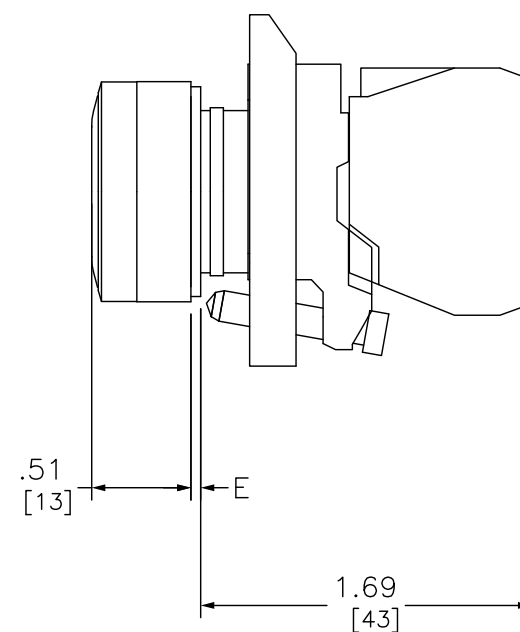


PANEL THICKNESS E DIM		NUMBER OF GASKET
IN	MM	
.06	2	4
.13	3	3
.19	5	2
.25	6	1



FRONT



RIGHT

DUAL DIMENSIONS: INCHES
MILLIMETERS

22MM ILL EXT PB,24V RED,1NO/1NC CONT

SQUARE D[™]
by Schneider Electric

DWG# XB4BW14B5
NO.