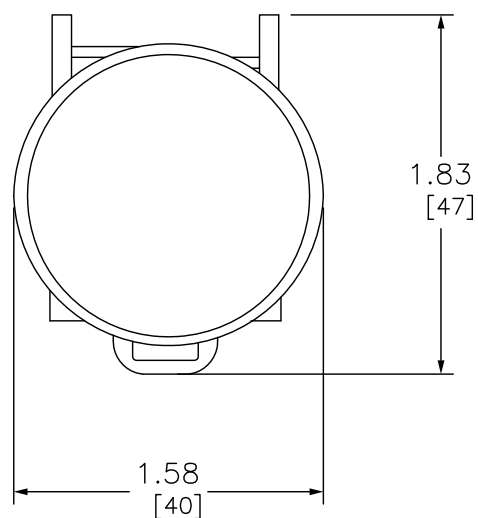
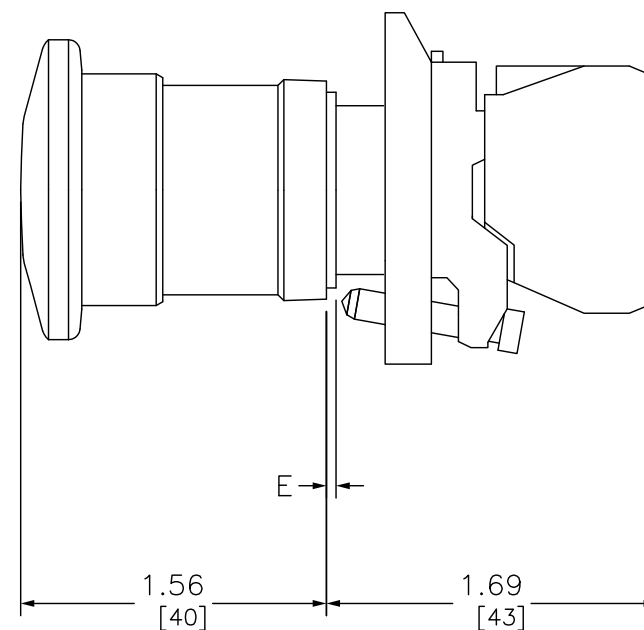


Panel Thickness E dim. inches (mm)	Number of Gasket
1/16 (1.6)	4
1/8 (3.2)	3
3/16 (4.8)	2
1/4 (6.4)	1



FRONT



RIGHT

DUAL DIMENSIONS: INCHES
MILLIMETERS

TRIGGER ACTION TURN TO RELEASE RED 40 MM



DWG# NO. XB4BS8442