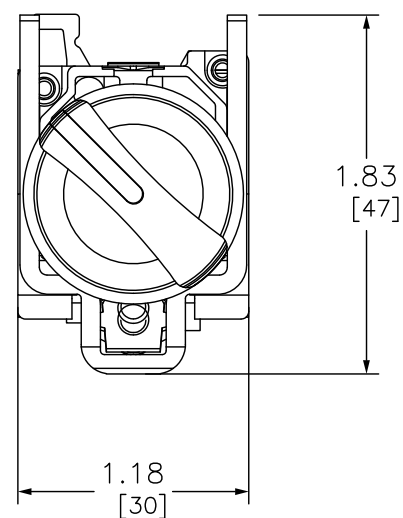
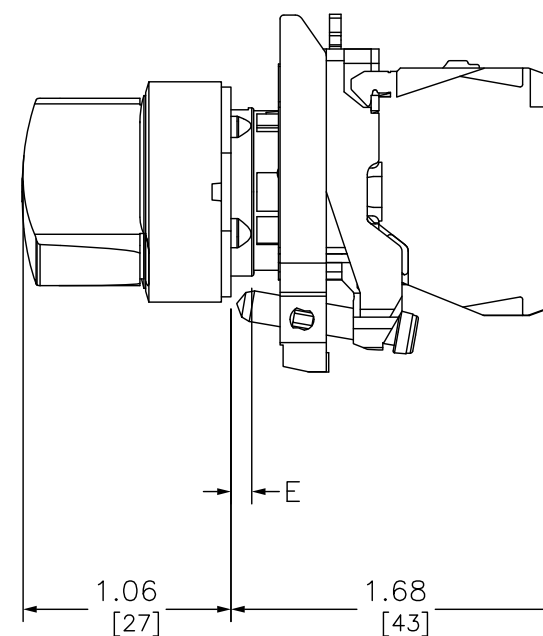


Panel Thickness E dim. inches (mm)	Number of Gasket
1/16 (1.6)	4
1/8 (3.2)	3
3/16 (4.8)	2
1/4 (6.4)	1



FRONT



RIGHT

DUAL DIMENSIONS: INCHES  
MILLIMETERS

GR ILL 3 POS SS W/120VAC LED & BODY



DWG# XB4BK133G3  
NO.