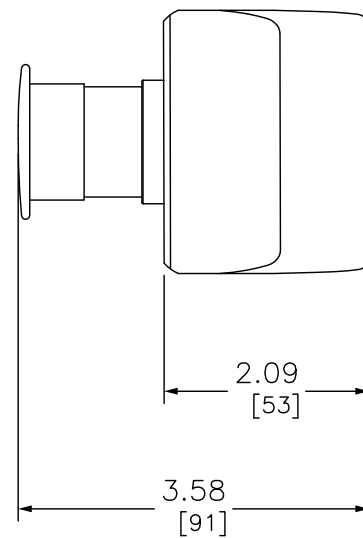
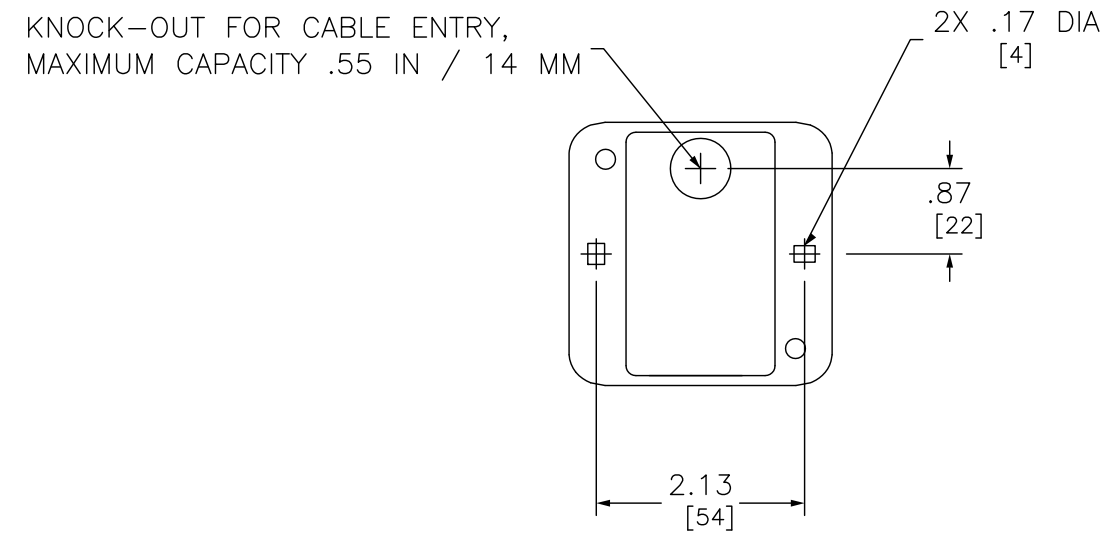


FRONT



RIGHT



BACK

DUAL DIMENSIONS: INCHES  
MILLIMETERS

PUSH BUTTON ENCLOSURE 600VAC 10A XALB SP



DWG# XALK178H7  
NO.