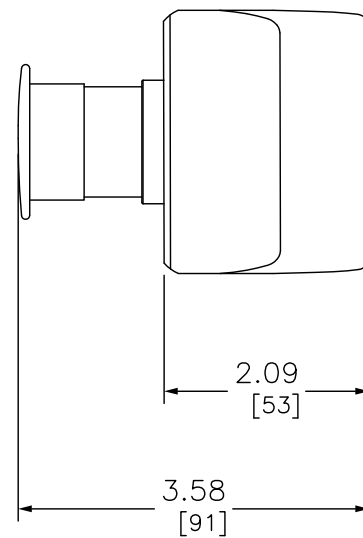
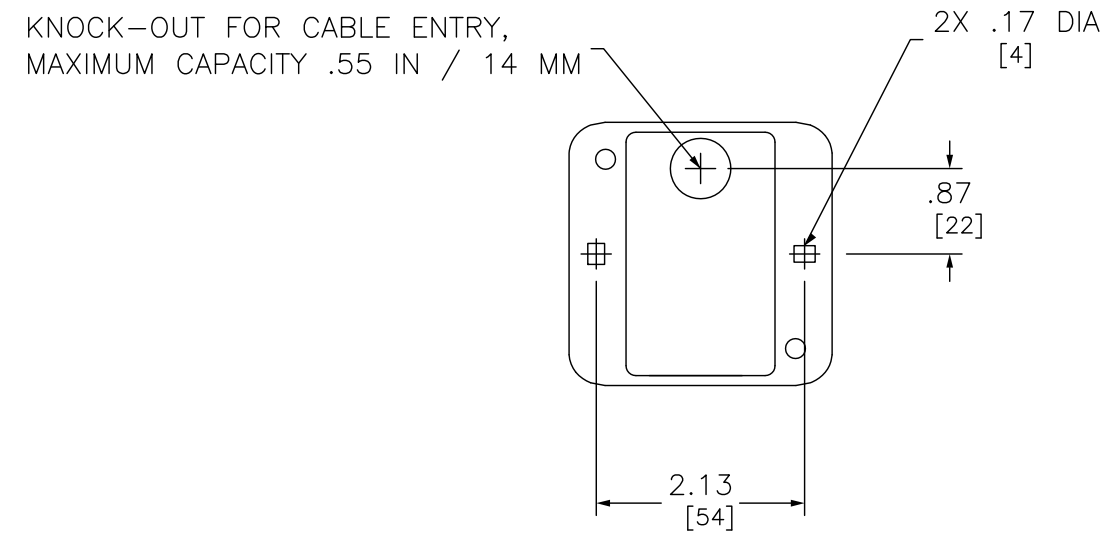


FRONT



RIGHT



BACK

DUAL DIMENSIONS: INCHES
MILLIMETERS

PUSH BUTTON ENCLOSURE 600VAC 10A XALB SP

SQUARE D[™]
by Schneider Electric

DWG# XALK178EH7
NO.