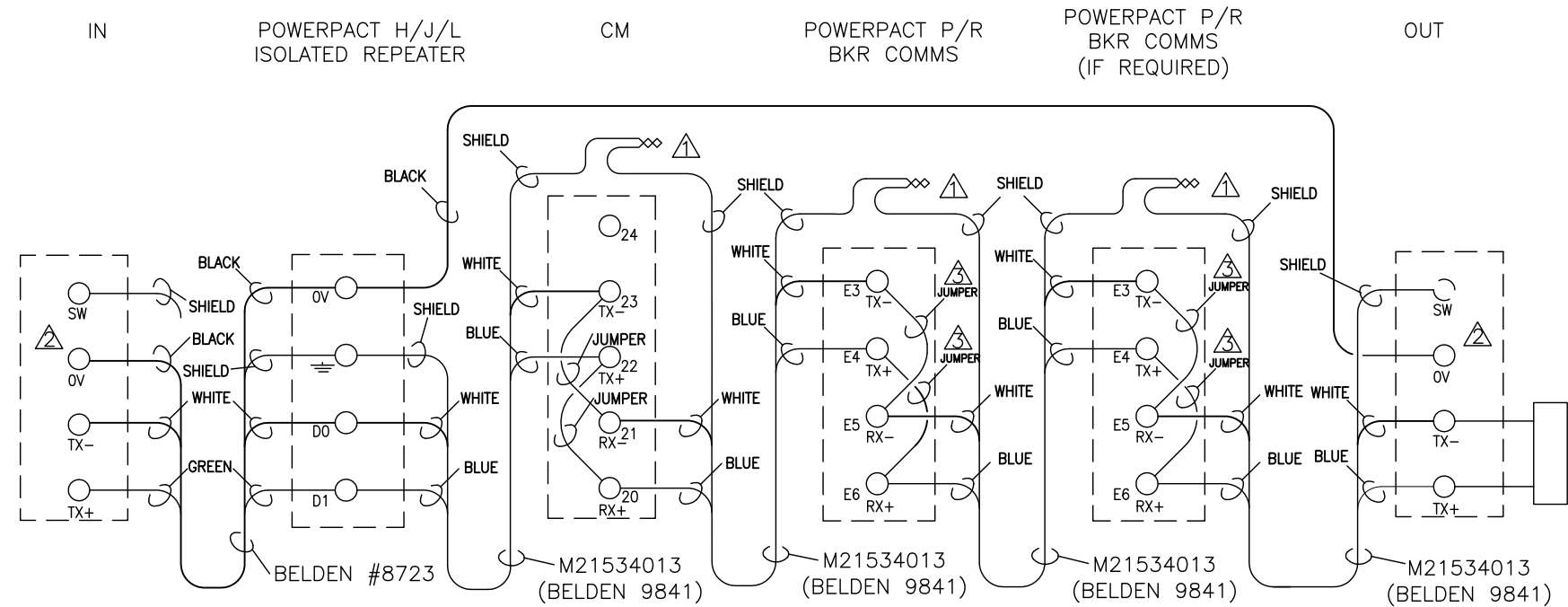
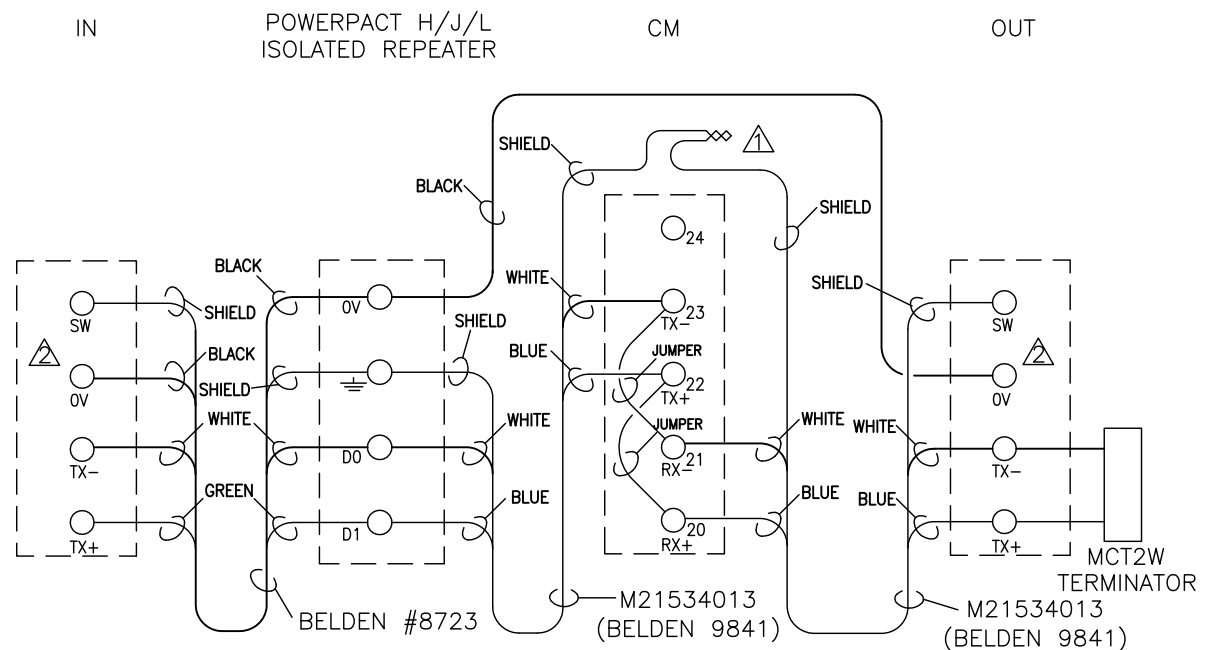


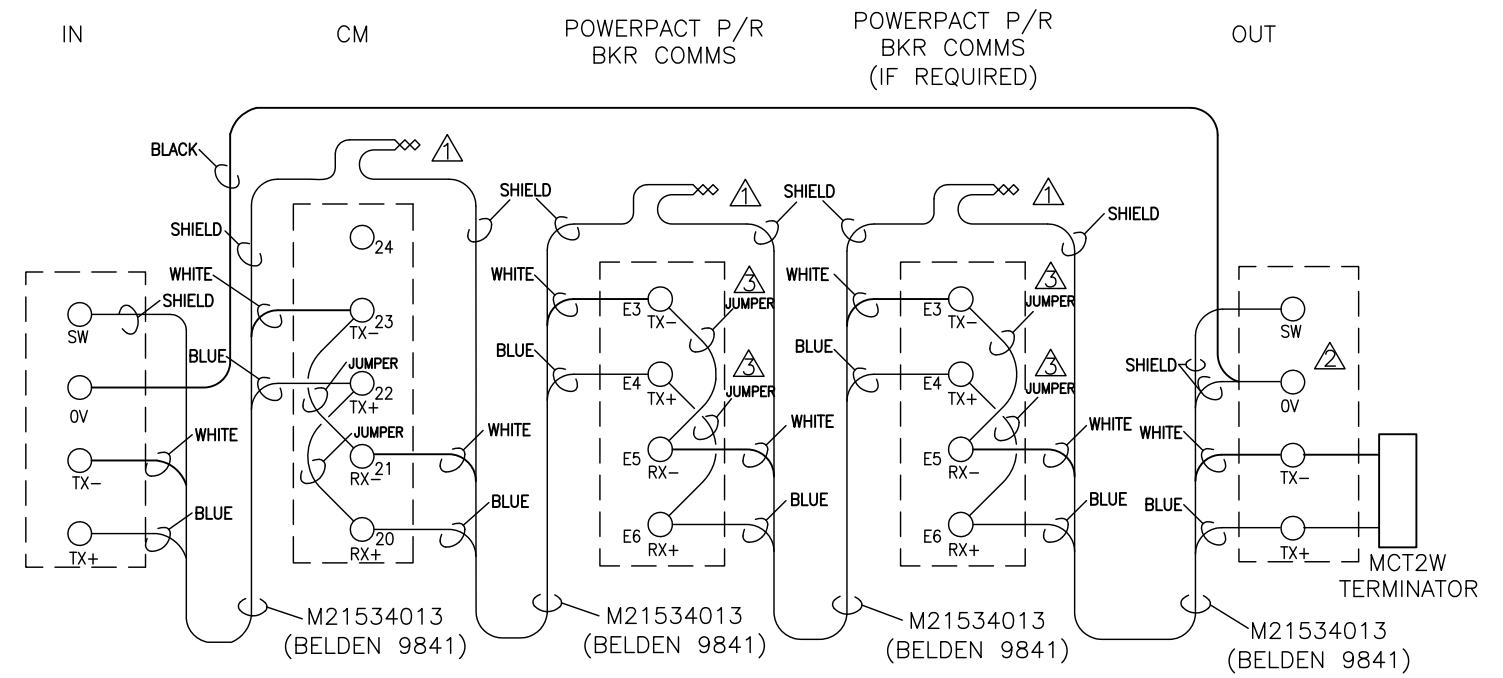
WITH POWERPACT H/J/L, P/R BCM, AND CIRCUIT MONITOR



WITH POWERPACT H/J/L, AND CIRCUIT MONITOR

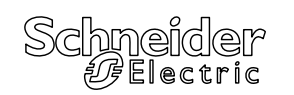


WITH P/R BCM AND CIRCUIT MONITOR



- NOTES:
- ⚠ TWIST SHIELDS TOGETHER, FOLD BACK AGAINST THE OUTER INSULATION, AND HEAT SHRINK OR TAPE SHIELDS AND CABLES.
  - ⚠ OV IS REQUIRED FOR POWERPACT H/J/L WITH IFM'S THIS TERMINAL IS TO BE USED WHEN HAVING IFM'S IN TWO OR MORE PANELBOARDS CONNECTED TO THE SAME MODBUS NETWORK.
  - ⚠ THE JUMPERS THAT CONNECT TERMINALS E3 TO E5, AND TERMINALS E4 TO E6, ARE NOT REQUIRED WHEN AN FDM IS CONNECTED TO THE P/R BCM.

COMMS WIRING CIRCUIT MONITOR  
2 WIRE MODBUS SERIAL RS485



DWG# WD10016  
NO.