

WEIGHT/HEAT REJECTION

SYSTEM KVA	STS VOLTAGE	STS $\triangle 4$		PMM $\triangle 4$		TOTAL BTU/HR
		WT.(LBS.)	BTU/HR	WT.(LBS.)	BTU/HR	
30	208	860	1800	1170	2800	4600
30	480	860	900	1170	2800	3700
50	208	860	3300	1280	4100	7400
50	480	860	1300	1280	4100	5400
75	480	860	2000	1620	5200	7200
100	480	860	2800	1670	5800	8600
125	480	860	3800	2030	6500	10300
150	480	860	4800	2240	7300	12100

TABLE 2  
INPUT POWER CONNECTIONS RECOMMENDED  $\triangle 8$

STS RATING (AMPS)	# OF CABLES PER			MIN. CABLE SIZE (75°C CU)	CABLE LUG (SUPPLIED)	CONDUIT HOLE DIA. (QTY)
	PHASE	NEUTRAL	GROUND			
200	1	2	1	#4/0 AWG	#4/0, 3/8" STUD	2 1/2" (3)

- $\triangle 14$ . THIS CABLE TRAY IS REQUIRED FOR ALL TOP ENTRY UNITS TO PREVENT DAMAGE TO PCBA'S & TO KEEP CONTROL CIRCUITS AWAY FROM POWER CIRCUITS. IT CAN TEMPORARILY BE REMOVED TO AID IN PULLING CABLES BUT CAN NOT BE LEFT OUT. IT ACTS AS A PROTECTIVE BARRIER AND OUTPUT CABLE TRAY. SYSTEM WARRANTY IS VOID IF LEFT OUT. FURTHERMORE, LEAVING IT OUT CAN CAUSE SUSTEM MALFUNCTIONS OR FAILURE.
- $\triangle 13$ . USE SEPARATE CONDUITS ON EACH STS SOURCE INPUT. SEE TABLE 2 FOR CABLE SIZING.
- 12. STS SWITCHES STANDARD, CIRCUIT BREAKERS OPTIONAL.
- 11. WHEN MAKING INPUT CONNECTIONS, MAKE SURE THAT THE EXISTING CONTROL WIRING ARE KEPT IN PLACE.
- $\triangle 10$ . INPUT NEUTRAL BUSBAR IN PMM CABINET IS ONLY PROVIDED ON TRANSFORMERLESS PMM MODELS. IF USED, CONNECT NEUTRAL CABLES AS SHOWN.
- 9. IF OPTIONAL J-BOX IS SUPPLIED, REFER TO SEPARATE INSTALLATION DRAWINGS.
- 8. ALL CABLE CONNECTIONS ARE BASED ON CUSTOMER SUPPLIED COPPER WIRE RATED 75° C.
- $\triangle 7$ . INTERCONNECT PROVIDED BY MGE, CONNECTED BY CUSTOMER. FOR CABINET INTERCONNECT SEE DETAIL - K.
- $\triangle 6$ . CUSTOMER TO REMOVE AND CUT HOLES IN CONDUIT PLATE AS REQUIRED.
- 5. FOLLOW THE NEC (NATIONAL ELECTRICAL CODE) AND OTHER APPLICABLE LOCAL CODES.
- $\triangle 4$ . HEAT LOSS BASED ON FULL RESISTIVE LOAD CAN VARY +/-10% UNDER DIFFERENT LOAD CONDITIONS.
- $\triangle 3$ . 6.00 INCHES REAR CLEARANCE IS REQUIRED FOR VENTILATION. 36.00 INCHES FRONT CLEARANCE FOR MAINTENANCE.
- 2. REFER TO OWNERS MANUAL FOR INSTALLATION AND OPERATING INSTRUCTIONS.
- 1. COLOR: LIGHT GREY.

NOTES: UNLESS OTHERWISE SPECIFIED.

SINGLE LINE DIAGRAM

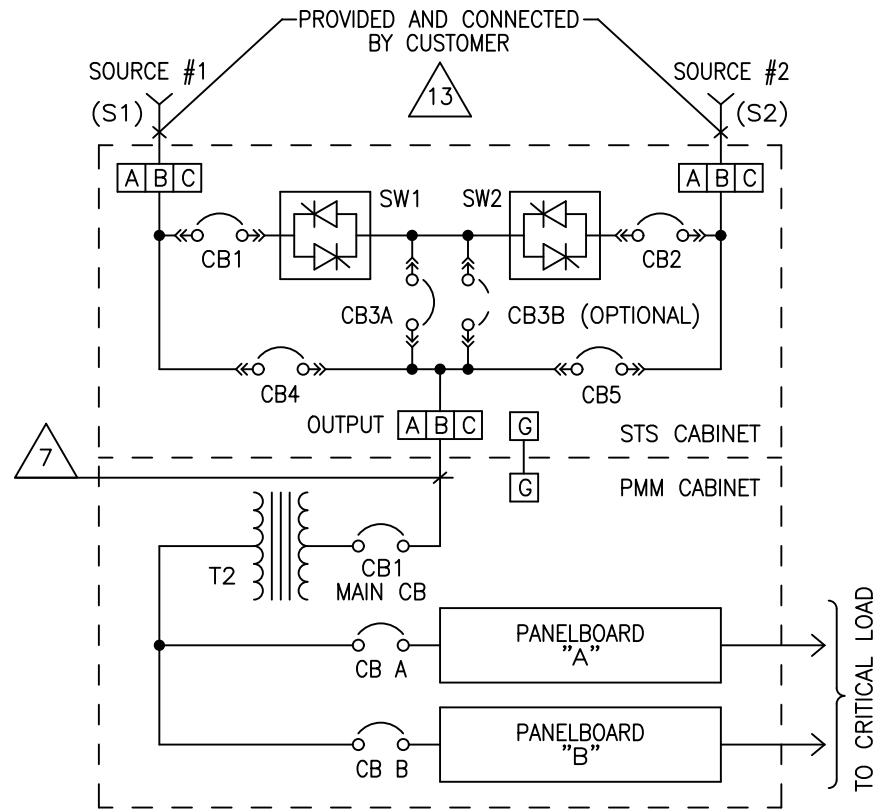
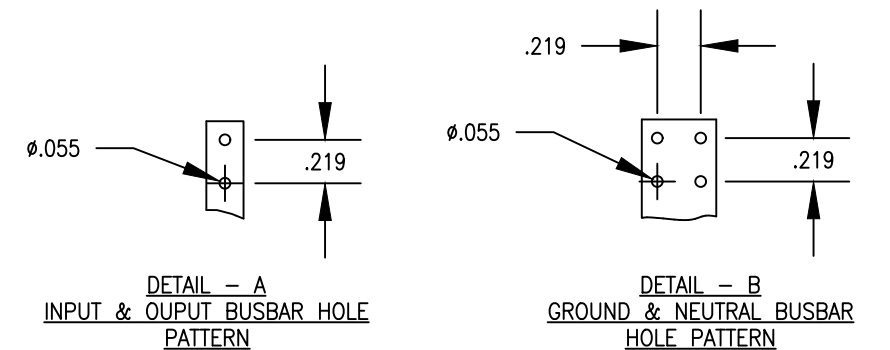
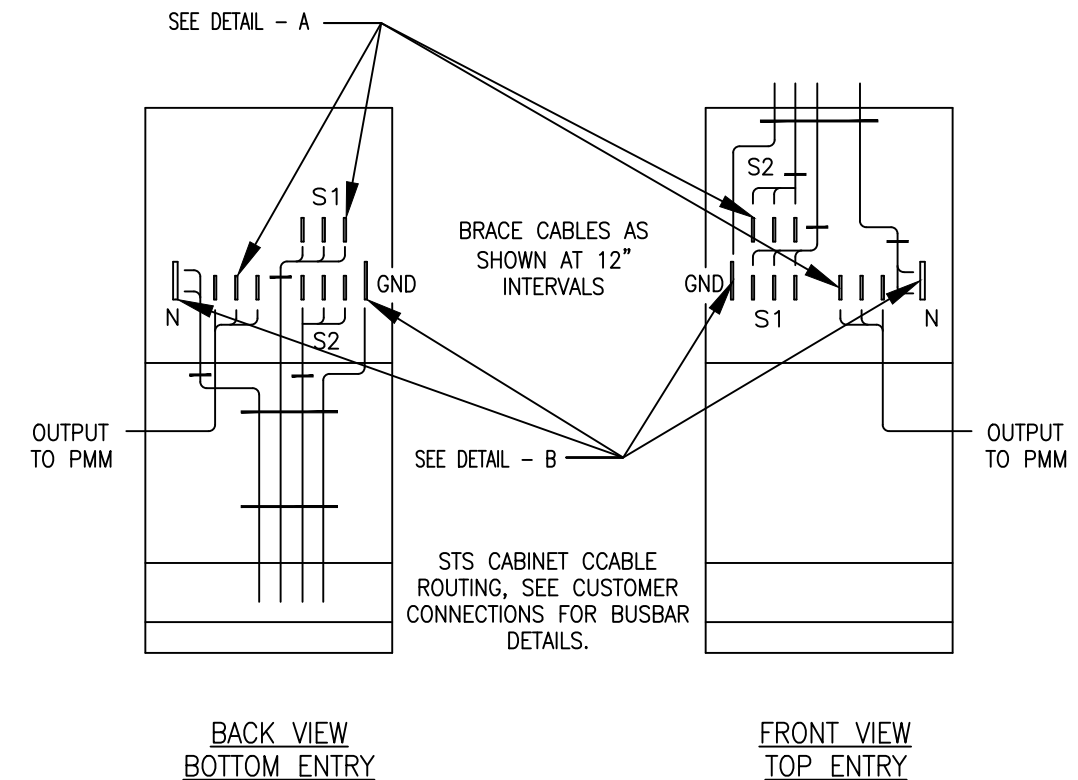


TABLE 3  
OUTPUT POWER CONNECTIONS

TRIP AMPS	WIRE CONNECTIONS
10 - 30	#14 - 8
35 - 70	#8 - 2
80 - 125	#4 - 2/0



CUSTOMER CONNECTIONS



THIS DRAWING AND SPECIFICATIONS HEREIN ARE THE PROPERTY OF SCHNEIDER ELECTRIC AND SHALL NOT BE COPIED, REPRODUCED OR USED IN WHOLE OR IN PART, AS THE BASIS FOR THE MANUFACTURE OR SALE OF ITEMS WITHOUT WRITTEN PERMISSION FROM SCHNEIDER ELECTRIC. THIS DRAWING IS BASED UPON LATEST AVAILABLE INFORMATION AND IS SUBJECT TO CHANGE WITHOUT NOTICE.



TITLE:  
MGE POWER MANAGEMENT MODULE  
SYSTEM 084 PMM PLUS 200A STS  
INSTALLATION DRAWING

PROJECT: STD SUBMITTAL DRAWINGS SHEET 1 OF 4

DWG NO: 90-505007-00

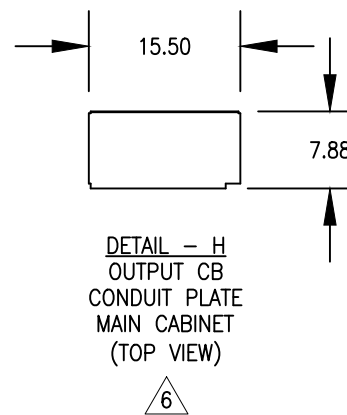
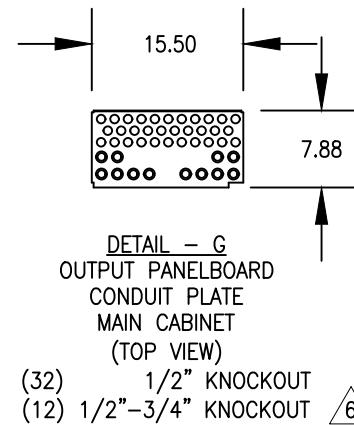
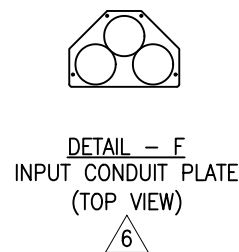
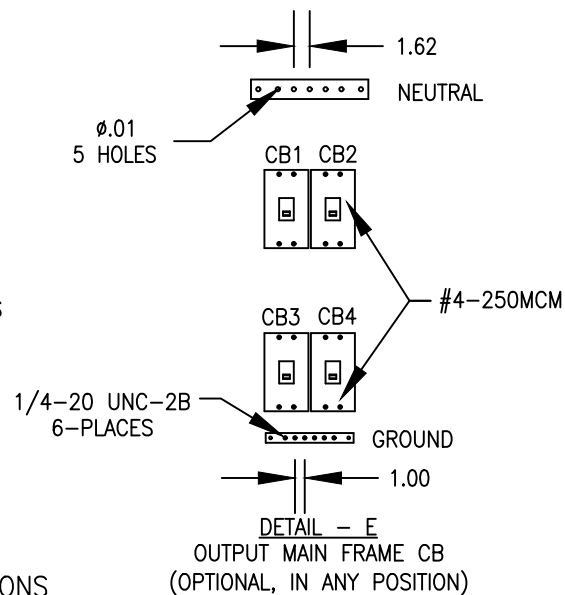
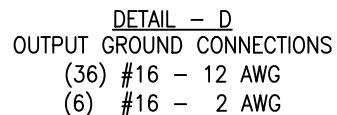
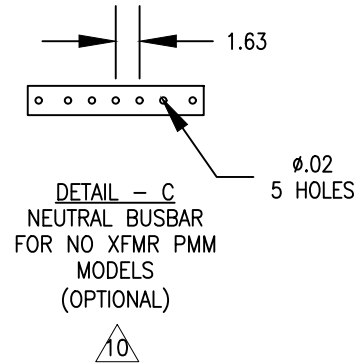
REV. 3

DRAWN: JRS 14-JAN-02

ENGINEER: J CHEN 14-JAN-02

APPROVED: I KENNEDY 14-JAN-02

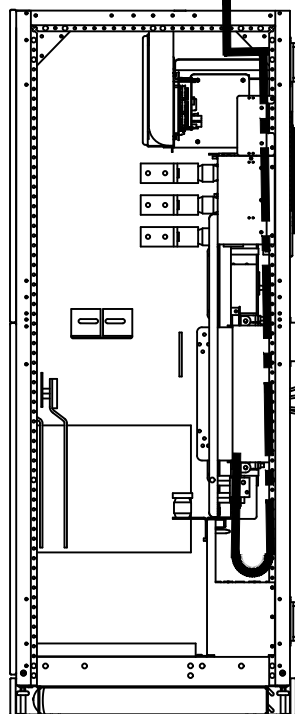
PROJ. ANGLE N/A



BUSBAR/CIRCUIT BREAKER CUSTOMER CONNECTIONS

CONDUIT PLATES  
SEE SHT 3 FOR TOP CONDUIT LANDING LOCATIONS

TOP EXIT SUGGESTED  
CABLE ROUTING FOR  
OUTPUT PANELBOARDS  
IN POSITION 'A' & 'B'



LEFT VIEW  
SUGGESTED TOP INPUT  
(SHOWING NO INPUT ISOLATION  
TRANSFORMER OPTION)  
(STS CABINET HIDDEN FOR CLARITY)

TOP EXIT SUGGESTED CABLE ROUTING  
FOR OUTPUT PANEL BOARD IN POSITION 'A'

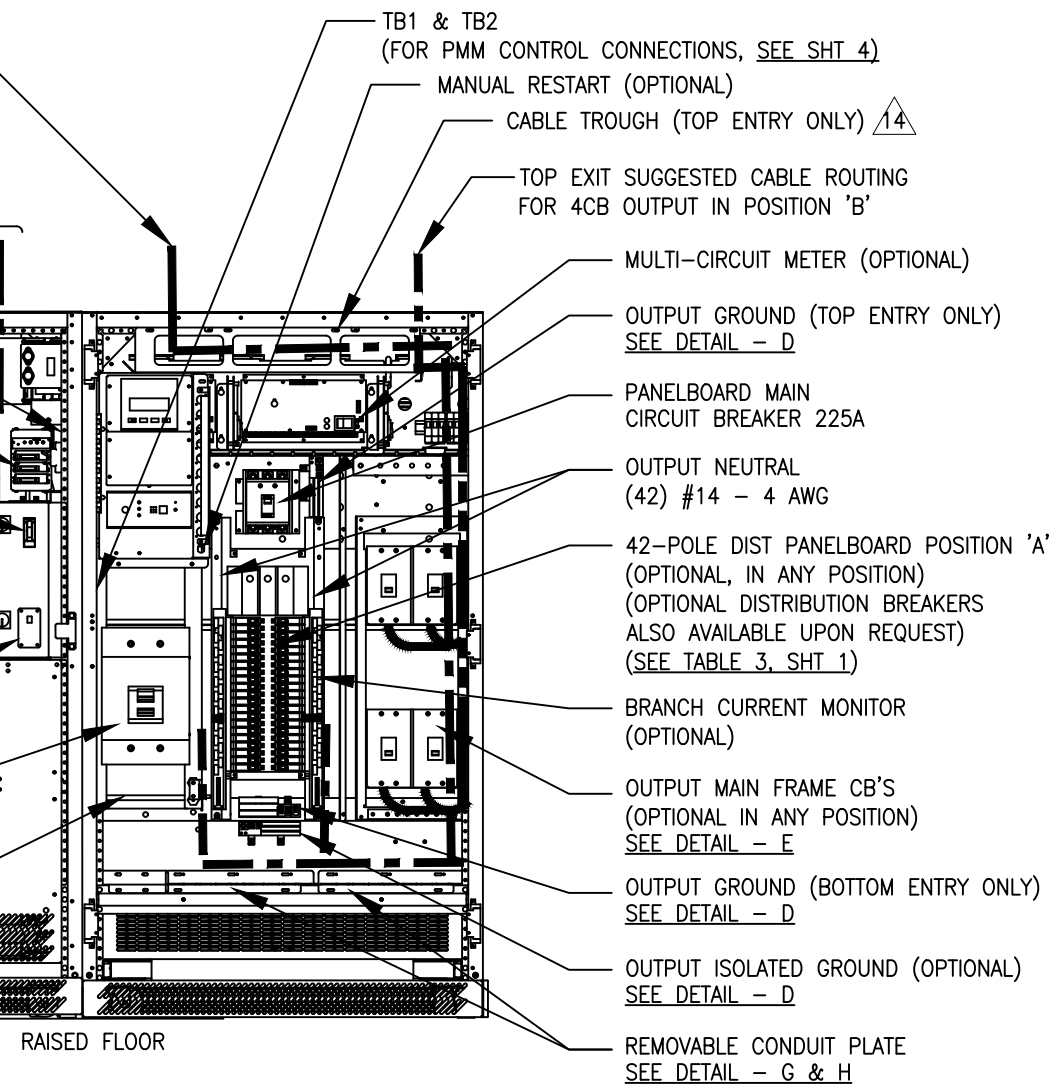
FROM SOURCE #1 & #2 FOR TOP  
ENTRY OPTION,  
SEE SHT 1 FOR STS  
CABLE ROUTING

- TB1(SEE STS CONTROL CONNECTIONS, SHT 4)
- RELAY CONTACT I/O AND COMMUNICATION CARDS (SEE STS CONTROL CONNECTIONS, SEE SHT 4)
- CB3A OUTPUT CB
- CB4 MAINTENANCE BYPASS CB (S1)
- CB1 INPUT CB (S1)
- KEYED INTERLOCKS (2-INTERLOCKS STANDARD, 4-INTERLOCKS OPTIONAL)
- CB2 INPUT CB (S2)
- CB5 MAINTENANCE BYPASS CB (S2)
- CB3 OUTPUT CB (OPTIONAL)
- INPUT MAIN FRAME CB1 CIRCUIT BREAKER SEE CUSTOMER POWER WIRING CONNECTIONS (SEE SHT 3)

10 INPUT NEUTRAL BUSBAR (OPTIONAL) SEE DETAIL - C

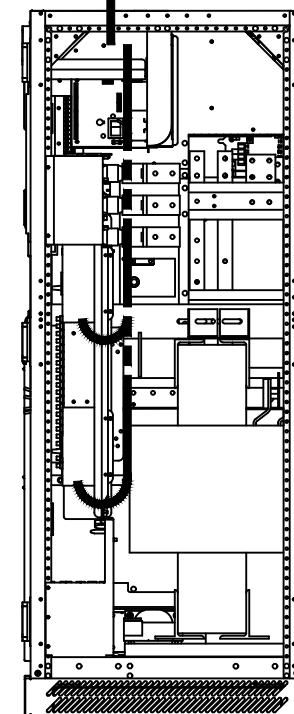
INPUT CONDUIT PLATE SEE DETAIL - F

9 INPUT POWER JUNCTION BOX, 2X WITH 10 FT INPUT CABLE (OPTIONAL)



FRONT VIEW  
PANELBOARDS A & B AND 4CB OUTPUT  
SUGGESTED CABLE ROUTING &  
COMPONENT LOCATION

TOP EXIT SUGGESTED CABLE ROUTING FOR 4CB OUTPUT IN POSITION 'B'



RIGHT VIEW  
SUGGESTED TOP OUTPUT  
ROUTE FOR 4CB OPTION  
(SHOWING INPUT ISOLATION  
TRANSFORMER OPTION)

NOTES: UNLESS OTHERWISE SPECIFIED.

THIS DRAWING AND SPECIFICATIONS HEREIN ARE THE PROPERTY OF SCHNEIDER ELECTRIC AND SHALL NOT BE COPIED, REPRODUCED OR USED IN WHOLE OR IN PART, AS THE BASIS FOR THE MANUFACTURE OR SALE OF ITEMS WITHOUT WRITTEN PERMISSION FROM SCHNEIDER ELECTRIC. THIS DRAWING IS BASED UPON LATEST AVAILABLE INFORMATION AND IS SUBJECT TO CHANGE WITHOUT NOTICE.



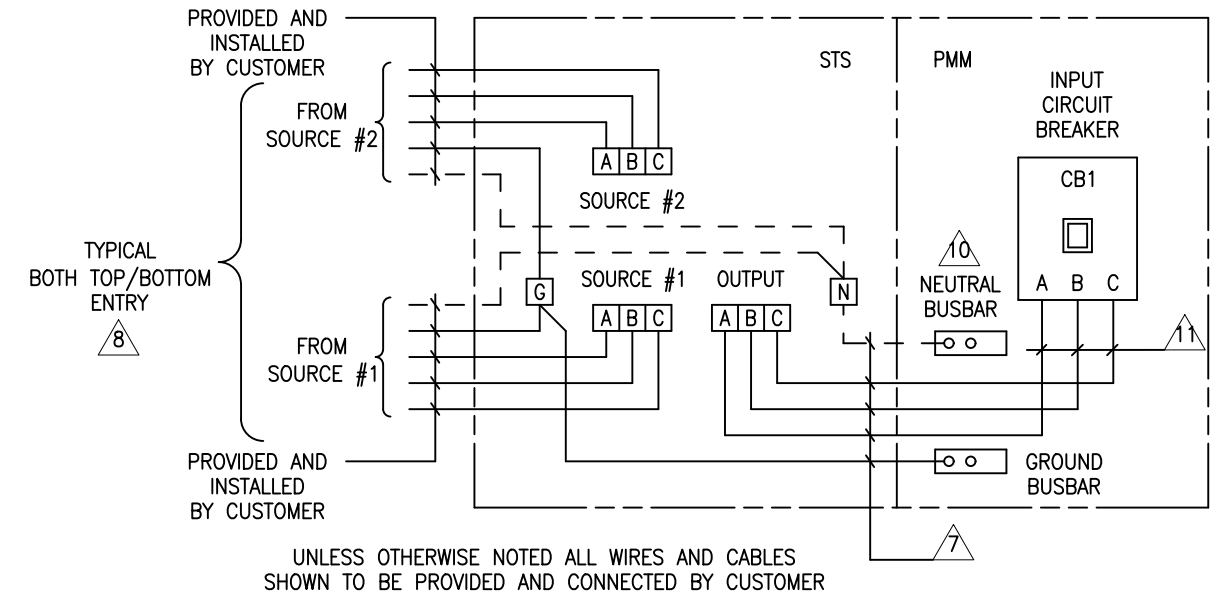
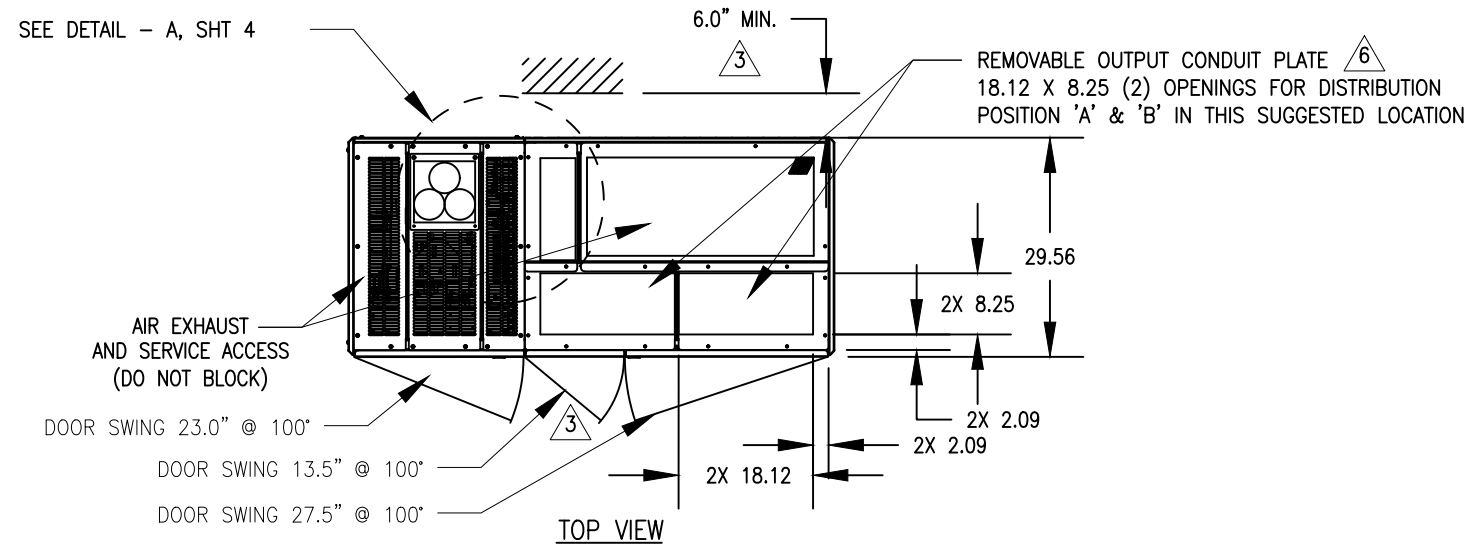
TITLE:  
MGE POWER MANAGEMENT MODULE  
SYSTEM 084 PMM PLUS 200A STS  
INSTALLATION DRAWING

PROJECT: STD SUBMITTAL DRAWINGS SHEET 2 OF 4

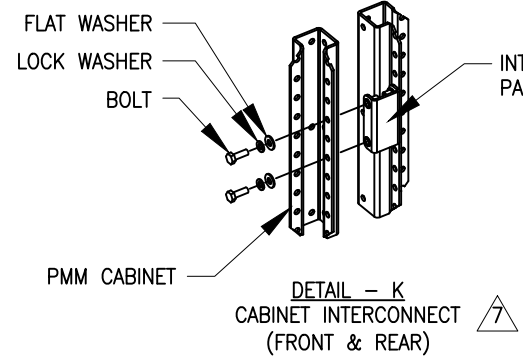
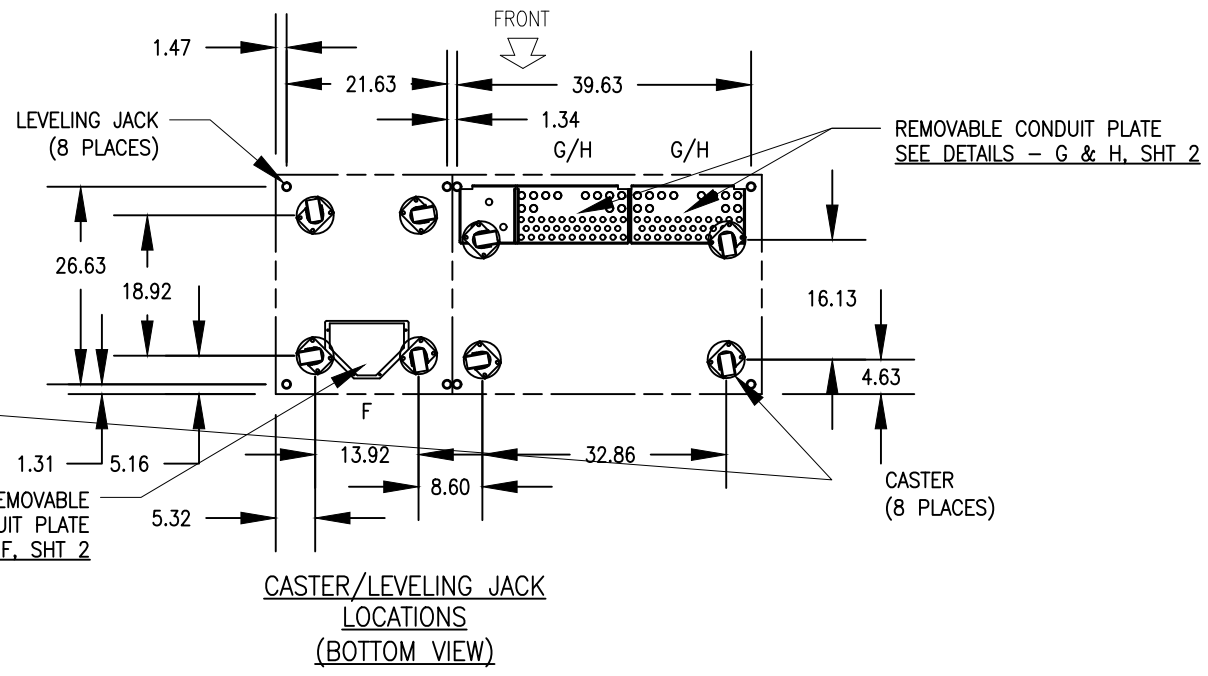
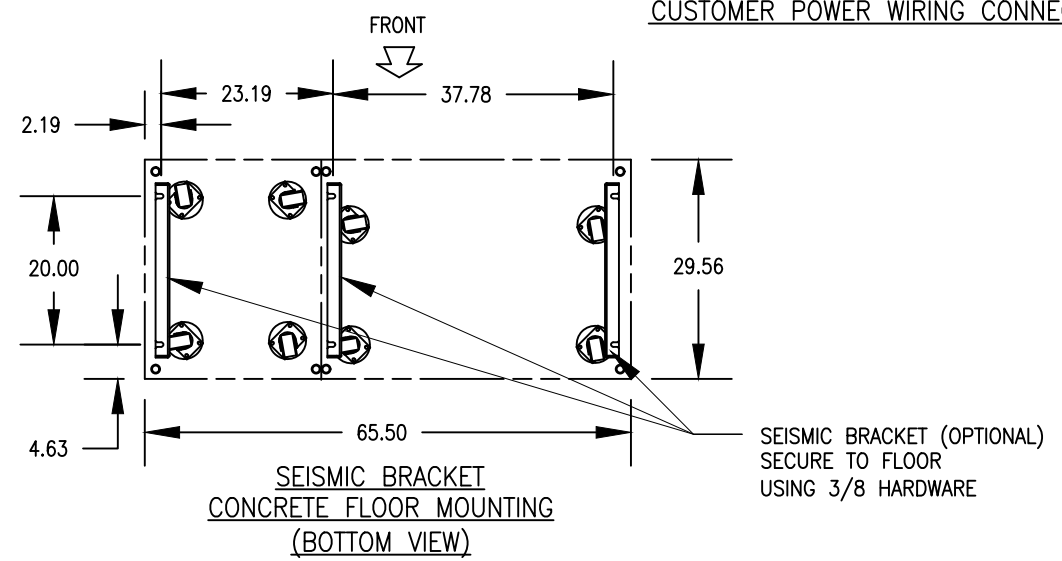
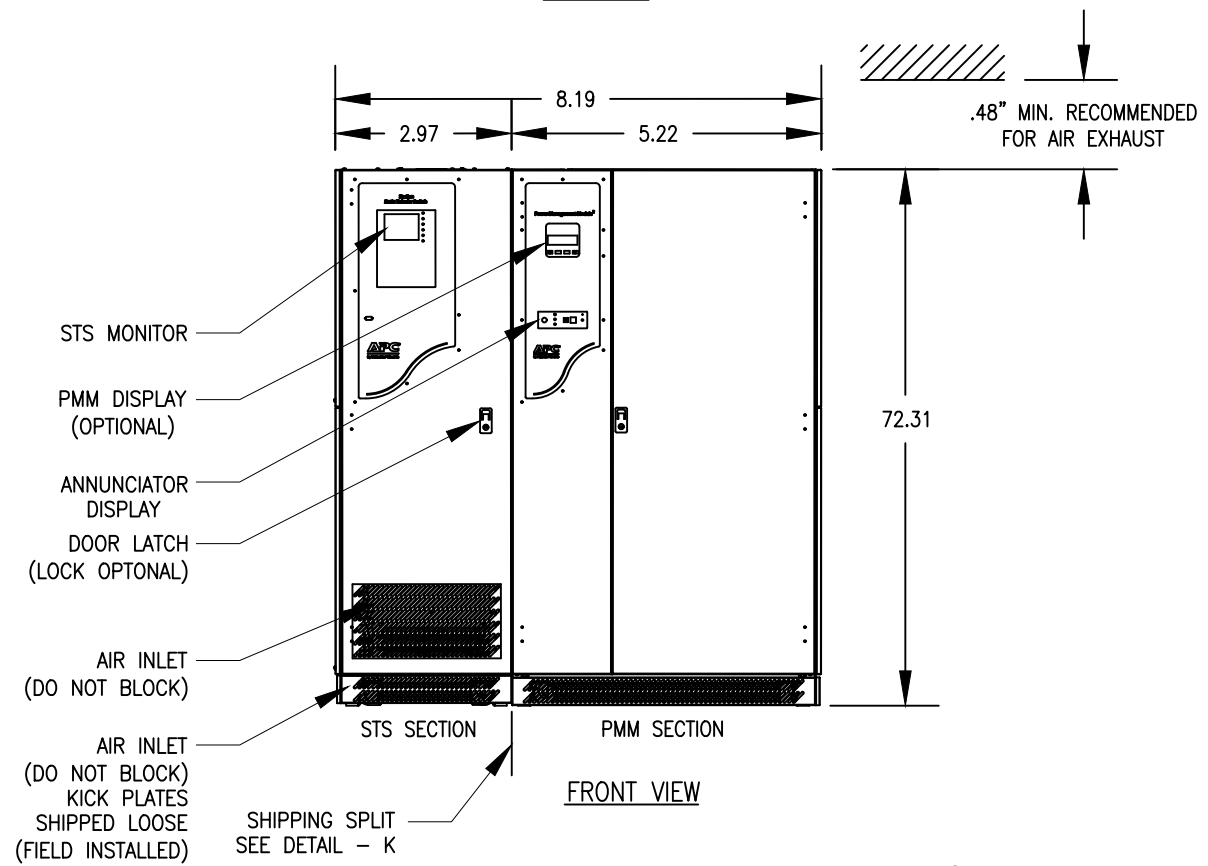
DWG NO: 90-505007-00  
DRAWN: JRS 14-JAN-02  
ENGINEER: J CHEN 14-JAN-02  
APPROVED: I KENNEDY 14-JAN-02

REV. 2  
THIRD ANGLE PROJ.

SYSTEM DIMENSIONS & COMPONENT LOCATIONS



CUSTOMER POWER WIRING CONNECTIONS



NOTES: UNLESS OTHERWISE SPECIFIED.

THIS DRAWING AND SPECIFICATIONS HEREIN ARE THE PROPERTY OF SCHNEIDER ELECTRIC AND SHALL NOT BE COPIED, REPRODUCED OR USED IN WHOLE OR IN PART, AS THE BASIS FOR THE MANUFACTURE OR SALE OF ITEMS WITHOUT WRITTEN PERMISSION FROM SCHNEIDER ELECTRIC. THIS DRAWING IS BASED UPON LATEST AVAILABLE INFORMATION AND IS SUBJECT TO CHANGE WITHOUT NOTICE.

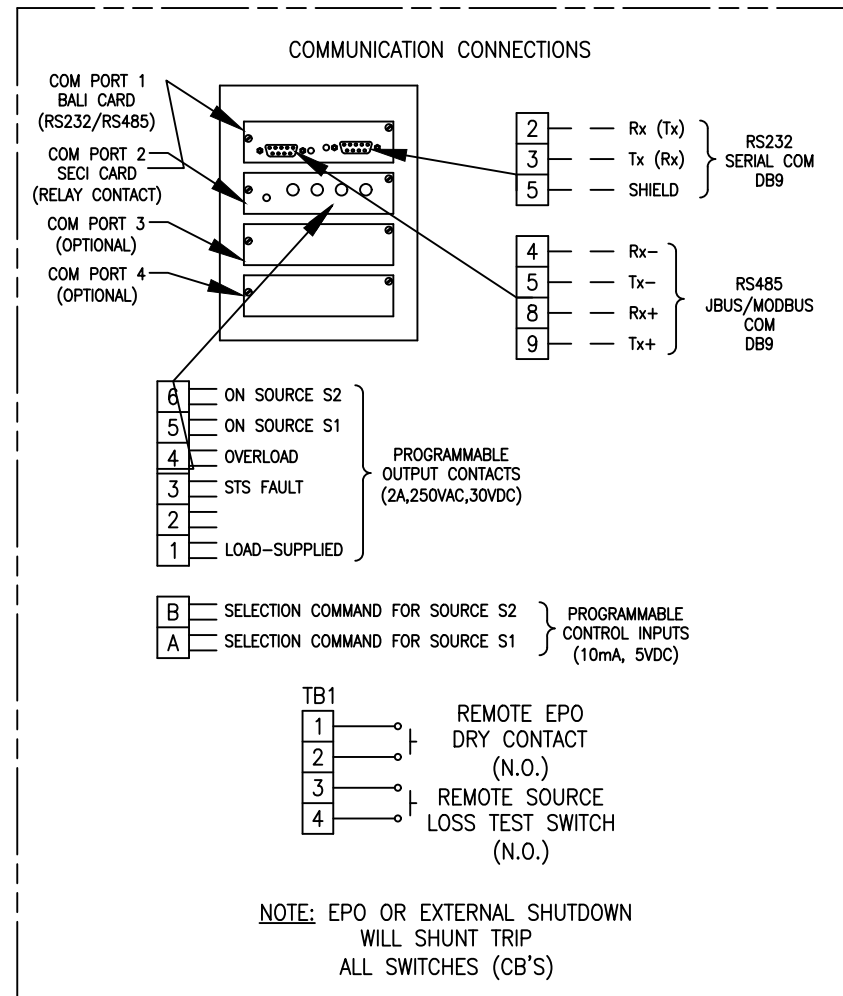


TITLE: MGE POWER MANAGEMENT MODULE SYSTEM 084 PMM PLUS 200A STS INSTALLATION DRAWING  
 PROJECT: STD SUBMITTAL DRAWINGS SHEET 3 OF 4

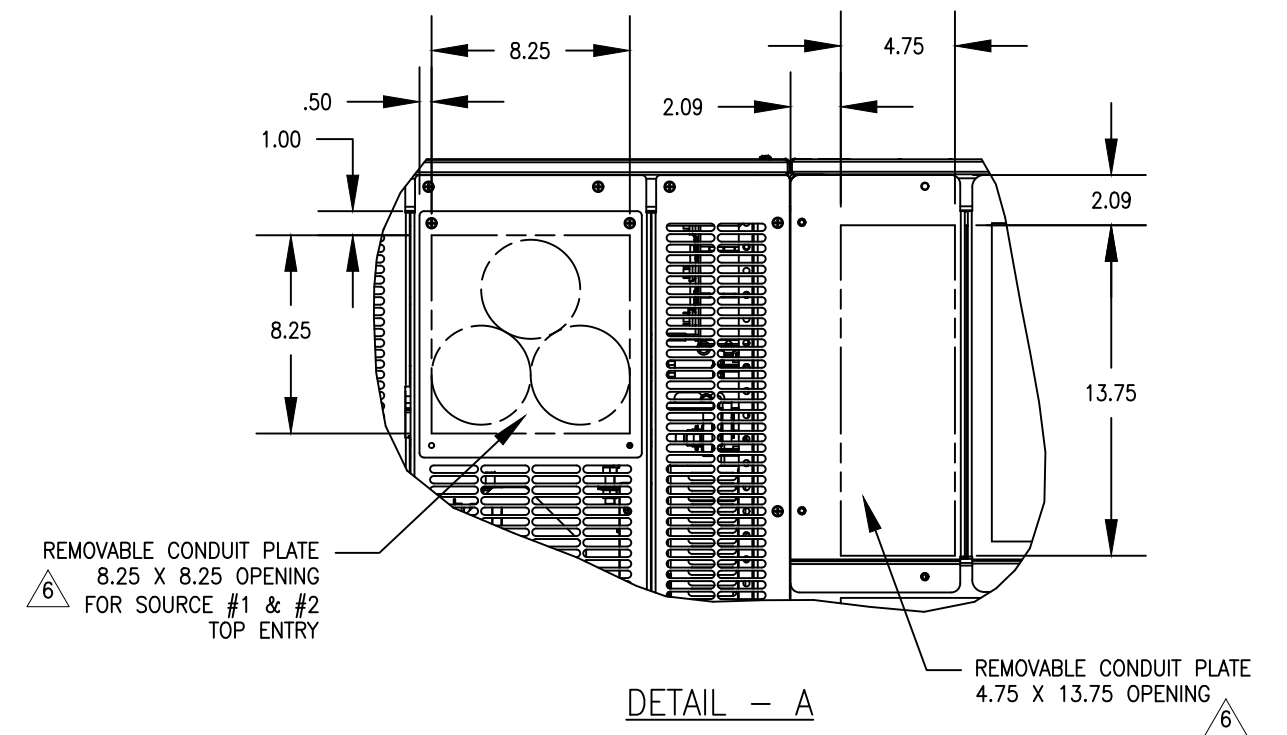
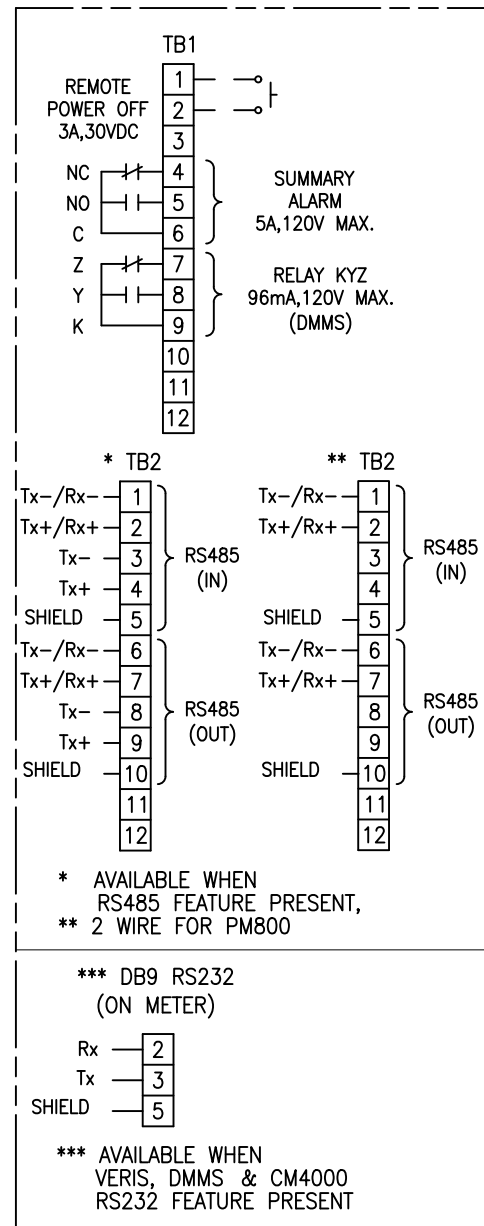
DWG NO: 90-505007-00  
 DRAWN: JRS 14-JAN-02  
 ENGINEER: J CHEN 14-JAN-02  
 APPROVED: I KENNEDY 14-JAN-02

REV. 2  
 PROJ. ANGLE N/A

### STS CONTROL CONNECTIONS



### PMM CONTROL CONNECTIONS



NOTES: UNLESS OTHERWISE SPECIFIED.

THIS DRAWING AND SPECIFICATIONS HEREIN ARE THE PROPERTY OF SCHNEIDER ELECTRIC AND SHALL NOT BE COPIED, REPRODUCED OR USED IN WHOLE OR IN PART, AS THE BASIS FOR THE MANUFACTURE OR SALE OF ITEMS WITHOUT WRITTEN PERMISSION FROM SCHNEIDER ELECTRIC. THIS DRAWING IS BASED UPON LATEST AVAILABLE INFORMATION AND IS SUBJECT TO CHANGE WITHOUT NOTICE.

**Schneider Electric**

TITLE:  
MGE POWER MANAGEMENT MODULE  
SYSTEM 084 PMM PLUS 200A STS  
INSTALLATION DRAWING

PROJECT: STD SUBMITTAL DRAWINGS SHEET 4 OF 4

DWG NO: 90-505007-00 REV. 2

DRAWN: JRS 14-JAN-02

ENGINEER: J CHEN 14-JAN-02

APPROVED: I KENNEDY 14-JAN-02

PROJ. ANGLE N/A

SHT	DRAWING NUMBER	REVISION								REVISION DESCRIPTION	REVISION INITIATED BY (ECO/ENGR)	REVISION APPROVED BY
		2										
1	90-505007-00_1	11/23/2010								SE TEMPLATE INCORPORATED	E.D.	E.D.
2	90-505007-00_2	11/23/2010								SE TEMPLATE INCORPORATED	E.D.	E.D.
3	90-505007-00_3	11/23/2010								SE TEMPLATE INCORPORATED	E.D.	E.D.
4	90-505007-00_4	11/23/2010								SE TEMPLATE INCORPORATED	E.D.	E.D.

NOTE:  
SEE BELOW FOR PREVIOUS REVISIONS.

REVISIONS			
REV	DESCRIPTION	DATE	APPROVED
A00	NEW RELEASE ECN-002680	6/12/2002	I KENNEDY
B00	REVISED PER ECN-002822	8/21/2002	I KENNEDY
C00	REVISED PER ECN-003493	6/6/2005	I KENNEDY
1	REVISED PER ECO BR-3819	10/1/2009	RH
3	REVISED PER XFMR CHANGE	3/27/2017	G. RAMIREZ

FILE: 90-505007-00REV3	INITIALLY DRAWN BY: JRS	FILE REV: 3
INITIAL RELEASE: 14-JAN-02	INITIALLY APPROVED BY: JC/IK	DATE: 27-MAR-17