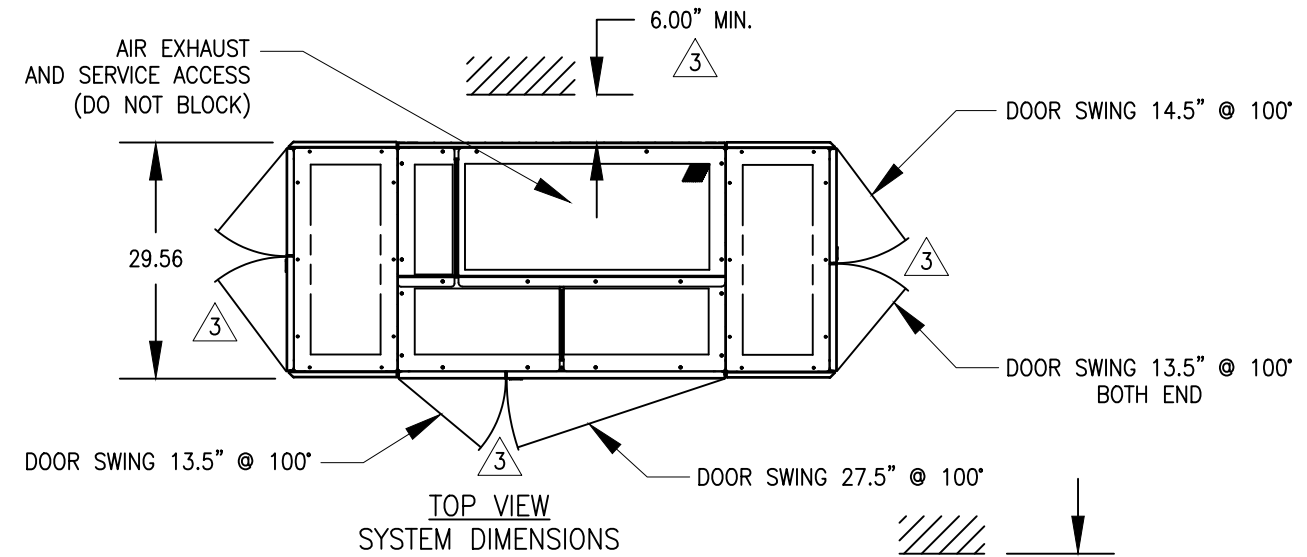


TABLE 1:
INPUT POWER CONNECTIONS/WEIGHT/HEAT REJECTION

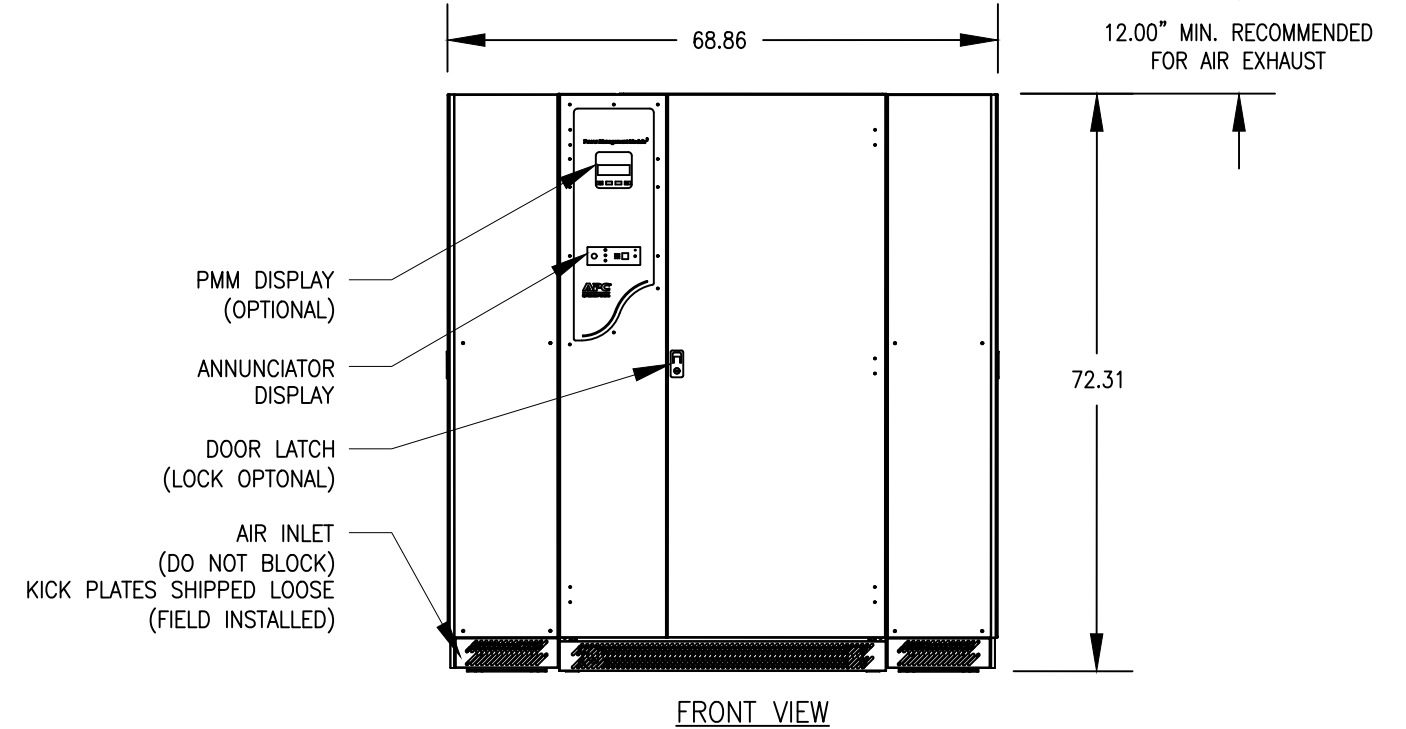
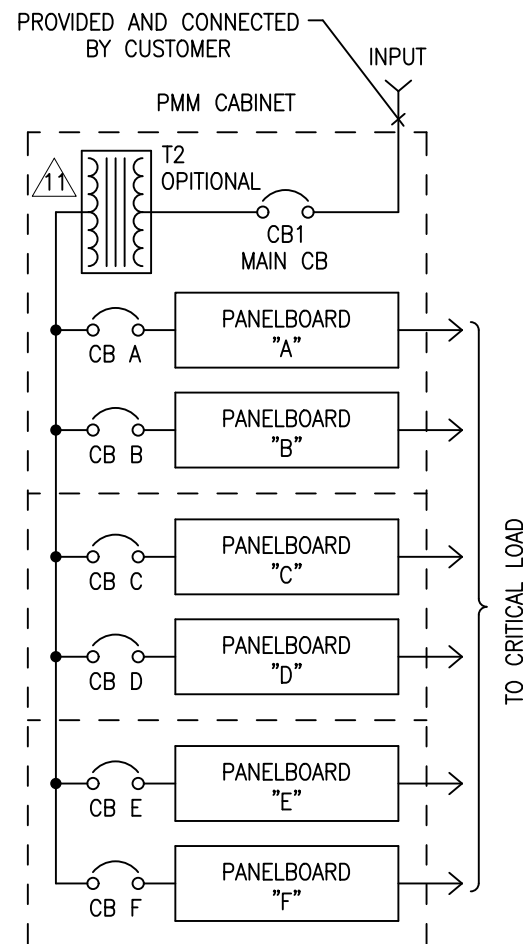
SYSTEM KVA	INPUT VOLTS	INPUT CIRCUIT BREAKER			WT.(LBS.)	BTU/HR	
		TRIP AMPS	CONNECTOR LUG WIRE RANGE				CONDUIT SIZE
			STANDARD CB	HI-INTERRUPT CB			
100	480	150	(1) #4 - 350	(1) #4 - 350	2	2200	5800
125	480	200	(1) #4 - 350	(1) 1/0 - 350	2	2600	6500
125	600	150	(1) #4 - 350	(1) #4 - 350	2	2600	6500
150	380	300	(1) #1 - 600	(3) 3/0 - 500	(2) 2 1/2	2990	7300
150	480	225	(1) #4 - 350	(1) 1/0 - 350	2	2810	7300
150	600	200	(1) #4 - 350	(1) 1/0 - 350	2	2810	7300
200	480	350	(1) #1 - 600	(3) 3/0 - 500	(2) 2 1/2	3060	9700
225	380	450	(3) 3/0 - 500	(3) 3/0 - 500	(2) 2 1/2	3360	9800
225	480	400	(1) #1 - 600	(3) 3/0 - 500	(2) 2 1/2	3240	9800
225	600	300	(1) #1 - 600	(3) 3/0 - 500	(2) 2 1/2	3240	9800
300	480	600	(3) 3/0 - 500	(3) 3/0 - 500	(2) 2 1/2	3740	11100

TABLE 2:
OUTPUT POWER CONNECTIONS

TRIP AMPS	WIRE CONNECTIONS
10 - 30	#14 - 8
35 - 70	#8 - 2
80 - 125	#4 - 2/0



SINGLE LINE DIAGRAM



2 THIS CABLE TRAY IS REQUIRED FOR ALL TOP ENTRY UNITS TO PREVENT DAMAGE TO PCBA'S & TO KEEP CONTROL CIRCUITS AWAY FROM POWER CIRCUITS. IT CAN TEMPORARILY BE REMOVED TO AID IN PULLING CABLES BUT CAN NOT BE LEFT OUT. IT ACTS AS A PROTECTIVE BARRIER AND OUTPUT CABLE TRAY. SYSTEM WARRANTY IS VOID IF LEFT OUT. FURTHERMORE, LEAVING IT OUT CAN CAUSE SUSTEM MALFUNCTIONS OR FAILURE.

11 FOR ZIG-ZAG TRANSFORMER OPTION:
PANEL A, C, E CONNECTED TO WINDING 1
PANEL B, D, F CONNECTED TO WINDING 2

10 WHEN MAKING INPUT CONNECTIONS, MAKE SURE THAT THE EXISTING CONTROL WIRING ARE KEPT IN PLACE.

9 INPUT NEUTRAL BUSBAR IS ONLY PROVIDED ON TRANSFORMERLESS MODELS. IF USED, CONNECT NEUTRAL CABLES AS SHOWN.

8 IF OPTIONAL J-BOX IS SUPPLIED, REFER TO SEPARATE INSTALLATION DRAWINGS.

7 ALL CABLE CONNECTIONS ARE BASED ON CUSTOMER SUPPLIED COPPER WIRE RATED 75°C

6 CUSTOMER TO REMOVE AND CUT HOLES IN CONDUIT PLATE AS REQUIRED.

5 FOLLOW THE NEC (NATIONAL ELECTRICAL CODE) AND OTHER APPLICABLE LOCAL CODES.

4 HEAT LOSS BASED ON FULL RESISTIVE LOAD CAN VARY +/-10% UNDER DIFFERENT LOAD CONDITIONS.

3 6.00 INCHES REAR CLEARANCE IS REQUIRED FOR VENTILATION.
36.00 INCHES FRONT AND SIDE CLEARANCE FOR MAINTENANCE.

2 REFER TO OWNERS MANUAL FOR INSTALLATION AND OPERATING INSTRUCTIONS.

1 COLOR:LIGHT GREY.

NOTES: UNLESS OTHERWISE SPECIFIED.

THIS DRAWING AND SPECIFICATIONS HEREIN ARE THE PROPERTY OF SCHNEIDER ELECTRIC AND SHALL NOT BE COPIED, REPRODUCED OR USED IN WHOLE OR IN PART, AS THE BASIS FOR THE MANUFACTURE OR SALE OF ITEMS WITHOUT WRITTEN PERMISSION FROM SCHNEIDER ELECTRIC. THIS DRAWING IS BASED UPON LATEST AVAILABLE INFORMATION AND IS SUBJECT TO CHANGE WITHOUT NOTICE.



TITLE:
MGE POWER MANAGEMENT MODULE
SYSTEM 252 WITH SIDE CABINET PMM
INSTALLATION DRAWING

PROJECT: STD SUBMITTAL DRAWINGS SHEET 1 OF 3

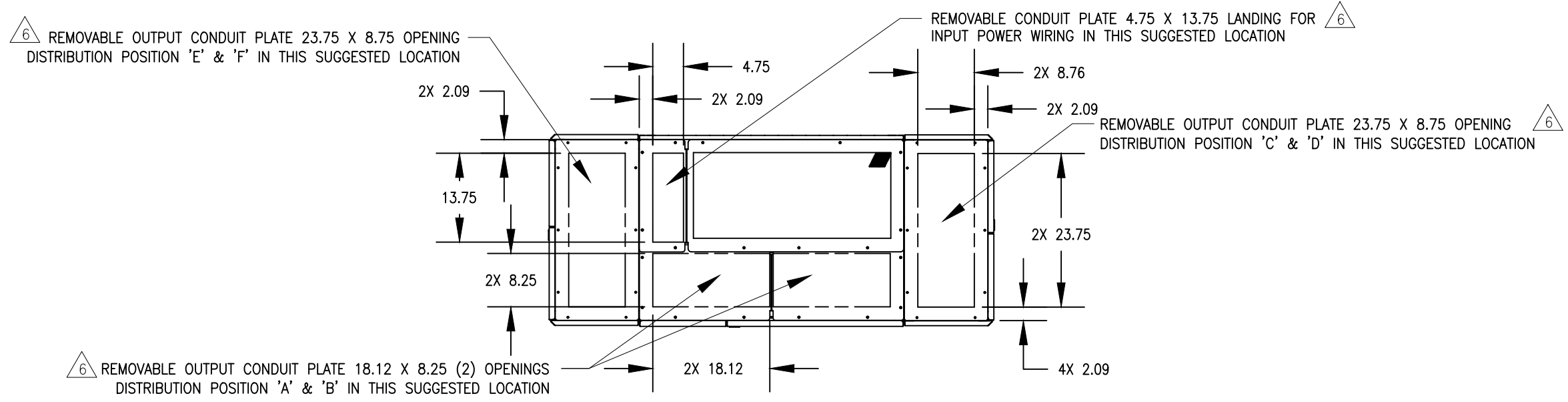
DWG NO: 90-505006-00 REV 5

DRAWN: YRS/S CUNHA/JP 20-JAN-16

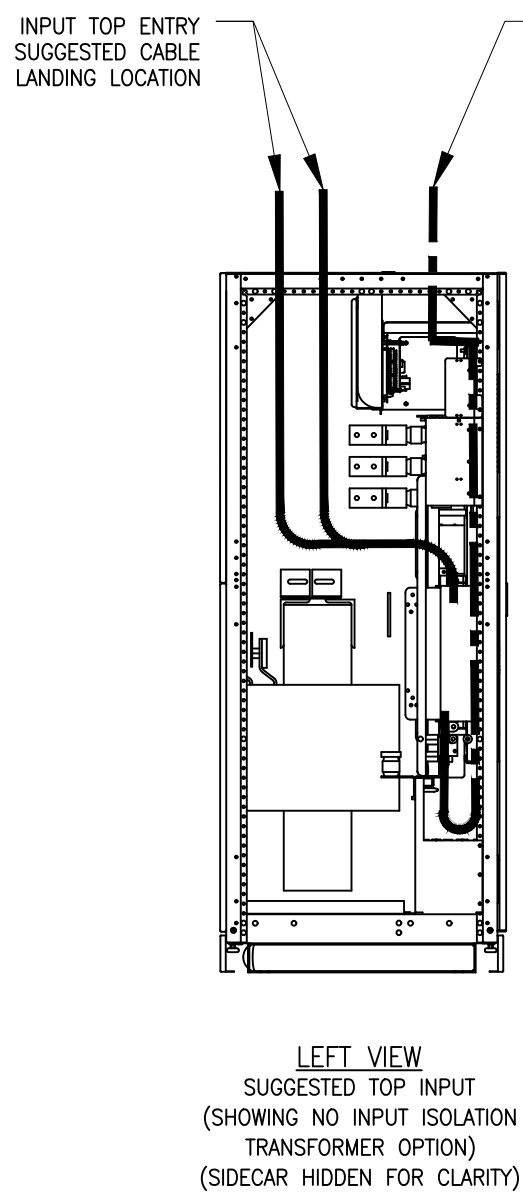
ENGINEER: J CHEN 20-JAN-16

APPROVED: I KENNEDY/M BELIVEAU 20-JAN-16

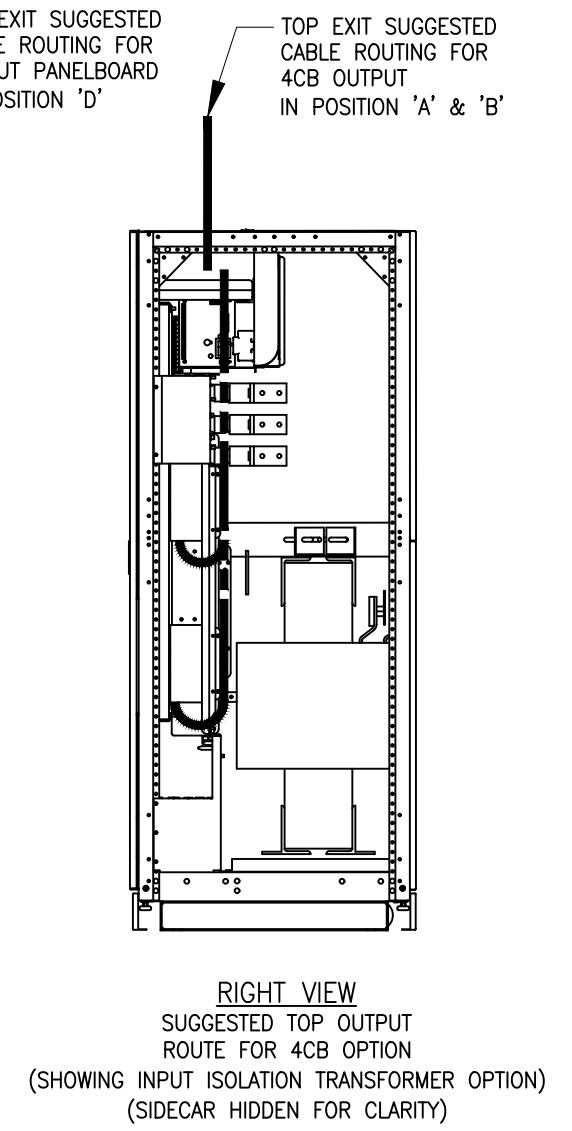
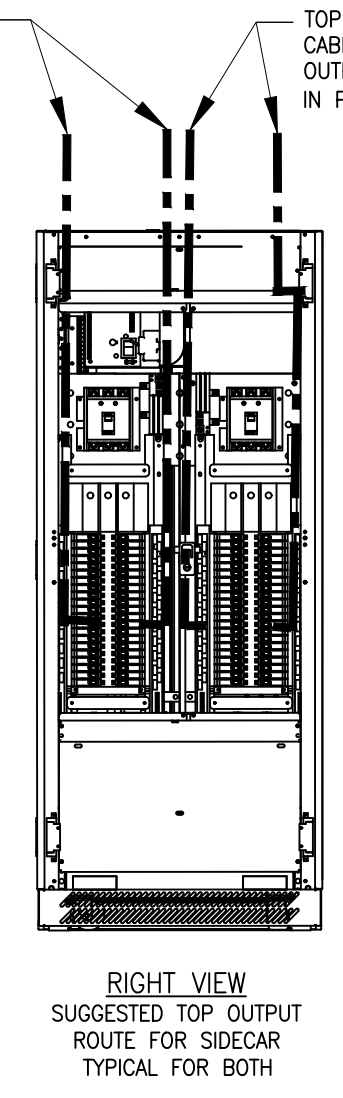
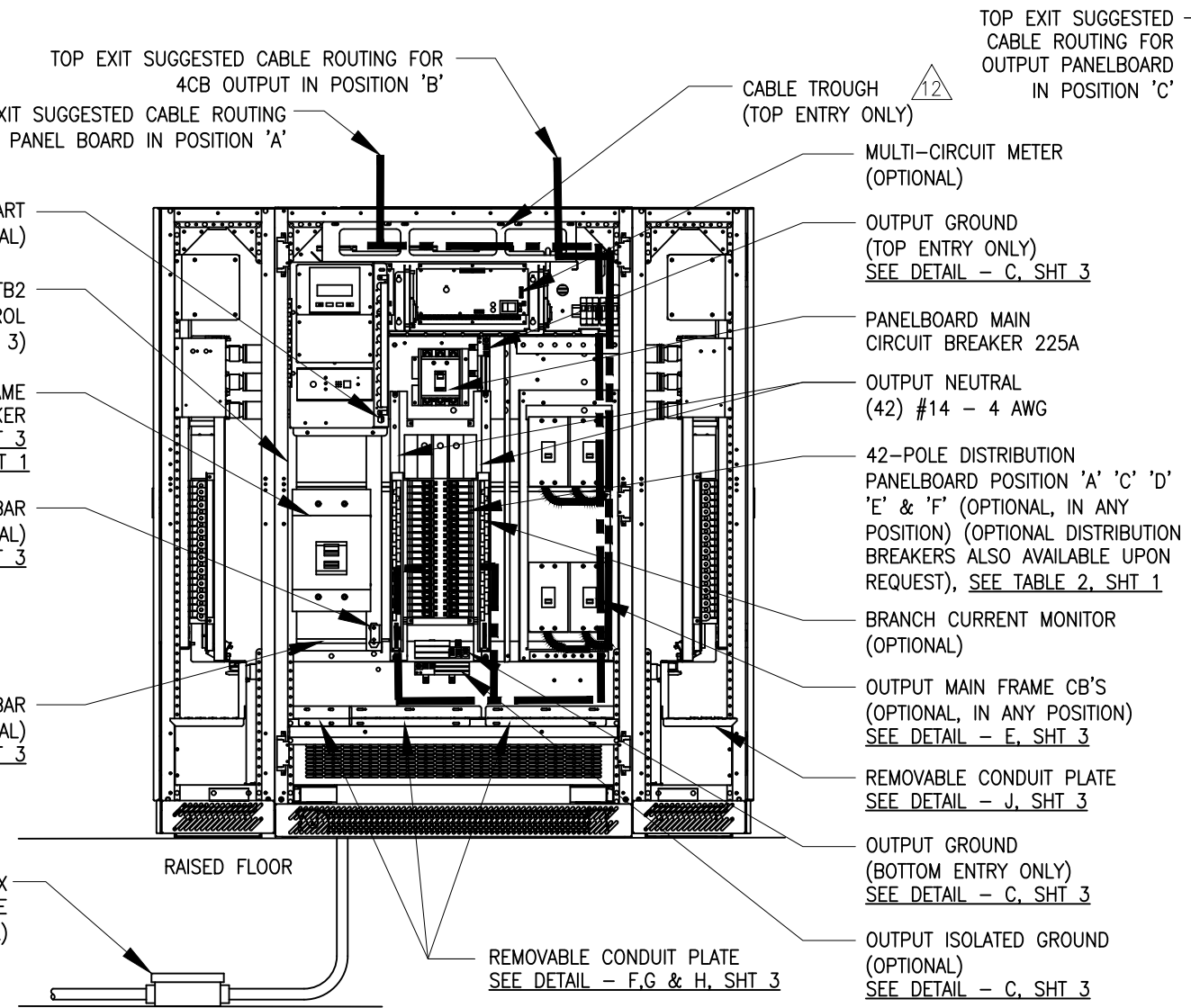
THIRD ANGLE PROJ.



TOP VIEW
SEE SHT 3 FOR BOTTOM CONDUIT LANDING LOCATIONS



- TOP EXIT SUGGESTED CABLE ROUTING FOR OUTPUT PANELBOARDS IN POSITION 'A'
- TOP EXIT SUGGESTED CABLE ROUTING FOR 4CB OUTPUT IN POSITION 'B'
- TOP EXIT SUGGESTED CABLE ROUTING FOR OUTPUT PANEL BOARD IN POSITION 'A'
- MANUAL RESTART (OPTIONAL)
- TB1 & TB2 (SEE PMM CONTROL CONNECTIONS, SHT 3)
- INPUT MAIN FRAME CB1 CIRCUIT BREAKER SEE DETAIL - A, SHT 3 & TABLE 1, SHT 1
- INPUT ISOLATED GROUND BUSBAR (OPTIONAL) SEE DETAIL - D, SHT 3
- INPUT NEUTRAL BUSBAR (OPTIONAL) SEE DETAIL - B, SHT 3
- INPUT POWER JUNCTION BOX WITH 10FT INPUT CABLE (OPTIONAL)



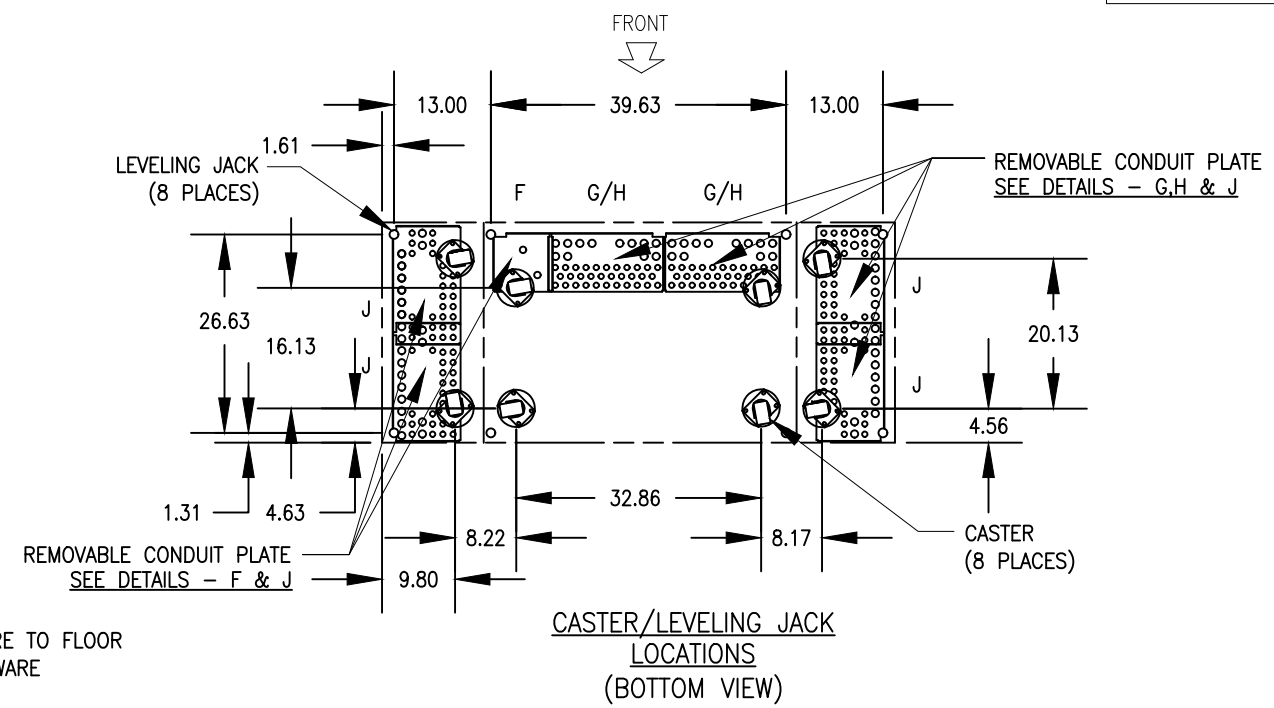
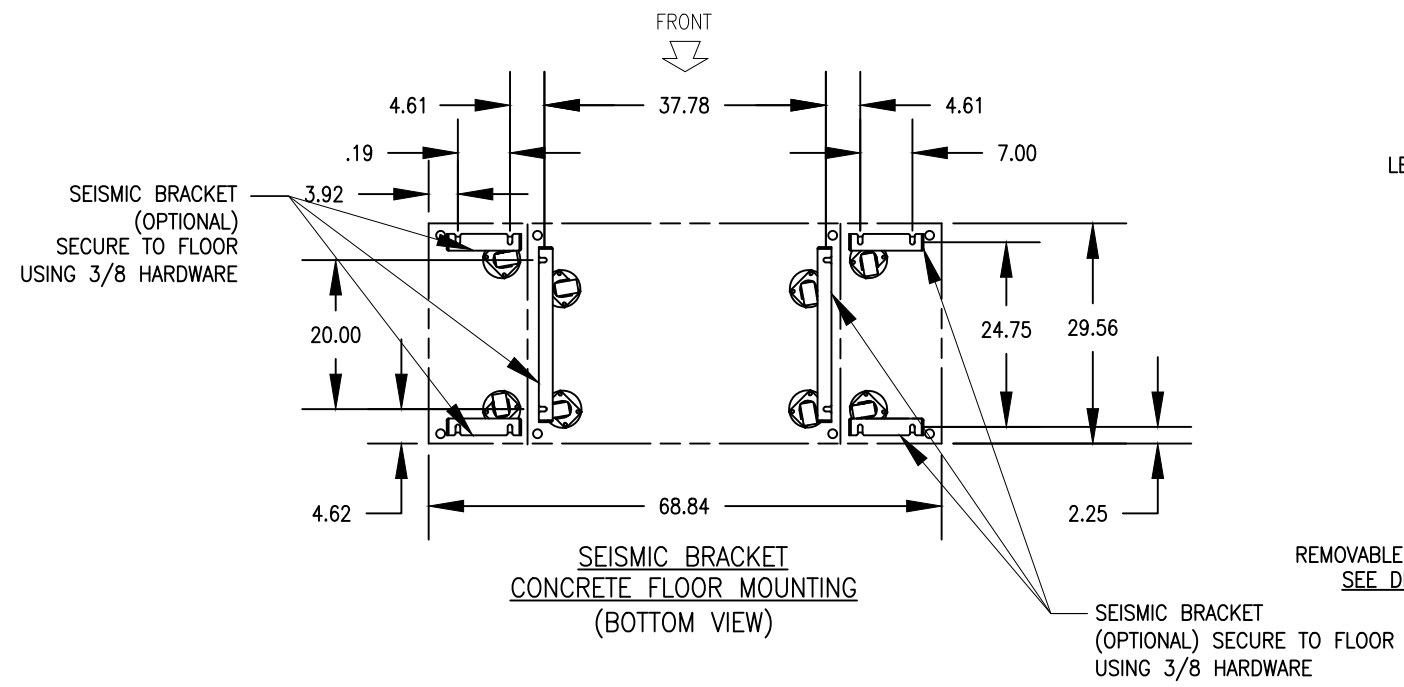
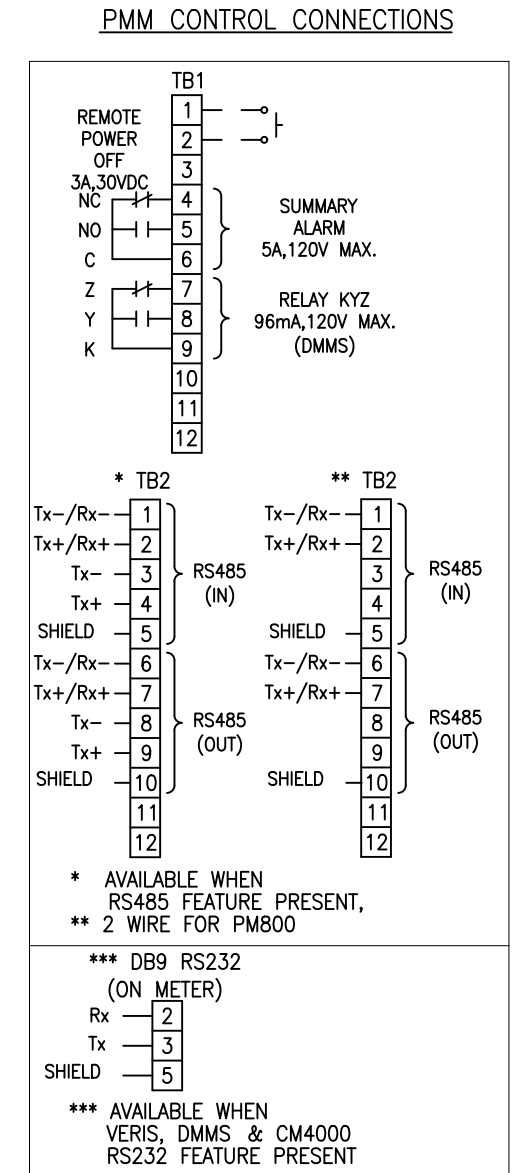
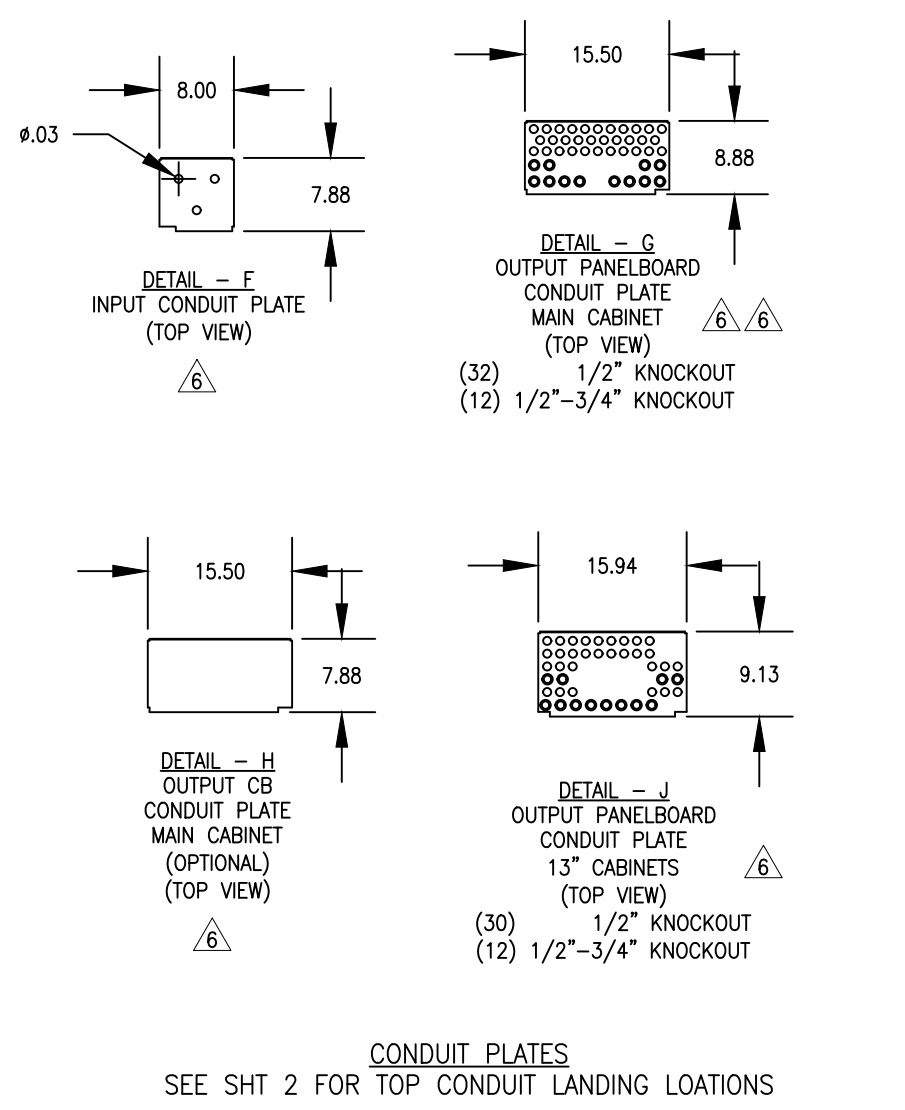
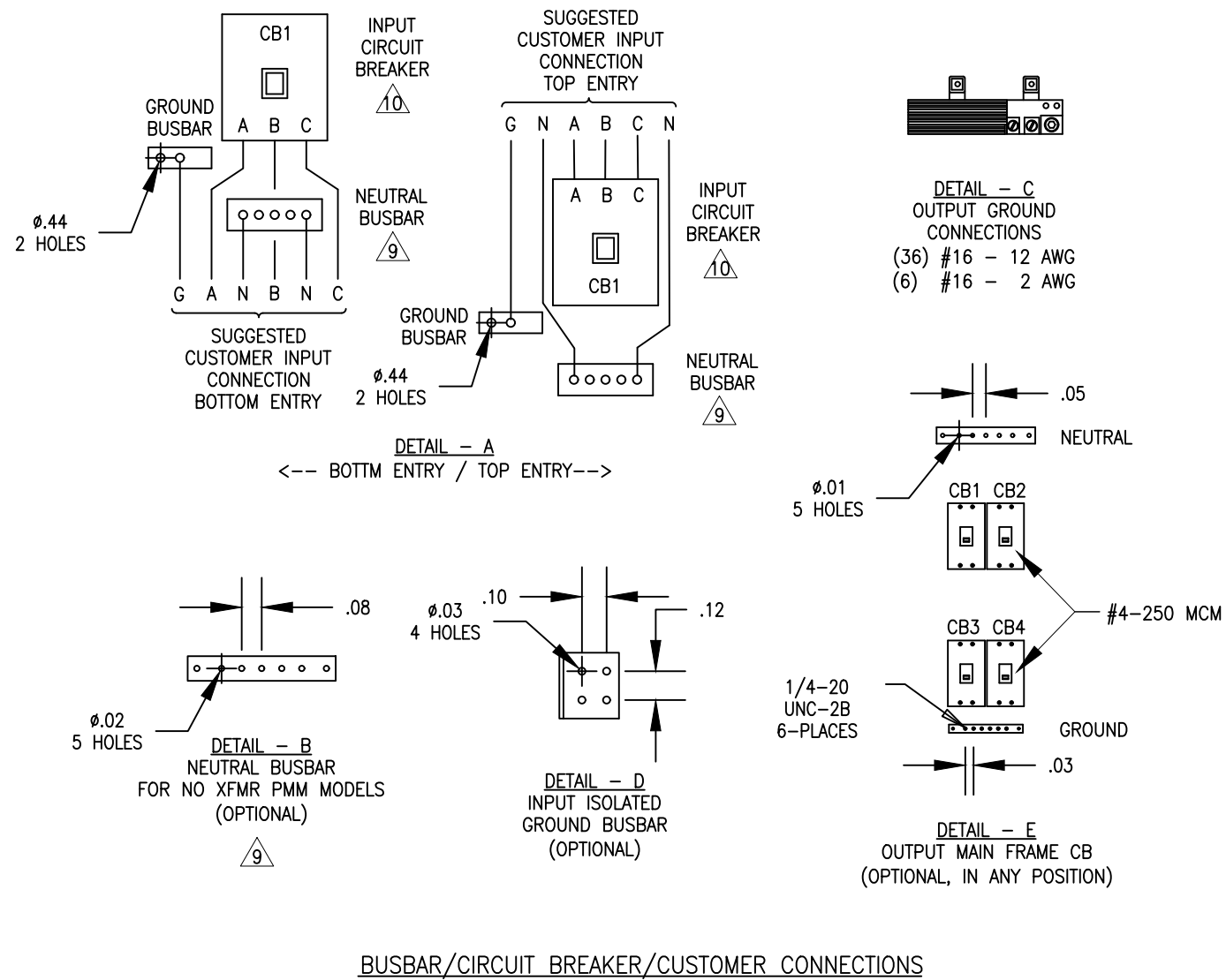
NOTES: UNLESS OTHERWISE SPECIFIED.

THIS DRAWING AND SPECIFICATIONS HEREIN ARE THE PROPERTY OF SCHNEIDER ELECTRIC AND SHALL NOT BE COPIED, REPRODUCED OR USED IN WHOLE OR IN PART, AS THE BASIS FOR THE MANUFACTURE OR SALE OF ITEMS WITHOUT WRITTEN PERMISSION FROM SCHNEIDER ELECTRIC. THIS DRAWING IS BASED UPON LATEST AVAILABLE INFORMATION AND IS SUBJECT TO CHANGE WITHOUT NOTICE.



TITLE: MGE POWER MANAGEMENT MODULE SYSTEM 252 WITH SIDE CABINET PMM SYSTEM INSTALLATION
PROJECT: STD SUBMITTAL DRAWINGS SHEET 2 OF 3

DWG NO:	90-505006-00	REV:	2
DRAWN:	YRS	14-JAN-02	THIRD ANGLE PROJ.
ENGINEER:	J CHEN	14-JAN-02	
APPROVED:	I KENNEDY	14-JAN-02	



NOTES: UNLESS OTHERWISE SPECIFIED.

THIS DRAWING AND SPECIFICATIONS HEREIN ARE THE PROPERTY OF SCHNEIDER ELECTRIC AND SHALL NOT BE COPIED, REPRODUCED OR USED IN WHOLE OR IN PART, AS THE BASIS FOR THE MANUFACTURE OR SALE OF ITEMS WITHOUT WRITTEN PERMISSION FROM SCHNEIDER ELECTRIC. THIS DRAWING IS BASED UPON LATEST AVAILABLE INFORMATION AND IS SUBJECT TO CHANGE WITHOUT NOTICE.



TITLE: MGE POWER MANAGEMENT MODULE SYSTEM 252 WITH SIDE CABINET PMM SYSTEM INSTALLATION

DWG NO: 90-505006-00

PROJECT: STD SUBMITTAL DRAWINGS SHEET 3 OF 3

REV. 2

YRS 14-JAN-02

J CHEN 14-JAN-02

I KENNEDY 14-JAN-02

PROJ. ANGLE N/A

SHT	DRAWING NUMBER	REVISION								REVISION DESCRIPTION	REVISION INITIATED BY (ECO/ENGR)	REVISION APPROVED BY
		2	3	4								
1	90-505006-00_1	11/23/2010								SE TEMPLATE INCORPORATED	E.D.	E.D.
			30-Sep-10							REVISED WIDTH DIMENSION IN FRONT VIEW	M.B.	M.B.
				20-JAN-16						ERROR IN CLEARANCE DIMENSION FIXED (REAR WAS .2" AND TOP WAS .5")	A.G	M.B
2	90-505006-00_2	11/23/2010								SE TEMPLATE INCORPORATED	E.D.	E.D.
3	90-505006-00_3	11/23/2010								SE TEMPLATE INCORPORATED	E.D.	E.D.

NOTE:
SEE BELOW FOR PREVIOUS REVISIONS.

REVISIONS			
REV	DESCRIPTION	DATE	APPROVED
A00	NEW RELEASE ECN-002680	6/12/2002	I KENNEDY
B00	REVISED PER ECN-002822	8/21/2002	I KENNEDY
C00	REVISED PER ECN-003493	6/6/2005	I KENNEDY
1	REVISED PER ECN BR-3918	9/1/2009	RH
5	REVISED PER XFMR CHANGE	3/27/2017	G. RAMIREZ

FILE: 90-505006-00REV5	INITIALLY DRAWN BY: YRS	FILE REV: 5
INITIAL RELEASE: 14-JAN-02	INITIALLY APPROVED BY: JC/IK	DATE: 27-MAR-2017