

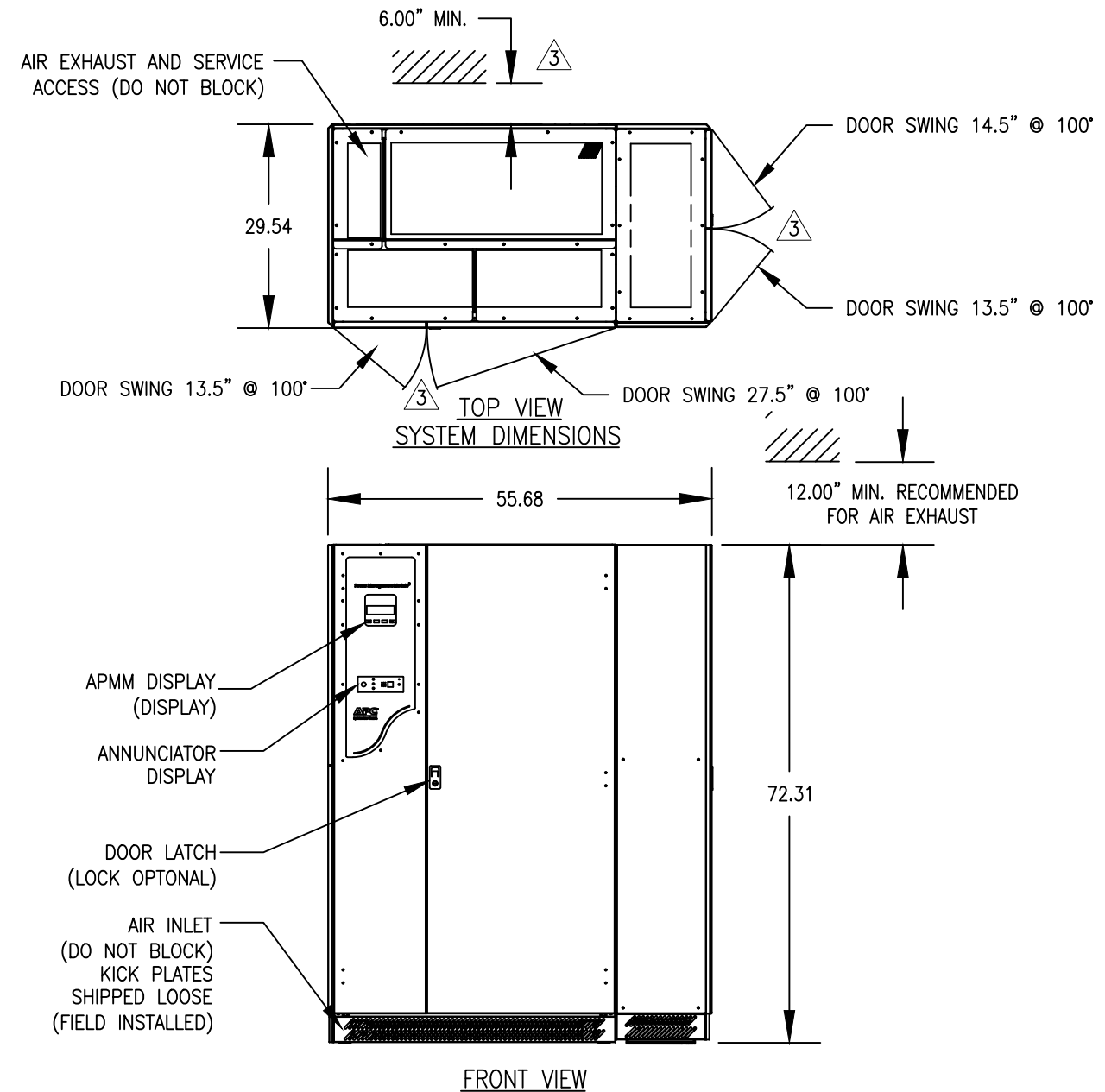
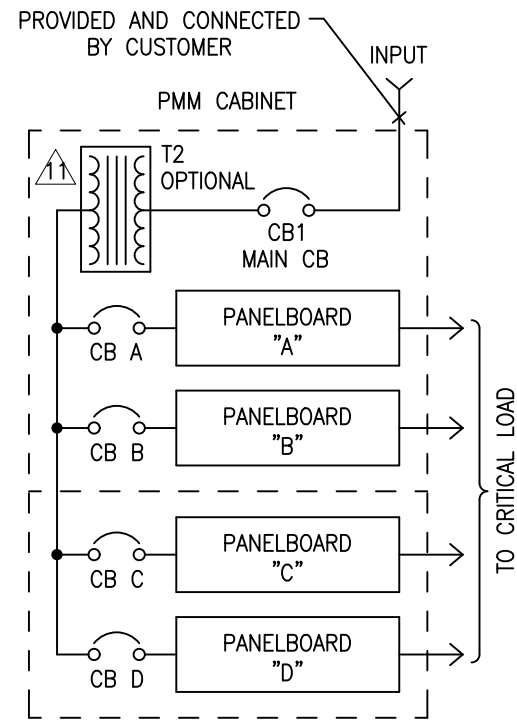
TABLE 1:  
INPUT POWER CONNECTIONS/WEIGHT/HEAT REJECTION

SYSTEM KVA	INPUT VOLTS	INPUT CIRCUIT BREAKER				WT.(LBS.)	BTU/HR
		TRIP AMPS	CONNECTOR LUG WIRE RANGE		CONDUIT SIZE		
			STANDARD CB	HI-INTERRUPT CB			
50	208	175	(1) #4 - 350	(1) #4 - 350	2	1490	4100
50	480	80	(1) #12 - 1/0	(1) #12 - #1	2	1490	4100
50	600	60	(1) #12 - 1/0	(1) #12 - #1	2	1490	4100
75	208	300	(1) #1 - 600	(3) 3/0 - 500	(2) 2 1/2	1640	5200
75	380	150	(1) #4 - 350	(1) #4 - 350	2	1840	5200
75	480	125	(1) #4 - 350	(1) #4 - 350	2	1840	5200
75	600	90	(1) #12 - 1/0	(1) #12 - #1	2	1840	5200
100	480	150	(1) #4 - 350	(1) #4 - 350	2	1890	5800
125	480	200	(1) #4 - 350	(1) 1/0 - 350	2	2270	6500
125	600	150	(1) #4 - 350	(1) #4 - 350	2	2270	6500
150	380	300	(1) #1 - 600	(3) 3/0 - 500	(2) 2 1/2	2650	7300
150	480	225	(1) #4 - 350	(1) 1/0 - 350	2	2480	7300
150	600	200	(1) #4 - 350	(1) 1/0 - 350	2	2480	7300
200	480	350	(1) #1 - 600	(3) 3/0 - 500	(2) 2 1/2	2720	9700
225	380	450	(3) 3/0 - 500	(3) 3/0 - 500	(2) 2 1/2	3030	9800
225	480	400	(1) #1 - 600	(3) 3/0 - 500	(2) 2 1/2	2900	9800
225	600	300	(1) #1 - 600	(3) 3/0 - 500	(2) 2 1/2	2900	9800
300	480	600	(3) 3/0 - 500	(3) 3/0 - 500	(2) 2 1/2	3400	11100

TABLE 2:  
OUTPUT POWER CONNECTIONS

TRIP AMPS	WIRE CONNECTIONS
10 - 30	#14 - 8
35 - 70	#8 - 2
80 - 125	#4 - 2/0

SINGLE LINE DIAGRAM



12. THIS CABLE TRAY IS REQUIRED FOR ALL TOP ENTRY UNITS TO PREVENT DAMAGE TO PCBA'S & TO KEEP CONTROL CIRCUITS AWAY FROM POWER CIRCUITS. IT CAN TEMPORARILY BE REMOVED TO AID IN PULLING CABLES BUT CAN NOT BE LEFT OUT. IT ACTS AS A PROTECTIVE BARRIER AND OUTPUT CABLE TRAY. SYSTEM WARRANTY IS VOID IF LEFT OUT. FURTHERMORE, LEAVING IT OUT CAN CAUSE SUSTEM MALFUNCTIONS OR FAILURE.

11. FOR ZIG-ZAG TRANSFORMER OPTION:  
PANEL A CONNECTED TO WINDING 1  
PANEL B CONNECTED TO WINDING 2

10. WHEN MAKING INPUT CONNECTIONS, MAKE SURE THAT THE EXISTING CONTROL WIRING ARE KEPT IN PLACE.

9. INPUT NEUTRAL BUSBAR IS ONLY PROVIDED ON TRANSFORMERLESS MODELS. IF USED, CONNECT NEUTRAL CABLES AS SHOWN.

8. IF OPTIONAL J-BOX IS SUPPLIED, REFER TO SEPARATE INSTALLATION DRAWINGS.

7. ALL CABLE CONNECTIONS ARE BASED ON CUSTOMER SUPPLIED COPPER WIRE RATED 75°C

6. CUSTOMER TO REMOVE AND CUT HOLES IN CONDUIT PLATE AS REQUIRED.

5. FOLLOW THE NEC (NATIONAL ELECTRICAL CODE) AND OTHER APPLICABLE LOCAL CODES.

4. HEAT LOSS BASED ON FULL RESISTIVE LOAD CAN VARY +/-100% UNDER DIFFERENT LOAD CONDITIONS.

3. 6.00 INCHES REAR CLEARANCE IS REQUIRED FOR VENTILATION. 36.00 INCHES FRONT CLEARANCE FOR MAINTENANCE.

2. REFER TO OWNERS MANUAL FOR INSTALLATION AND OPERATING INSTRUCTIONS.

1. COLOR: LIGHT GREY

NOTES: UNLESS OTHERWISE SPECIFIED.

THIS DRAWING AND SPECIFICATIONS HEREIN ARE THE PROPERTY OF SCHNEIDER ELECTRIC AND SHALL NOT BE COPIED, REPRODUCED OR USED IN WHOLE OR IN PART, AS THE BASIS FOR THE MANUFACTURE OR SALE OF ITEMS WITHOUT WRITTEN PERMISSION FROM SCHNEIDER ELECTRIC. THIS DRAWING IS BASED UPON LATEST AVAILABLE INFORMATION AND IS SUBJECT TO CHANGE WITHOUT NOTICE.



TITLE:  
MGE POWER MANAGEMENT MODULE  
SYSTEM 168 WITH SIDE CABINET PMM  
INSTALLATION DRAWING

PROJECT: STD SUBMITTAL DRAWINGS SHEET 1 OF 3

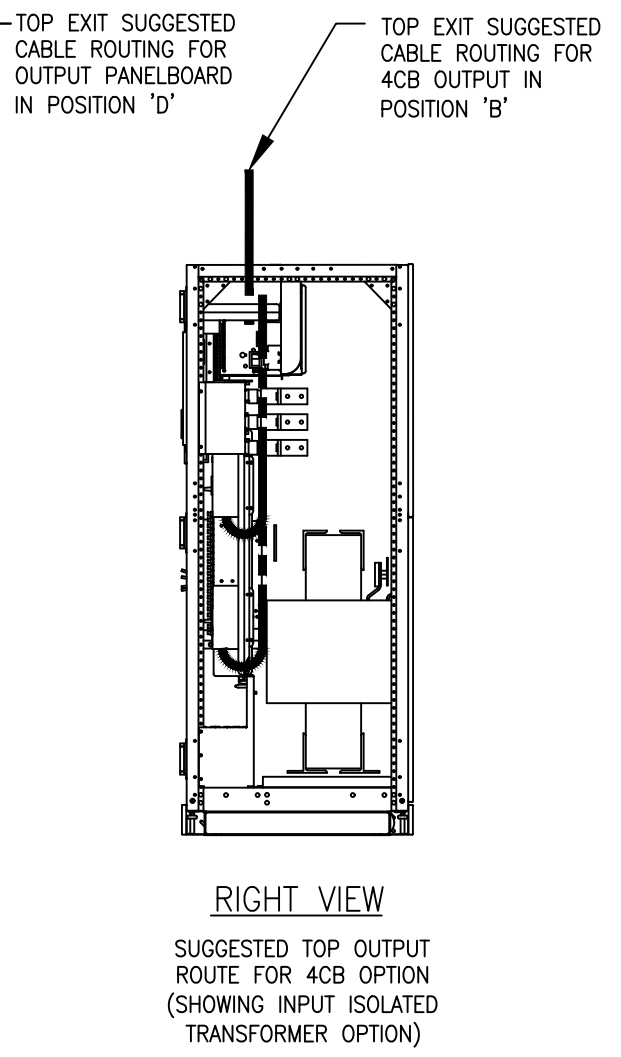
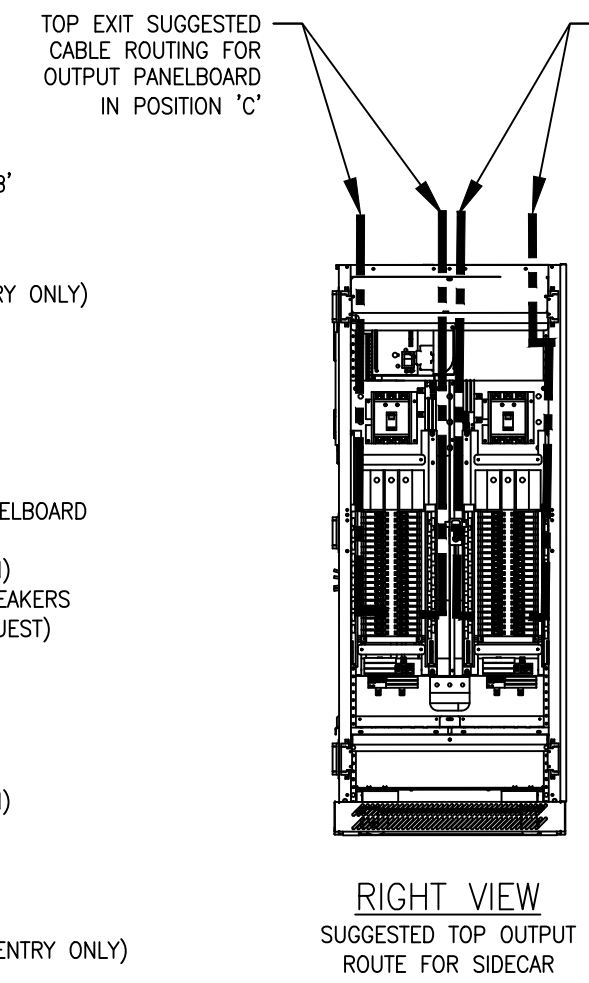
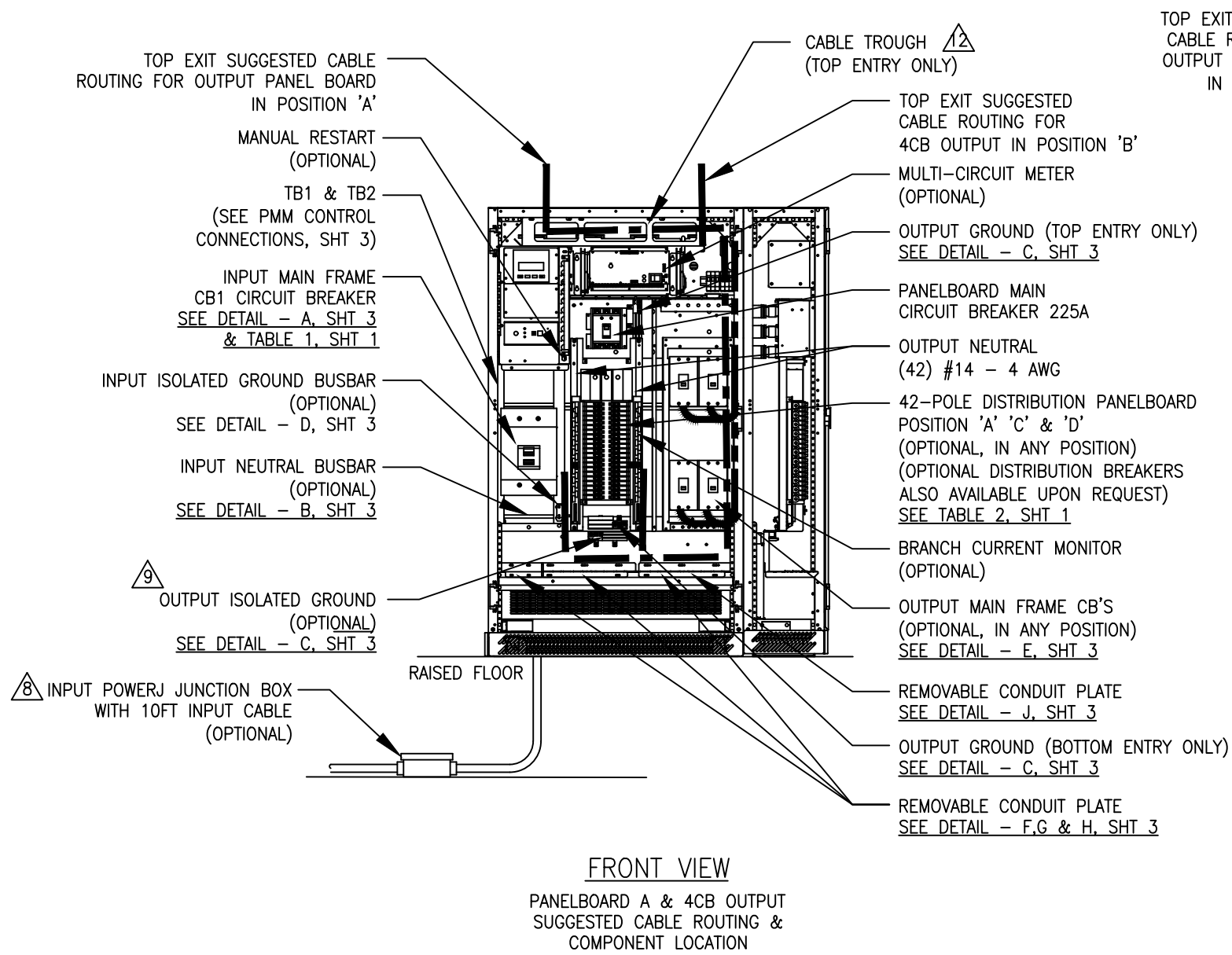
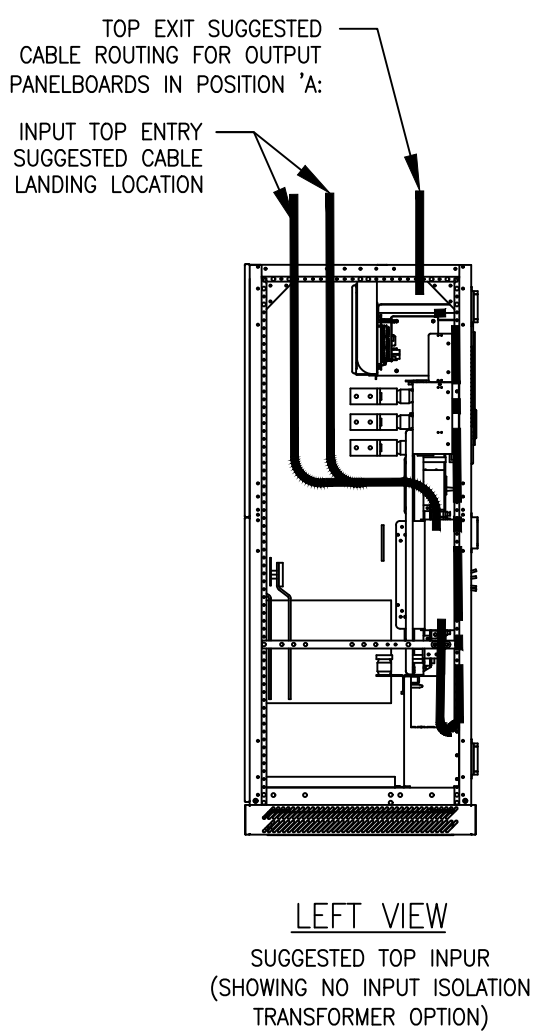
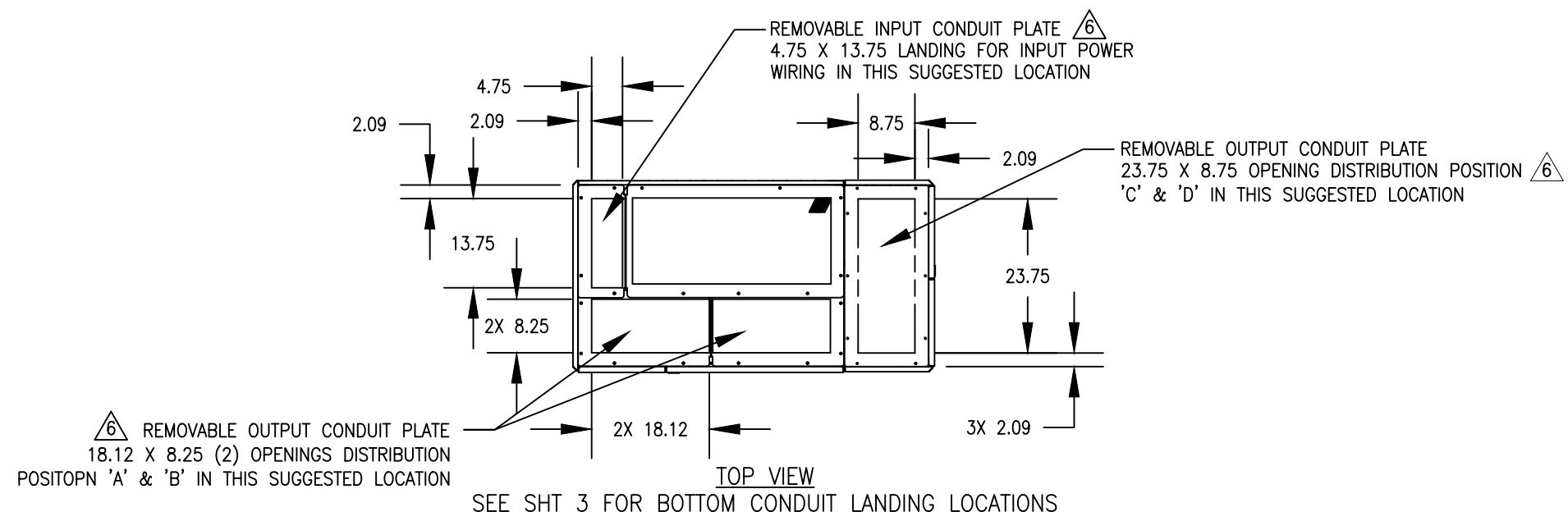
DWG NO: 90-505005-00 REV. 3

DRAWN: YRS 14-JAN-02

ENGINEER: J CHEN 14-JAN-02

APPROVED: I KENNEDY 14-JAN-02

THIRD  
ANGLE  
PROJ.



NOTES: UNLESS OTHERWISE SPECIFIED.

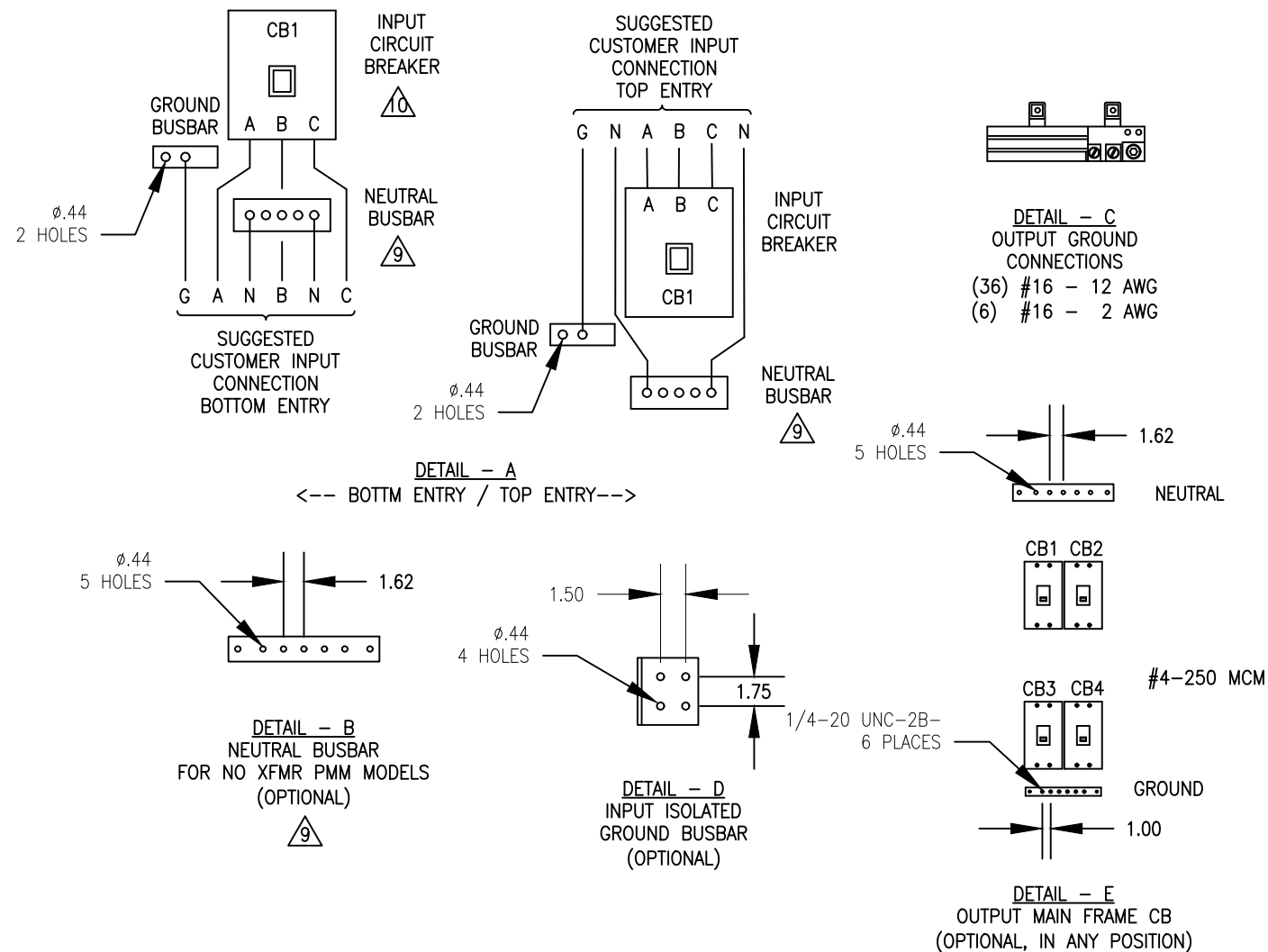
THIS DRAWING AND SPECIFICATIONS HEREIN ARE THE PROPERTY OF SCHNEIDER ELECTRIC AND SHALL NOT BE COPIED, REPRODUCED OR USED IN WHOLE OR IN PART, AS THE BASIS FOR THE MANUFACTURE OR SALE OF ITEMS WITHOUT WRITTEN PERMISSION FROM SCHNEIDER ELECTRIC. THIS DRAWING IS BASED UPON LATEST AVAILABLE INFORMATION AND IS SUBJECT TO CHANGE WITHOUT NOTICE.



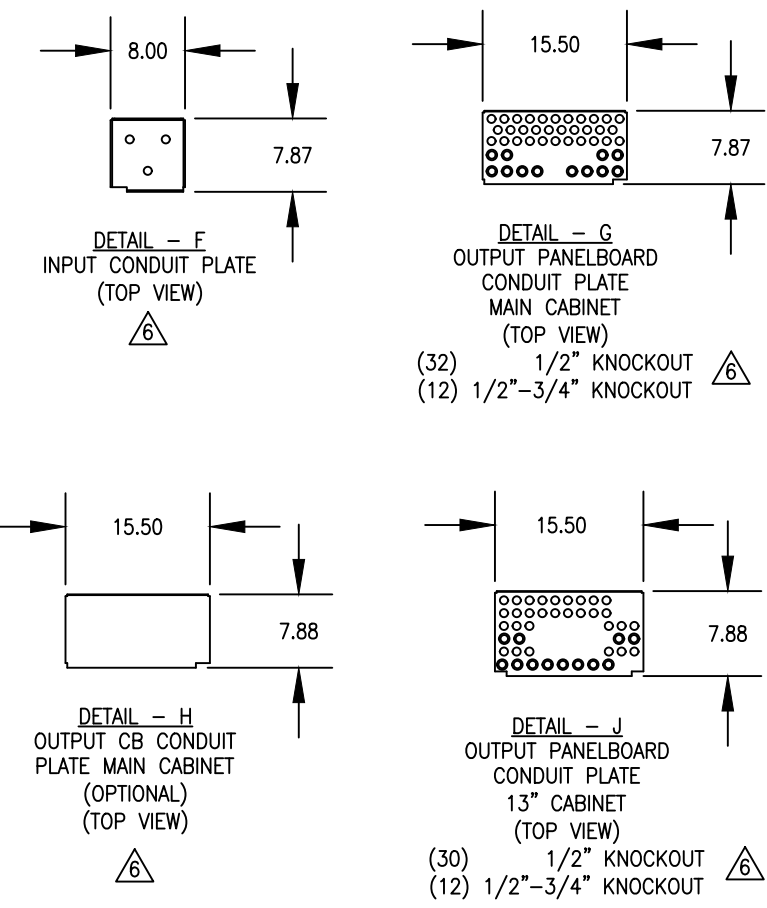
TITLE: MGE POWER MANAGEMENT MODULE SYSTEM 168 WITH SIDE CABINET PMM INSTALLATION DRAWING

PROJECT: STD SUBMITTAL DRAWINGS SHEET 2 OF 3

DWG NO:	90-505005-00	REV.	2
DRAWN:	YRS	14-JAN-02	THIRD ANGLE PROJ.
ENGINEER:	J CHEN	14-JAN-02	
APPROVED:	I KENNEDY	14-JAN-02	



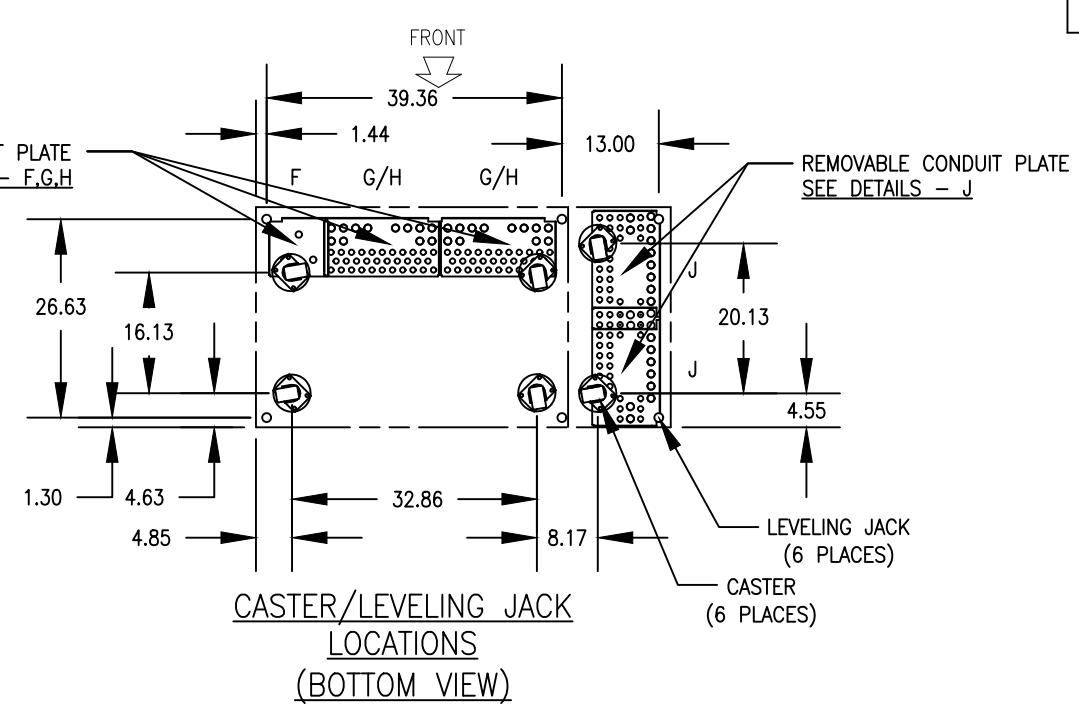
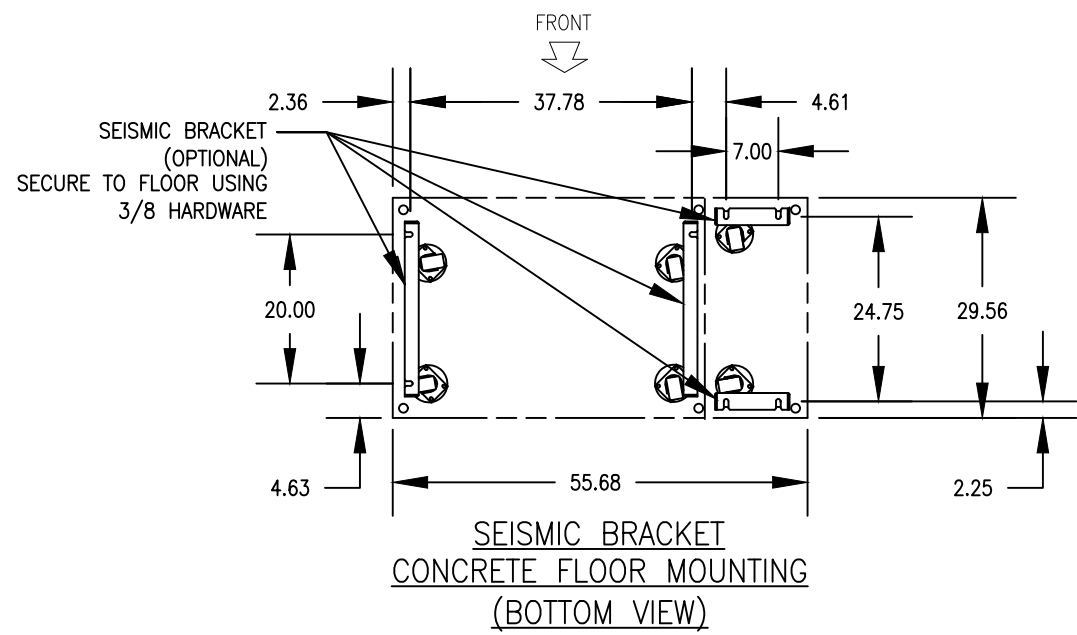
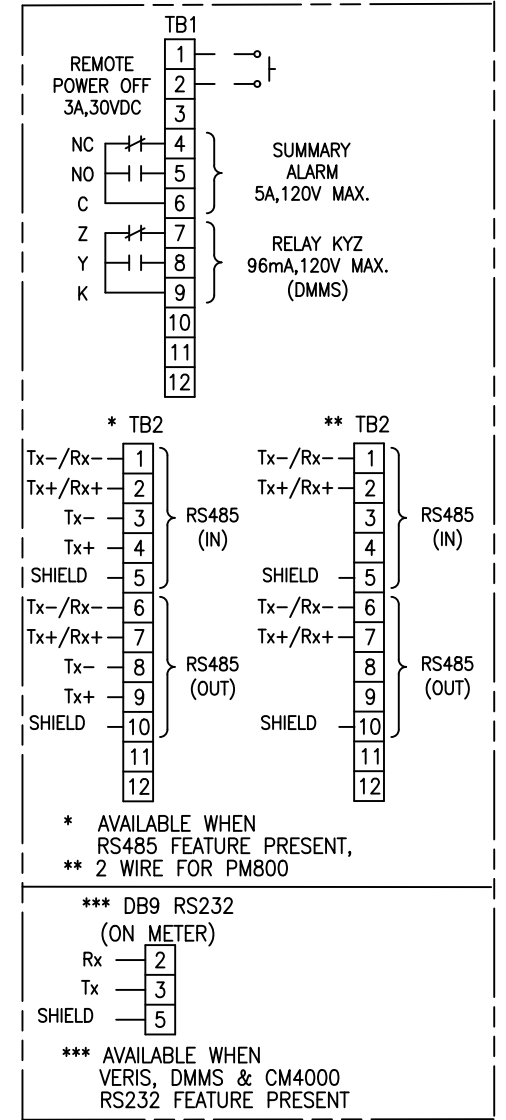
**BUSBAR/CIRCUIT BREAKER/CUSTOMER CONNECTIONS**



**CONDUIT PLATES**

SEE SHT 2 FOR TOP CONDUIT LANDING LOCATIONS

**PMM CONTROL CONNECTIONS**



NOTES: UNLESS OTHERWISE SPECIFIED.

THIS DRAWING AND SPECIFICATIONS HEREIN ARE THE PROPERTY OF SCHNEIDER ELECTRIC AND SHALL NOT BE COPIED, REPRODUCED OR USED IN WHOLE OR IN PART, AS THE BASIS FOR THE MANUFACTURE OR SALE OF ITEMS WITHOUT WRITTEN PERMISSION FROM SCHNEIDER ELECTRIC. THIS DRAWING IS BASED UPON LATEST AVAILABLE INFORMATION AND IS SUBJECT TO CHANGE WITHOUT NOTICE.



TITLE: MGE POWER MANAGEMENT MODULE SYSTEM 168 WITH SIDE CABINET PMM INSTALLATION DRAWING  
 PROJECT: STD SUBMITTAL DRAWINGS SHEET 3 OF 3

DWG NO: 90-505005-00  
 DRAWN: YRS 14-JAN-02  
 ENGINEER: J CHEN 14-JAN-02  
 APPROVED: I KENNEDY 14-JAN-02

REV. 2  
 PROJ. ANGLE N/A

SHT	DRAWING NUMBER	REVISION								REVISION DESCRIPTION	REVISION INITIATED BY (ECO/ENGR)	REVISION APPROVED BY
		2										
1	90-505005-00_1	11/23/2010								SE TEMPLATE INCORPORATED	E.D.	E.D.
2	90-505005-00_2	11/23/2010								SE TEMPLATE INCORPORATED	E.D.	E.D.
3	90-505005-00_3	11/23/2010								SE TEMPLATE INCORPORATED	E.D.	E.D.

NOTE:  
SEE BELOW FOR PREVIOUS REVISIONS.

REVISIONS			
REV	DESCRIPTION	DATE	APPROVED
A00	NEW RELEASE ECN-002680	6/12/2002	I KENNEDY
B00	REVISED PER ECN-002822	8/21/2002	I KENNEDY
C00	REVISED PER ECN-003493	6/6/2005	I KENNEDY
1	REVISED PER ECO BR-3918	9/1/2009	RH
3	REVISED PER XFMR CHANGE	3/27/2017	G. RAMIREZ

FILE: 90-505005-00REV3	INITIALLY DRAWN BY: YRS	FILE REV: 3
INITIAL RELEASE: 14-JAN-02	INITIALLY APPROVED BY: JC/IK	DATE: 3-ABR-2017