

**LINETYPE LEGEND:**

---	MECHANICAL ENCLOSURES
---	AC CABLE - PROVIDED BY OTHERS
---	AC BUS (MBP)
---	BUS CONNECTIONS FOR BREAKERS
---	DC BUS

- NOTES:**
1. INSTALLATION SHALL COMPLY WITH ALL APPLICABLE NATIONAL, STATE AND LOCAL CODES.
  2. PLEASE REFER TO PRODUCT DOCUMENTATION FOR ADDITIONAL DETAILS.
  3. DRAWING DEPICTS POWER SYSTEM CONNECTIONS AND IS NOT REPRESENTATIVE OF PHYSICAL LAYOUT, PLEASE REFER TO MECHANICAL DRAWINGS FOR PHYSICAL LAYOUT.
  - △4. AC SOURCE SHALL BE 208VAC, 4 WIRE, WYE CONNECTED, 3φ (CONTACT SCHNEIDER ELECTRIC IF OTHER)
  - △5. AC CABLING SHALL BE 600V RATED, 4 WIRE + GROUND, AND SHALL BE RUN IN SEPARATE CONDUITS.
  - △6. DC SOURCE SHALL BE 384VDC WITH CENTER TAP, 3 WIRE + GROUND.
  7. CABLE LUGS ARE PROVIDED BY OTHERS.
  - △8. XR BATTERY ENCLOSURE IS AVAILABLE WITHOUT BREAKER WITH DC FUSE ONLY
  - △9. UP TO FOUR XR BATTERY ENCLOSURES MAY BE CONNECTED TO THE UPS TO EXTEND BACKUP TIME.
  - △10. EXTERNAL BATTERY CABINET IS OPTIONAL. BAYING KITS SHALL BE PURCHASED AS AN OPTION. BATTERY SIZING IS BASED ON A MAXIMUM 1 VOLT DROP PER HALF-STRING AT NOMINAL RATED DC CURRENT. CE SHALL ADJUST CABLE SIZE BASED ON INSTALLATION PARAMETERS.

UPS SYSTEM OUTPUT  
15kVA, 208Y/120V, 3φ  
4W+GND

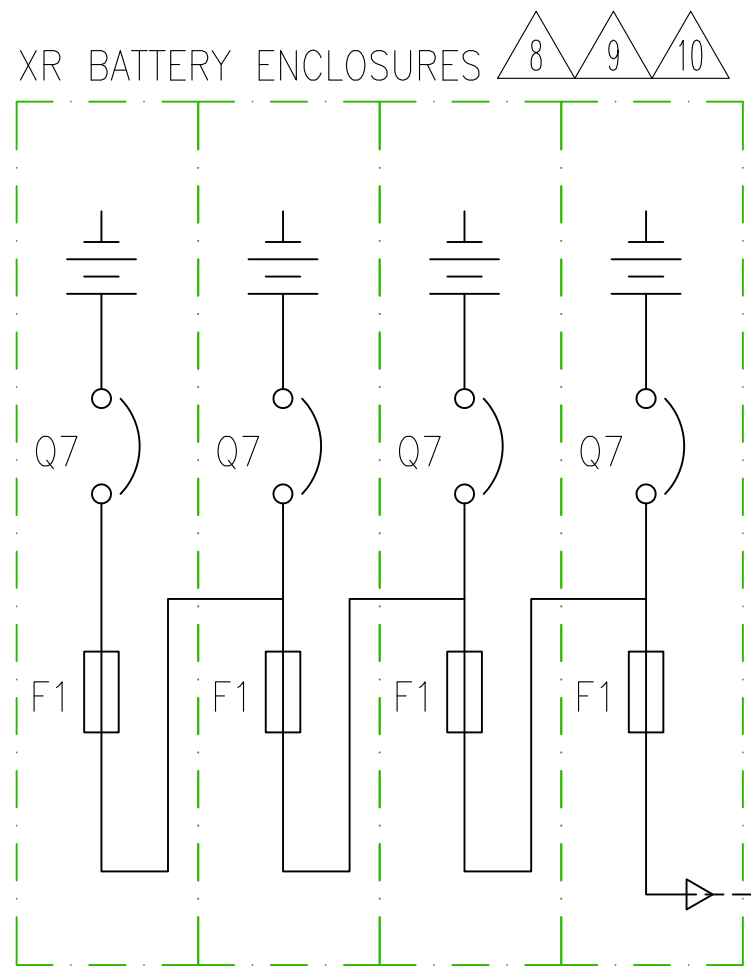
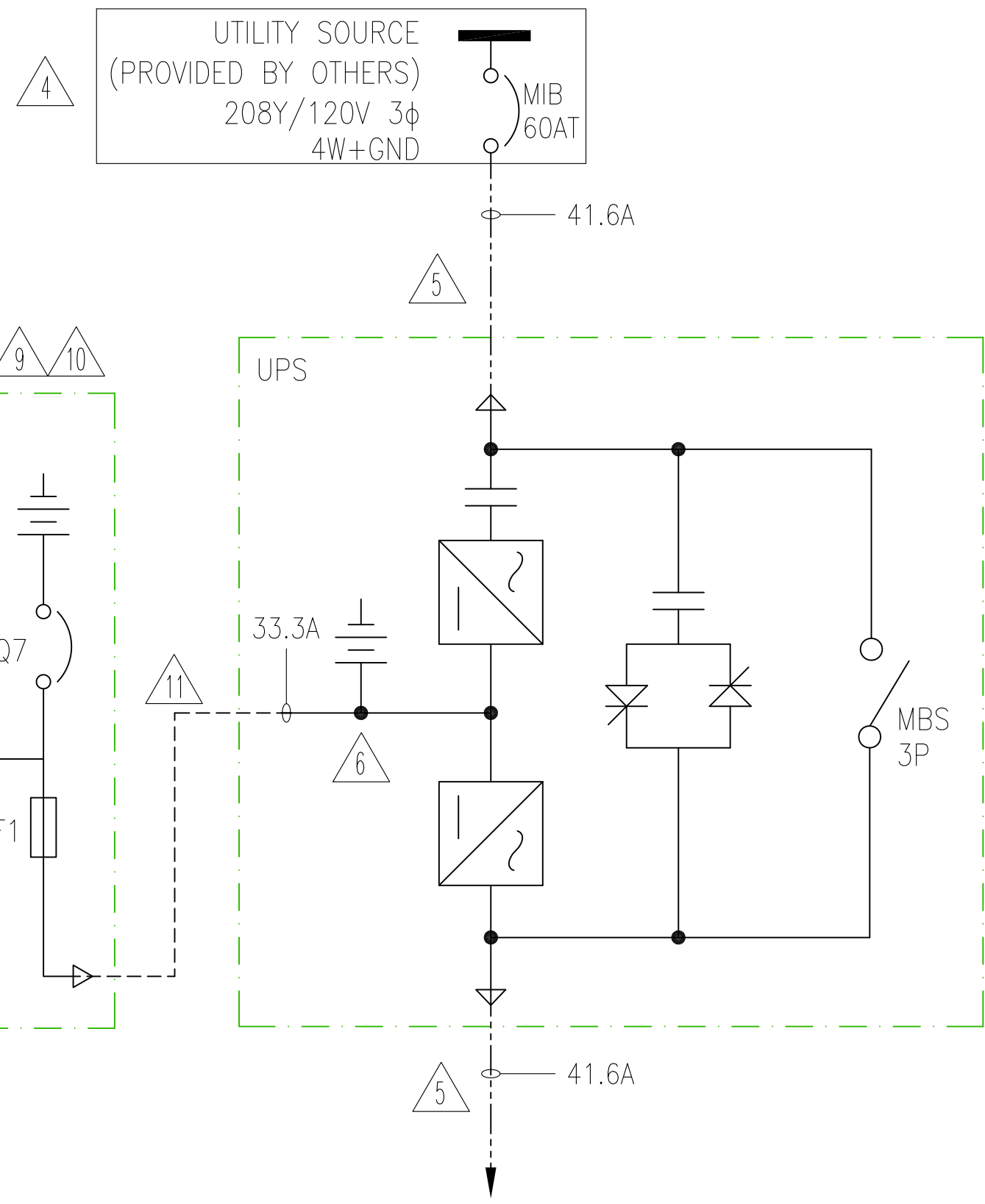
SINGLE MAINS, W/BAYED XR BATTERY CABINETS

THIS DRAWING AND SPECIFICATIONS HEREIN ARE THE PROPERTY OF SCHNEIDER ELECTRIC AND SHALL NOT BE COPIED, REPRODUCED OR USED IN WHOLE OR IN PART, AS THE BASIS FOR THE MANUFACTURE OR SALE OF ITEMS WITHOUT WRITTEN PERMISSION FROM SCHNEIDER ELECTRIC. THIS DRAWING IS BASED UPON LATEST AVAILABLE INFORMATION AND IS SUBJECT TO CHANGE WITHOUT NOTICE.



TITLE: SMART-UPS VT, PARALLEL CAPABLE  
INPUT: 208VAC, 3φ, SINGLE MAINS  
OUTPUT: 208VAC, 15kVA  
BAYED XR BATTERY ENCLOSURES  
SYSTEM ONE LINE DIAGRAM

DWG NO:	SUVTP15KF1C1-SD		REV:	0
DRAWN BY:	V BUSH	19-JAN-11	PROJ	ANGLE
ENGINEER:	A WARNER	19-JAN-11	PROJ	ANGLE
APPROVED:	J RING	19-JAN-11	PROJ	ANGLE
PROJECT:	SUBMITTAL DRAWINGS		SHEET	1 OF 2



**LINETYPE LEGEND:**

	MECHANICAL ENCLOSURES
	AC CABLE - PROVIDED BY OTHERS
	AC BUS (MBP)
	BUS CONNECTIONS FOR BREAKERS
	DC BUS

- NOTES:**
1. INSTALLATION SHALL COMPLY WITH ALL APPLICABLE NATIONAL, STATE AND LOCAL CODES.
  2. PLEASE REFER TO PRODUCT DOCUMENTATION FOR ADDITIONAL DETAILS.
  3. DRAWING DEPICTS POWER SYSTEM CONNECTIONS AND IS NOT REPRESENTATIVE OF PHYSICAL LAYOUT, PLEASE REFER TO MECHANICAL DRAWINGS FOR PHYSICAL LAYOUT.
  - △ 4. AC SOURCE SHALL BE 208VAC, 4 WIRE, WYE CONNECTED, 3φ (CONTACT SCHNEIDER ELECTRIC IF OTHER)
  - △ 5. AC CABLING SHALL BE 600V RATED, 4 WIRE + GROUND, AND SHALL BE RUN IN SEPARATE CONDUITS.
  - △ 6. DC SOURCE SHALL BE 384VDC WITH CENTER TAP, 3 WIRE + GROUND.
  7. CABLE LUGS ARE PROVIDED BY OTHERS.
  - △ 8. XR BATTERY ENCLOSURE IS AVAILABLE WITHOUT BREAKER WITH DC FUSE ONLY
  - △ 9. UP TO FOUR XR BATTERY ENCLOSURES MAY BE CONNECTED TO THE UPS TO EXTEND BACKUP TIME.
  - △ 10. EXTERNAL BATTERY CABINET IS OPTIONAL. BAYING KITS SHALL BE PURCHASED AS AN OPTION. BATTERY SIZING IS BASED ON A MAXIMUM 1 VOLT DROP PER HALF-STRING AT NOMINAL RATED DC CURRENT. CE SHALL ADJUST CABLE SIZE BASED ON INSTALLATION PARAMETERS.
  - △ 11. DC CABLING SHALL BE 600V RATED, 3W+GND, SHALL BE RUN IN SEPARATE CABLING CONDUITS.

UPS SYSTEM OUTPUT  
 15kVA, 208Y/120V, 3φ  
 4W+GND

SINGLE MAINS, W/REMOTE XR BATTERY CABINETS

THIS DRAWING AND SPECIFICATIONS HEREIN ARE THE PROPERTY OF SCHNEIDER ELECTRIC AND SHALL NOT BE COPIED, REPRODUCED OR USED IN WHOLE OR IN PART, AS THE BASIS FOR THE MANUFACTURE OR SALE OF ITEMS WITHOUT WRITTEN PERMISSION FROM SCHNEIDER ELECTRIC. THIS DRAWING IS BASED UPON LATEST AVAILABLE INFORMATION AND IS SUBJECT TO CHANGE WITHOUT NOTICE.		TITLE: SMART-UPS VT, PARALLEL CAPABLE INPUT: 208VAC, 3φ, SINGLE MAINS OUTPUT: 208VAC, 15kVA REMOTE XR BATTERY ENCLOSURES SYSTEM ONE LINE DIAGRAM	DWG NO: SUVTP15KF1C1-SD REV: 0	
		PROJECT: SUBMITTAL DRAWINGS   SHEET 2 OF 2	DRAWN BY: V BUSH 19-JAN-11 ENGINEER: A WARNER 19-JAN-11 APPROVED: J RING 19-JAN-11	PROJ ANGLE N.A.