

LINETYPE LEGEND:

---	MECHANICAL ENCLOSURES
---	AC CABLE - PROVIDED BY OTHERS
---	AC BUS (MBP)
---	BUS CONNECTIONS FOR BREAKERS
---	DC BUS

- NOTES:**
- INSTALLATION SHALL COMPLY WITH ALL APPLICABLE NATIONAL, STATE AND LOCAL CODES.
 - PLEASE REFER TO PRODUCT DOCUMENTATION FOR ADDITIONAL DETAILS.
 - DRAWING DEPICTS POWER SYSTEM CONNECTIONS AND IS NOT REPRESENTATIVE OF PHYSICAL LAYOUT, PLEASE REFER TO MECHANICAL DRAWINGS FOR PHYSICAL LAYOUT.
 - AC SOURCE SHALL BE 208VAC, 4 WIRE, WYE CONNECTED, 3φ (CONTACT SCHNEIDER ELECTRIC IF OTHER)
 - AC CABLING SHALL BE 600V RATED, 4 WIRE + GROUND, AND SHALL BE RUN IN SEPARATE CONDUITS.
 - DC SOURCE SHALL BE 384VDC WITH CENTER TAP, 3 WIRE + GROUND.
 - CABLE LUGS ARE PROVIDED BY OTHERS.
 - XR BATTERY ENCLOSURE IS AVAILABLE WITHOUT BREAKER WITH DC FUSE ONLY
 - UP TO FOUR XR BATTERY ENCLOSURES MAY BE CONNECTED TO THE UPS TO EXTEND BACKUP TIME.
 - EXTERNAL BATTERY CABINET IS OPTIONAL. BAYING KITS SHALL BE PURCHASED AS AN OPTION. BATTERY SIZING IS BASED ON A MAXIMUM 1 VOLT DROP PER HALF-STRING AT NOMINAL RATED DC CURRENT. CE SHALL ADJUST CABLE SIZE BASED ON INSTALLATION PARAMETERS.

UPS SYSTEM OUTPUT
10kVA, 208Y/120V, 3φ
4W+GND

SINGLE MAINS, W/BAYED XR BATTERY CABINETS

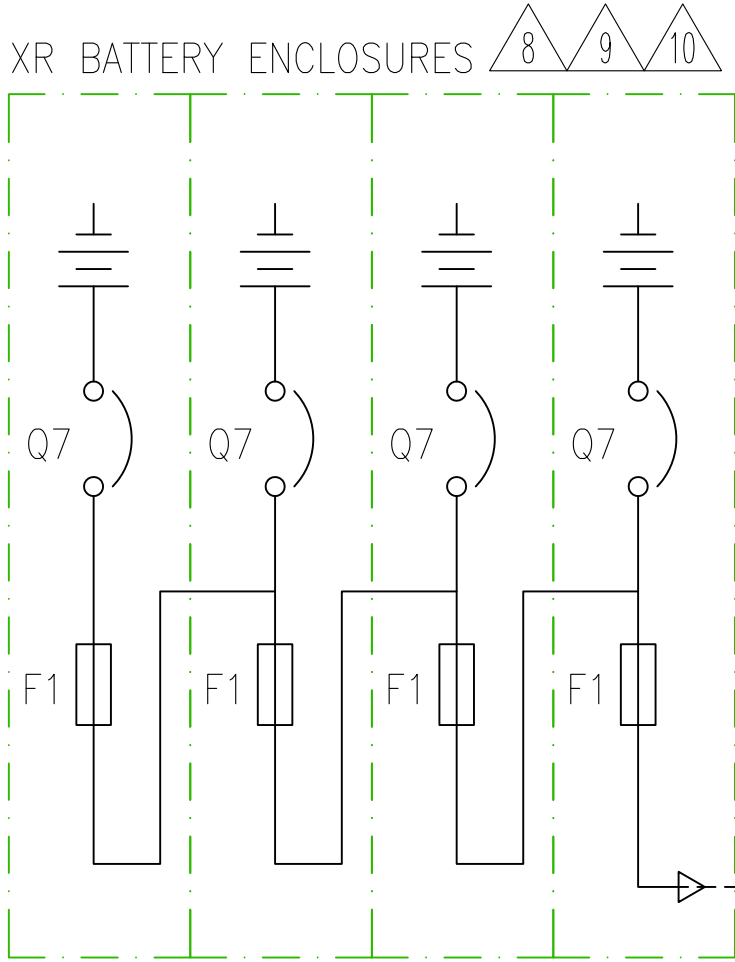
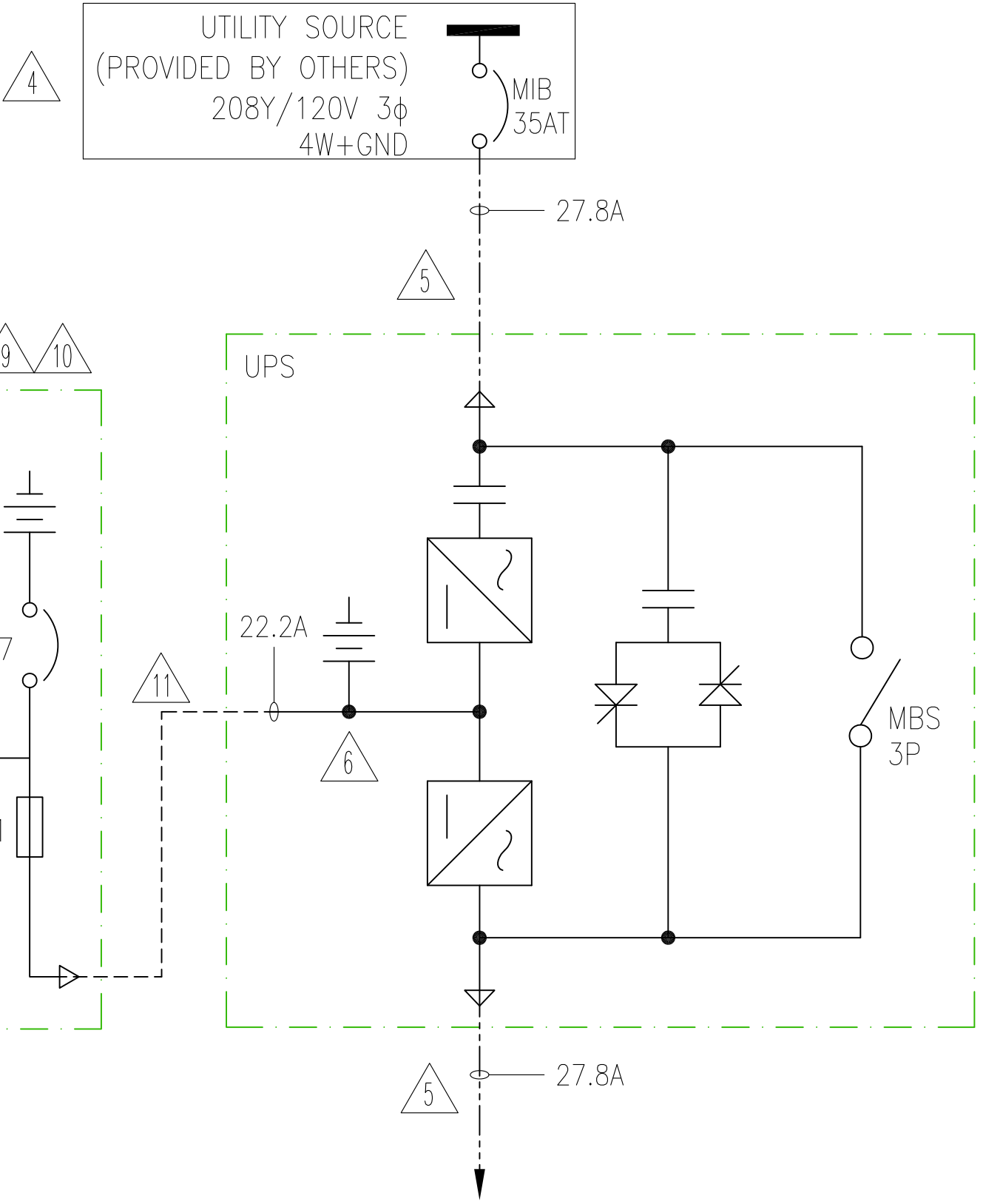
THIS DRAWING AND SPECIFICATIONS HEREIN ARE THE PROPERTY OF SCHNEIDER ELECTRIC AND SHALL NOT BE COPIED, REPRODUCED OR USED IN WHOLE OR IN PART, AS THE BASIS FOR THE MANUFACTURE OR SALE OF ITEMS WITHOUT WRITTEN PERMISSION FROM SCHNEIDER ELECTRIC. THIS DRAWING IS BASED UPON LATEST AVAILABLE INFORMATION AND IS SUBJECT TO CHANGE WITHOUT NOTICE.



TITLE: SMART-UPS VT, PARALLEL CAPABLE
INPUT: 208VAC, 3φ, SINGLE MAINS
OUTPUT: 208VAC, 10kVA
BAYED XR BATTERY ENCLOSURES
SYSTEM ONE LINE DIAGRAM

DWG NO:	SUVTP10KF1C1-SD	REV:	0
DRAWN BY:	V BUSH	19-JAN-11	PROJ
ENGINEER:	A WARNER	19-JAN-11	ANGLE
APPROVED:	J RING	19-JAN-11	N.A.

PROJECT: SUBMITTAL DRAWINGS | SHEET 1 OF 2



LINETYPE LEGEND:

---	MECHANICAL ENCLOSURES
---	AC CABLE - PROVIDED BY OTHERS
---	AC BUS (MBP)
---	BUS CONNECTIONS FOR BREAKERS
---	DC BUS

- NOTES:**
1. INSTALLATION SHALL COMPLY WITH ALL APPLICABLE NATIONAL, STATE AND LOCAL CODES.
 2. PLEASE REFER TO PRODUCT DOCUMENTATION FOR ADDITIONAL DETAILS.
 3. DRAWING DEPICTS POWER SYSTEM CONNECTIONS AND IS NOT REPRESENTATIVE OF PHYSICAL LAYOUT, PLEASE REFER TO MECHANICAL DRAWINGS FOR PHYSICAL LAYOUT.
 - △ 4. AC SOURCE SHALL BE 208VAC, 4 WIRE, WYE CONNECTED, 3φ (CONTACT SCHNEIDER ELECTRIC IF OTHER)
 - △ 5. AC CABLING SHALL BE 600V RATED, 4 WIRE + GROUND, AND SHALL BE RUN IN SEPARATE CONDUITS.
 - △ 6. DC SOURCE SHALL BE 384VDC WITH CENTER TAP, 3 WIRE + GROUND.
 7. CABLE LUGS ARE PROVIDED BY OTHERS.
 - △ 8. XR BATTERY ENCLOSURE IS AVAILABLE WITHOUT BREAKER WITH DC FUSE ONLY
 - △ 9. UP TO FOUR XR BATTERY ENCLOSURES MAY BE CONNECTED TO THE UPS TO EXTEND BACKUP TIME.
 - △ 10. EXTERNAL BATTERY CABINET IS OPTIONAL. BAYING KITS SHALL BE PURCHASED AS AN OPTION. BATTERY SIZING IS BASED ON A MAXIMUM 1 VOLT DROP PER HALF-STRING AT NOMINAL RATED DC CURRENT. CE SHALL ADJUST CABLE SIZE BASED ON INSTALLATION PARAMETERS.
 - △ 11. DC CABLING SHALL BE 600V RATED, 3W+GND, SHALL BE RUN IN SEPARATE CABLING CONDUITS.

THIS DRAWING AND SPECIFICATIONS HEREIN ARE THE PROPERTY OF SCHNEIDER ELECTRIC AND SHALL NOT BE COPIED, REPRODUCED OR USED IN WHOLE OR IN PART, AS THE BASIS FOR THE MANUFACTURE OR SALE OF ITEMS WITHOUT WRITTEN PERMISSION FROM SCHNEIDER ELECTRIC. THIS DRAWING IS BASED UPON LATEST AVAILABLE INFORMATION AND IS SUBJECT TO CHANGE WITHOUT NOTICE.



TITLE: SMART-UPS VT, PARALLEL CAPABLE
 INPUT: 208VAC, 3φ, SINGLE MAINS
 OUTPUT: 208VAC, 10kVA
 REMOTE XR BATTERY ENCLOSURES
 SYSTEM ONE LINE DIAGRAM

DWG NO:	SUVTP10KF1C1-SD	REV:	0
DRAWN BY:	V BUSH	19-JAN-11	PROJ
ENGINEER:	A WARNER	19-JAN-11	ANGLE
APPROVED:	J RING	19-JAN-11	N.A.

SINGLE MAINS, W/REMOTE XR BATTERY CABINETS