

FUNCTIONAL PLATE V930U55-A0
VARIABLE SPEED DRIVE ATV930U55N4
CATEGORIE 3 PLe AND IEC 60204-1 STOP CATEGORY 1
WITH SECURITY MODULE PREVENTA XPS AV
POWER: 5.5 kW

This technical information contained in this document is the exclusive property of Schneider Electric Industries S.A.S and cannot be used or disclosed to third parties of any kind without its written consent. Only those drawings and diagrams permitted after order booking are binding for execution. All devices shown in this diagrams are in open position, drawn out with operating mechanism disassembled and all power sources off.

Les informations techniques contenues dans ce document sont la propriété exclusive de Schneider Electric Industries S.A.S et ne peuvent être utilisées ou divulguées à des tiers quels qu'ils soient sans son accord écrit. Seuls nous engageons pour exécution les plans et schémas remis après enregistrement de la commande. Les appareils représentés sur ce schéma sont en position ouvert, démontés - débranchés - toutes sources coupées.

<p align="center">FUNCTIONAL PLATE V930U55 VARIABLE SPEED DRIVE ATV930U55 POWER 5.5 KW</p>	<p align="center">CELLEAN OFFER</p>
---	-------------------------------------

<p>Echelle Scale 1/1</p>		
<p>Unite / Department</p>		

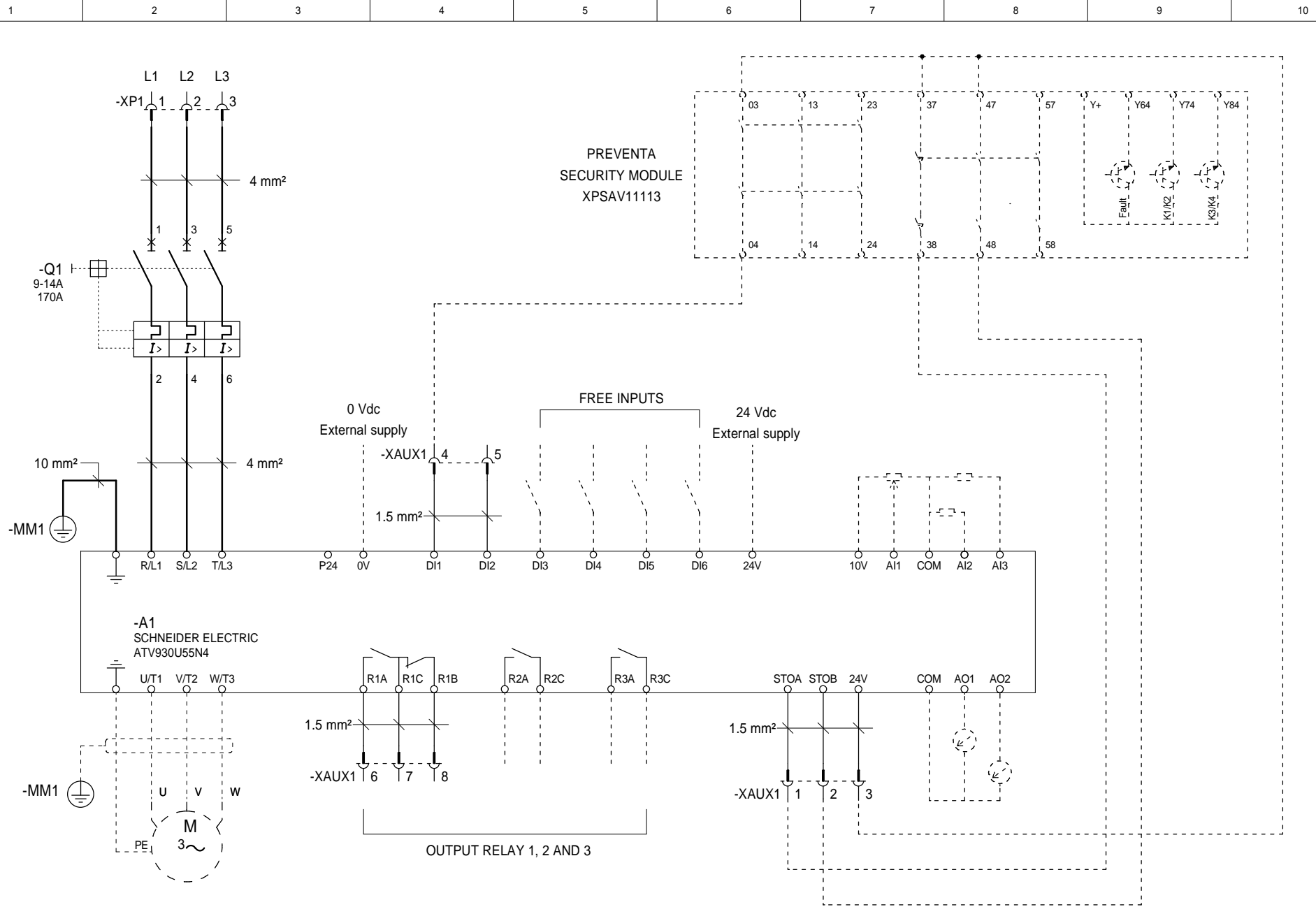
00	16/01/2017	Edition originale / First issue	AKKA	O.MEURANT	A.PERRIN		
Ind	Date	Modification / Modification	Nom / Name	Visa	Nom / Name	Visa	Nom / Name
Rev	Date		Dessine / Drawn	Verifie / Checked	Approuve / Approved	Archiv. Micro-filmed	

Code diffusion Distribution code	Projet - No commande Project - Order No.	PHA3125703	Indice Rev	Folio Sheet
			00	001

1	2		3	4	5	6	7	8	9	10
<p>A</p> <p>This technical information, contained in this document is the exclusive property of Schneider Electric Industries S.A.S. and cannot be used or disclosed to third parties of any kind without its written consent. Only those drawings and diagrams permitted after order booking are binding for execution. All devices shown in this diagrams are in their position. Drawn out with operating mechanism discharged and all power sources off.</p>	Folio	Designation	Indice de modification			Folio	Designation	Indice de modification		
	Sheet	Designation	Revision			Sheet	Designation	Revision		
	001	FRONT PAGE	00							
	002	SUMMARY	00							
	003	FUNCTIONAL PLATE	00							
	004	LAYOUT	00							
	005	WIRE LIST	00							
006	PART LIST	00								
<p>B</p>										
<p>C</p> <p>Les informations techniques contenues dans ce document (y compris les appareils, les câbles, les accessoires, les accessoires de montage et les plans et schémas remis après enregistrement de la commande. Les appareils représentés sur ce schéma sont en position ouvert - "disarmés" - débranchés - toutes sources coupées.</p>										
<p>D</p>										
Archivage Microfilm	SUMMARY			CELLEAN OFFER					PHA3125703 Project - No commande Project - Order No.	
									Indice Rev 00	Folio Sheet 002

This technical information is provided in this document as a service of Schneider Electric Industries S.A.S. and cannot be used or disclosed to third parties without its written consent. Only those drawings and diagrams permitted after order booking are binding for execution. All devices shown in this diagrams are in open position. Drawn out with operating mechanism disengaged and all power sources off.

Les informations techniques contenues dans ce document (sauf les appareils et les câbles) sont la propriété de Schneider Electric Industries S.A.S. et ne peuvent être utilisées ou divulguées à des tiers sans le consentement écrit de Schneider Electric Industries S.A.S. Seul le schéma remis après enregistrement de la commande est valide pour l'exécution. Tous les appareils représentés sur ce schéma sont en position ouverte - disjoints - débrayés - toutes sources coupées.



FUNCTIONAL PLATE
V930U55
VARIABLE SPEED DRIVE ATV930U55
POWER 5.5 KW

CELLEAN OFFER



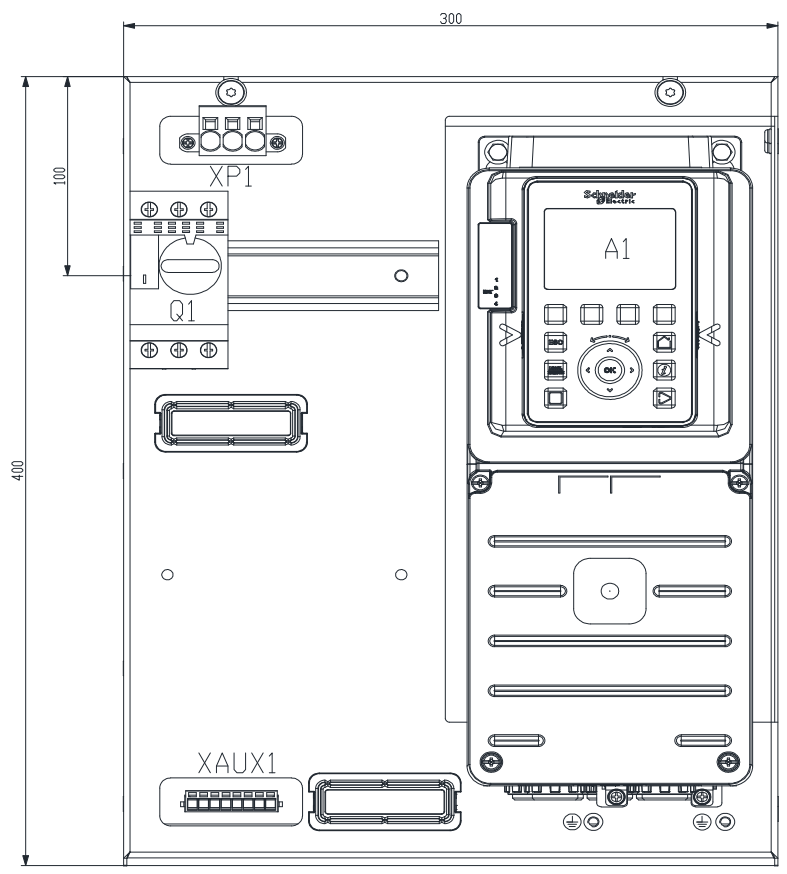
PHA3125703

Project - No commande	Index Rev	Folio Sheet
Project - Order No.	00	003

This technical information, contained in this document is the exclusive property of Schneider Electric Industries S.A.S and cannot be used or disclosed to third parties of any kind without its written consent. Only those drawings and diagrams permitted after order booking are binding for execution. All devices shown in this diagrams are in open position. Drawn out with operating mechanism discharged and all power sources off.

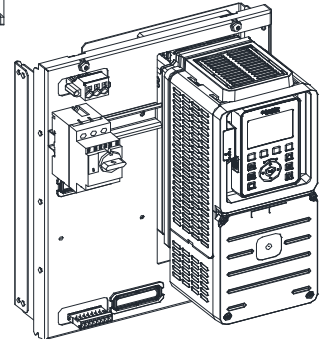
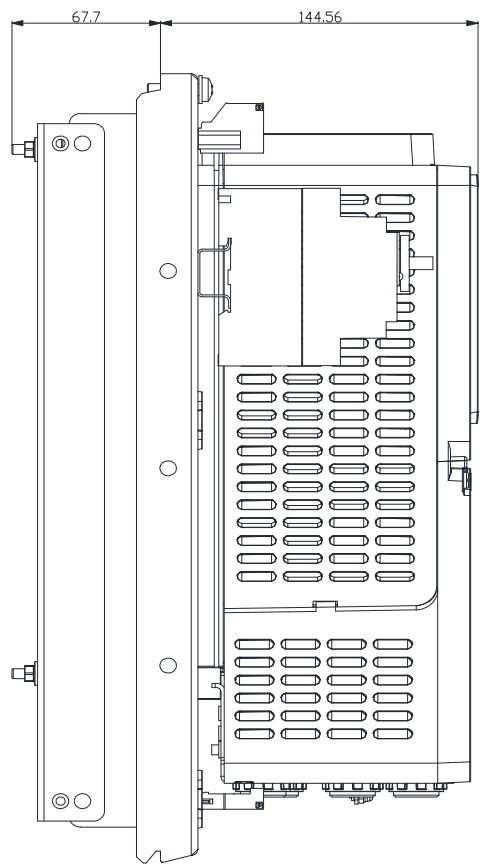
Les informations techniques contenues dans ce document (sauf la propriété exclusive de Schneider Electric Industries S.A.S) ne peuvent être utilisées ou divulguées à des tiers quels qu'ils soient sans son accord écrit. Seuls ceux autorisés par exécution des plans et schémas remis après enregistrement de la commande. Les appareils représentés sur ce schéma sont en position ouverte - débranchés - débranchés - toutes sources coupées.

1 2 3 4 5 6 7 8 9 10



APPROXIMATE WEIGHT : 8500 g

DO NOT DISCONNECT
THE GROUND WIRE
BEFORE DISCONNECTING
THE MOTOR CABLE



Ind.	Date	Modification	Archiv.	Ind.	Date	Modification	Archiv.
00	10/01/2017	Edition originale					

LAYOUT
V930U55
VARIABLE SPEED DRIVE ATV930U55
POWER 5.5 KW

CELLEAN OFFER



PHA3125703
Projet - No commande
Project - Order No.

Indice Rev	Folio Sheet
00	004

1	2		3		4	5	6	7	8	9		10
Type of circuit	Electrical Features		Wire Destination		Sheet N°	Designation	Color	Section	Wire Type	Wire routing in cut out	Câble end	
	P(kW)	I(A)	From	To							From	To
POWER CIRCUIT	5.5 kW	10.4 A	XP1.1	Q1.1	003	UNIPOLAR INSULATED ELECTRIC CABLE	BLACK	4 mm²	H07V-K	/	CABLE END INSULATED LONG SIZE	CABLE END INSULATED
			XP1.2	Q1.3	003	UNIPOLAR INSULATED ELECTRIC CABLE	BLACK	4 mm²	H07V-K		CABLE END INSULATED LONG SIZE	CABLE END INSULATED
			XP1.3	Q1.5	003	UNIPOLAR INSULATED ELECTRIC CABLE	BLACK	4 mm²	H07V-K		CABLE END INSULATED LONG SIZE	CABLE END INSULATED
			A1.M	MM1	003	UNIPOLAR INSULATED ELECTRIC CABLE	G/Y	10 mm²	H07V-K	/	CABLE END INSULATED	CABLE END INSULATED
			Q1.2	A1.L1	003	UNIPOLAR INSULATED ELECTRIC CABLE	BLACK	4 mm²	H07V-K	AMIDDLE BBOTTOM	CABLE END INSULATED	CABLE END INSULATED
			Q1.4	A1.L2	003	UNIPOLAR INSULATED ELECTRIC CABLE	BLACK	4 mm²	H07V-K	AMIDDLE BBOTTOM	CABLE END INSULATED	CABLE END INSULATED
			Q1.6	A1.L3	003	UNIPOLAR INSULATED ELECTRIC CABLE	BLACK	4 mm²	H07V-K	AMIDDLE BBOTTOM	CABLE END INSULATED	CABLE END INSULATED
CONTROL CIRCUIT			XAUX1.1	A1.STOA	003	UNIPOLAR INSULATED ELECTRIC CABLE	BLACK	1.5 mm²	H07V-K	/	CABLE END INSULATED	CABLE END INSULATED
			XAUX1.2	A1.STOB	003	UNIPOLAR INSULATED ELECTRIC CABLE	BLACK	1.5 mm²	H07V-K	/	CABLE END INSULATED	CABLE END INSULATED
			XAUX1.3	A1.24V	003	UNIPOLAR INSULATED ELECTRIC CABLE	BLACK	1.5 mm²	H07V-K	/	CABLE END INSULATED	CABLE END INSULATED
			XAUX1.4	A1.DI1	003	UNIPOLAR INSULATED ELECTRIC CABLE	BLACK	1.5 mm²	H07V-K	/	CABLE END INSULATED	CABLE END INSULATED
			XAUX1.5	A1.DI2	003	UNIPOLAR INSULATED ELECTRIC CABLE	BLACK	1.5 mm²	H07V-K	/	CABLE END INSULATED	CABLE END INSULATED
			XAUX1.6	A1.R1A	003	UNIPOLAR INSULATED ELECTRIC CABLE	BLACK	1.5 mm²	H07V-K	/	CABLE END INSULATED	CABLE END INSULATED
			XAUX1.7	A1.R1C	003	UNIPOLAR INSULATED ELECTRIC CABLE	BLACK	1.5 mm²	H07V-K	/	CABLE END INSULATED	CABLE END INSULATED
			XAUX1.8	A1.R1B	003	UNIPOLAR INSULATED ELECTRIC CABLE	BLACK	1.5 mm²	H07V-K	/	CABLE END INSULATED	CABLE END INSULATED

This technical information contained in this document is the exclusive property of Schneider Electric Industries S.A.S. and cannot be used or disclosed to third parties in any kind without its written consent. Only those drawings and diagrams remitted after order booking are binding for execution. All devices shown in this diagrams are in open position, drawn out with operating mechanism discharged and all power sources cut.

Les informations techniques contenues dans ce document sont la propriété exclusive de Schneider Electric Industries S.A.S. et ne peuvent être utilisées ou divulguées à des tiers sans le consentement écrit de Schneider Electric Industries S.A.S. Seul les schémas remis après commande sont contraignants pour l'exécution. Tous les appareils représentés sont en position ouverte, déchargés et toutes les sources d'alimentation sont coupées.

WIRE LIST
 V930U55
 VARIABLE SPEED DRIVE ATV930U55
 POWER 5.5 KW

CELLEAN OFFER



PHA3125703

Project - No commande
 Project - Order No.

Indice Rev	Folio Sheet
00	005

1 2 3 4 5 6 7 8 9 10

A

B

C

D

A

B

C

D

This technical information contained in this document is the exclusive property of Schneider Electric Industries S.A.S. and cannot be used or disclosed to third parties of any kind without its written consent. Only those drawings and diagrams permitted after order booking are binding for execution. All devices shown in this diagrams are in open position. Drawn out with operating mechanism disassembled and all power sources off.

Les informations techniques contenues dans ce document sont la propriété exclusive de Schneider Electric Industries S.A.S. et ne peuvent être utilisées ou divulguées à des tiers quels qu'ils soient sans son accord écrit. Seuls ceux engagent pour exécution les plans et schémas remis après enregistrement de la commande. Les appareils représentés sur ce schéma sont en position ouvert - démontés - débranchés. Toutes sources coupées.

TAG	SHEET	DESCRIPTION	MANUFACTURER	MANUFACTURER REF.	QTY
A1	003	VARIABLE SPEED DRIVE FOR MOTOR 5.5kW, 380-480VAC 3P	SCHNEIDER ELECTRIC	ATV930U55N4	1
Q1	003	MOTOR CIRCUIT BREAKER	SCHNEIDER ELECTRIC	GV2P16	1
XAUX1	003	MOVING CONNECTOR SINGLE 8P 12A	SCHNEIDER ELECTRIC	LGYDC8APM	1
XP1	003	MOVING CONNECTOR 3P 32A IP2X	SCHNEIDER ELECTRIC	LGYDC3P32M2S	1
		DRIVE PLATE ATV630-930 3-5.5 kW	SCHNEIDER ELECTRIC	NSYME0403CB	1
		DIN RAIL, WIDTH: 35mm, HEIGHT: 15mm, LENGTH: 140mm	-----	DIN RAIL T1.40	1
		SHUTTER AND CABLE GLAND	SCHNEIDER ELECTRIC	NSYMEWGL	2

Ind. Rev	Date	Modification /	Modification	Archiv. Micro-filmed	Ind. Rev	Date	Modification /	Modification	Archiv. Micro-filmed
00	16/01/2017	Edition originale / First issue							

PART LIST

CELLEAN OFFER



PHA3125703	
Project - No commande	Indice Rev
Project - Order No.	00
Folio Sheet	006