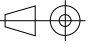



This technical information contained in this document is the exclusive property of Schneider Electric Industries S.A.S and cannot be used or disclosed to third parties of any kind without its written consent. Only those drawings and diagrams permitted after order booking are binding for execution. All devices shown in this diagrams are in open position, drawn out with operating mechanism disassembled and all power sources off.

Les informations techniques contenues dans ce document sont la propriété exclusive de Schneider Electric Industries S.A.S et ne peuvent être utilisées ou divulguées à des tiers quels qu'ils soient sans son accord écrit. Seuls nos engagements pour l'exécution des plans et schémas remis après enregistrement de la commande. Les appareils représentés sur ce schéma sont en position ouverte, démontés - tous les sources coupées.

FUNCTIONAL PLATE V320U40-A0
VARIABLE SPEED DRIVE ATV320U40N4C
CATEGORIE 4, PL e/SIL3 ON STO FUNCTION AND LI3
WITH SECURITY MODULE PREVENTA XPS AV
POWER: 4 kW

FUNCTIONAL PLATE V320U40 VARIABLE SPEED DRIVE ATV320U40 POWER 4 KW				CELLEAN OFFER			
Echelle Scale		1/1					
Unite / Department							
Code diffusion Distribution code	Projet - No commande Project - Order No.			PHA1551503	Indice Rev		
				00	Folio Sheet		
					001		

00	16/01/2017	Edition originale / First issue	AKKA	O.MEURANT	A.PERRIN				
Ind	Date	Modification / Modification	Nom / Name	Visa	Nom / Name	Visa	Nom / Name	Visa	Archiv. Micro-filmed
Rev	Date		Dessine / Drawn		Verifie / Checked		Approuve / Approved		

1	2		3		4		5		6		7		8		9		10	
Folio	Designation		Indice de modification						Folio	Designation		Indice de modification						
Sheet	Designation		Revision						Sheet	Designation		Revision						
001	FRONT PAGE		00															
002	SUMMARY		00															
003	FUNCTIONAL PLATE		00															
004	LAYOUT		00															
005	WIRE LIST		00															
006	PART LIST		00															

This technical information, contained in this document is the exclusive property of Schneider Electric Industries S.A.S. and cannot be used or disclosed to third parties of any kind without its written consent. Only those drawings and diagrams permitted after order booking are binding for execution. All devices shown in this diagrams are in their position. Drawn out with operating mechanism discharged and all power sources off.

Les informations techniques contenues dans ce document (sauf la propriété intellectuelle de Schneider Electric Industries S.A.S) et ne peuvent être utilisées ou divulguées à des tiers (sauf à des fins utiles ou le savoir sans son accord écrit). Seuls ceux engagés pour l'exécution des plans et schémas remis après enregistrement de la commande. Les appareils représentés sur ce schéma sont en position ouvert - débranchés - débranchés - toutes sources coupées.

Archivage
Microfilm

SUMMARY

CELLEAN OFFER

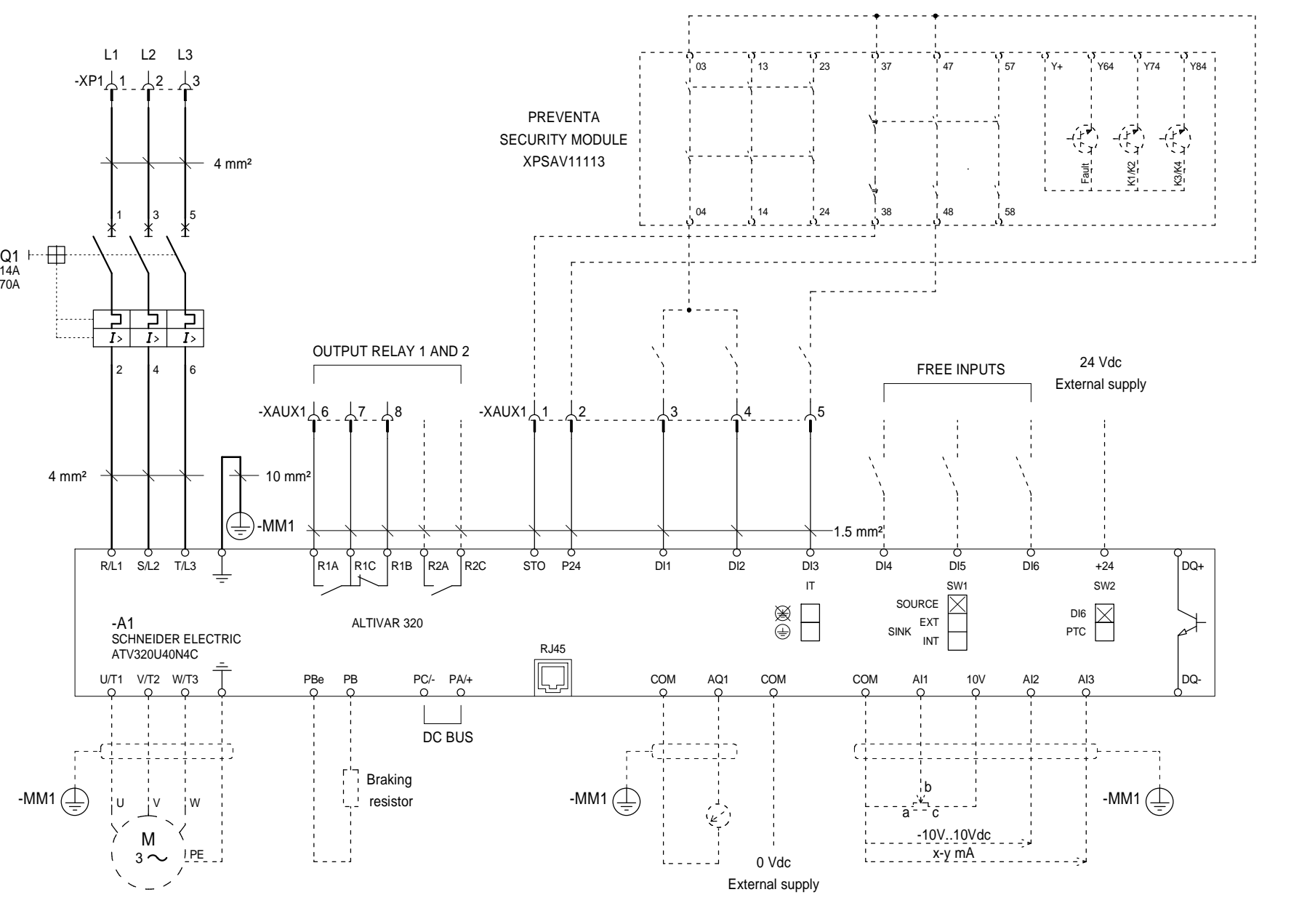


PHA1551503
 Project - No commande
 Project - Order No.
 Indice Rev 00
 Folio Sheet 002

This technical information is provided in this document as a service of Schneider Electric Industries S.A.S. and cannot be used or disclosed to third parties without its written consent. Only those drawings and diagrams permitted after order booking are binding for execution. All devices shown in this diagrams are in open position. Drawn out with operating mechanism disengaged and all power sources off.

Les informations techniques contenues dans ce document sont la propriété exclusive de Schneider Electric Industries S.A.S. et ne peuvent être utilisées ou divulguées à des tiers sans la signature et le sceau de Schneider Electric Industries S.A.S. Les plans et schémas remis après enregistrement de la commande. Les appareils représentés sur ce schéma sont en position ouvert - débrayés - débrayés - toutes sources coupées.

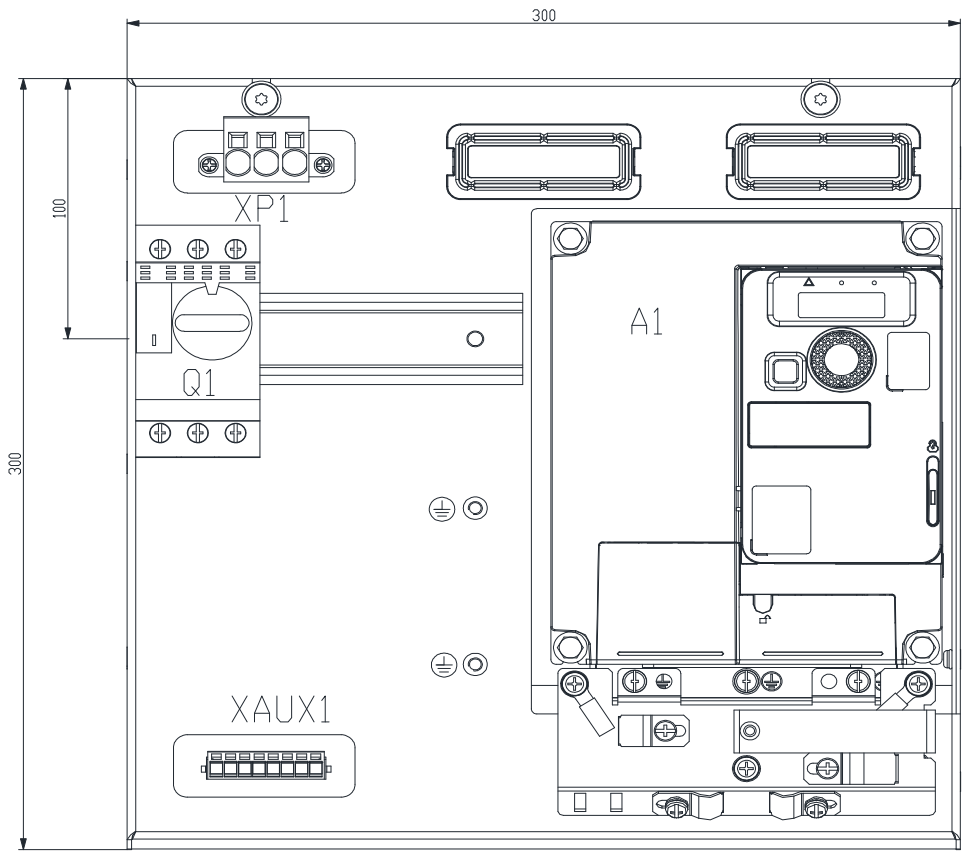
1 2 3 4 5 6 7 8 9 10



Rev	Date	Modification	Micro-filmed	Rev	Date	Modification	Micro-filmed
00	16/01/2017	First issue					

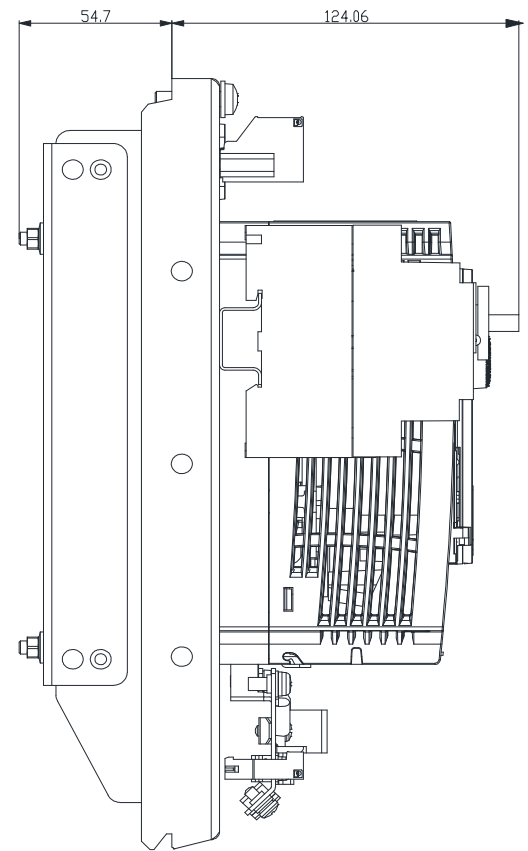
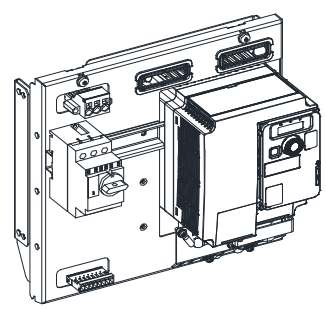
This technical information contained in this document is the exclusive property of Schneider Electric Industries S.A.S. and cannot be used or disclosed to third parties of any kind without its written consent. Only those drawings and diagrams permitted after order booking are pending for execution. All devices shown in this diagrams are in open position. Drawn out with operating mechanism discharged and all power sources off.

Les informations techniques contenues dans ce document sont la propriété exclusive de Schneider Electric Industries S.A.S. et ne peuvent être utilisées ou divulguées à des tiers quels qu'ils soient sans son accord écrit. Seuls ceux autorisés par exécution des plans et schémas remis après enregistrement de la commande. Les appareils représentés sur ce schéma sont en position ouverte - débranchés - débranchés - toutes sources coupées.



APPROXIMATE WEIGHT : 5000 g

DO NOT DISCONNECT
THE GROUND WIRE
BEFORE DISCONNECTING
THE MOTOR CABLE



Rev	Date	Modification	Micro-filmed	Rev	Date	Modification	Micro-filmed
00	10/01/2017	First issue					

LAYOUT
V320U40
VARIABLE SPEED DRIVE ATV320U40
POWER 4 KW

CELLEAN OFFER



PHA1551503
 Project - No commande
 Project - Order No.
 Indice Rev 00
 Folio Sheet 004

1	2		3		4	5	6	7	8	9	10
Type of circuit	Electrical Features		Wire Destination		Sheet N°	Designation	Color	Section	Wire Type	Câble end	
	P(kW)	I(A)	From	To						From	To
POWER CIRCUIT	4 kW	13.7 A	XP1.1	Q1.1	003	UNIPOLAR INSULATED ELECTRIC CABLE	BLACK	4 mm²	H07V-K	CABLE END INSULATED LONG SIZE	CABLE END INSULATED
			XP1.2	Q1.3	003	UNIPOLAR INSULATED ELECTRIC CABLE	BLACK	4 mm²	H07V-K	CABLE END INSULATED LONG SIZE	CABLE END INSULATED
			XP1.3	Q1.5	003	UNIPOLAR INSULATED ELECTRIC CABLE	BLACK	4 mm²	H07V-K	CABLE END INSULATED LONG SIZE	CABLE END INSULATED
			Q1.2	A1.L1	003	UNIPOLAR INSULATED ELECTRIC CABLE	BLACK	4 mm²	H07V-K	CABLE END INSULATED	CABLE END INSULATED
			Q1.4	A1.L2	003	UNIPOLAR INSULATED ELECTRIC CABLE	BLACK	4 mm²	H07V-K	CABLE END INSULATED	CABLE END INSULATED
			Q1.6	A1.L3	003	UNIPOLAR INSULATED ELECTRIC CABLE	BLACK	4 mm²	H07V-K	CABLE END INSULATED	CABLE END INSULATED
			A1.M	MM1	003	UNIPOLAR INSULATED ELECTRIC CABLE	G/Y	10 mm²	H07V-K	CABLE END INSULATED	CABLE END INSULATED
CONTROL CIRCUIT			XAUX1.1	A1.STO	003	UNIPOLAR INSULATED ELECTRIC CABLE	BLACK	1.5 mm²	H07V-K	CABLE END INSULATED	CABLE END INSULATED
			XAUX1.2	A1.P24	003	UNIPOLAR INSULATED ELECTRIC CABLE	BLACK	1.5 mm²	H07V-K	CABLE END INSULATED	CABLE END INSULATED
			XAUX1.3	A1.DI1	003	UNIPOLAR INSULATED ELECTRIC CABLE	BLACK	1.5 mm²	H07V-K	CABLE END INSULATED	CABLE END INSULATED
			XAUX1.4	A1.DI2	003	UNIPOLAR INSULATED ELECTRIC CABLE	BLACK	1.5 mm²	H07V-K	CABLE END INSULATED	CABLE END INSULATED
			XAUX1.5	A1.DI3	003	UNIPOLAR INSULATED ELECTRIC CABLE	BLACK	1.5 mm²	H07V-K	CABLE END INSULATED	CABLE END INSULATED
			XAUX1.6	A1.R1A	003	UNIPOLAR INSULATED ELECTRIC CABLE	BLACK	1.5 mm²	H07V-K	CABLE END INSULATED	CABLE END INSULATED
			XAUX1.7	A1.R1C	003	UNIPOLAR INSULATED ELECTRIC CABLE	BLACK	1.5 mm²	H07V-K	CABLE END INSULATED	CABLE END INSULATED
			XAUX1.8	A1.R1B	003	UNIPOLAR INSULATED ELECTRIC CABLE	BLACK	1.5 mm²	H07V-K	CABLE END INSULATED	CABLE END INSULATED
<p style="font-size: small; text-align: center;">WIRE LIST V320U40 VARIABLE SPEED DRIVE ATV320U40 POWER 4 KW</p>											

This technical information contained in this document is the exclusive property of Schneider Electric Industries S.A.S. and cannot be used or disclosed to third parties of any kind without its written consent. Only those drawings and diagrams permitted after order booking are binding for execution. All devices shown in this diagrams are in open position, drawn out with operating mechanism disengaged and all power sources off.

Les informations techniques contenues dans ce document (sauf la propriété exclusive de Schneider Electric Industries S.A.S. et ne pouvant être utilisées ou divulguées à des tiers) sont à des fins purement informatives et ne sont pas destinées à être utilisées sans l'accord écrit de Schneider Electric Industries S.A.S. Les appareils représentés sur ce schéma sont en position ouverte - débrayés - toutes sources coupées.

Rev	Date	Modification	Micro-filmed	Rev	Date	Modification	Micro-filmed
00	10/01/2017	First issue					

WIRE LIST
 V320U40
 VARIABLE SPEED DRIVE ATV320U40
 POWER 4 KW



PHA1551503

Projet - No commande
 Project - Order No.

Indice Rev 00
 Folio Sheet 005

1	2		3		4		5		6		7		8		9		10	
TAG	SHEET	DESCRIPTION						MANUFACTURER		MANUFACTURER REF.		QTY						
A1	003	VARIABLE SPEED DRIVE ATV 320 FOR MOTOR 4kW, 380...500VAC 3-PHASE						SCHNEIDER ELECTRIC		ATV320U40N4C		1						
Q1	003	MOTOR CIRCUIT BREAKER						SCHNEIDER ELECTRIC		GV2P16		1						
XAUX1	003	MOVING CONNECTOR SINGLE 8P 12A						SCHNEIDER ELECTRIC		LGYDC8APM		1						
XP1	003	MOVING CONNECTOR 3P 32A IP2X						SCHNEIDER ELECTRIC		LGYDC3P32M2S		1						
		DRIVE PLATE ATV320 2.2-4 kW & ATV212 7.5-11 kW						SCHNEIDER ELECTRIC		NSYME0303CA		1						
		DIN RAIL, WIDTH: 35mm, HEIGHT: 15mm, LENGTH: 138mm						-----		DIN RAIL T1.38		1						
		SHUTTER AND CABLE GLAND						SCHNEIDER ELECTRIC		NSYMEWGL		2						

This technical information contained in this document is the exclusive property of Schneider Electric Industries S.A.S. and cannot be used or disclosed to third parties of any kind without its written consent. Only those drawings and diagrams permitted after order booking are binding for execution. All devices shown in this diagrams are in open position. Drawn out with operating mechanism disengaged and all power sources off.

Les informations techniques contenues dans ce document (schémas, appareils, etc.) sont la propriété exclusive de Schneider Electric Industries S.A.S. et ne peuvent être utilisées ou divulguées à des tiers, qu'ils ou les soient sans son accord écrit. Seuls nos engagements par exécution, les plans et schémas remis après enregistrement de la commande. Les appareils représentés sur ce schéma sont en position ouvert - débrayés - toutes sources coupées.

PART LIST										CELLEAN OFFER								PHA1551503			
00	16/01/2017	Edition originale / First Issue				Ind.	Archiv.	Date	Modification / Modification		Archiv.	Project - No commande						Indice	Folio		
Rev.	Date	Modification / Modification				Rev	Micro-filmed	Date			Micro-filmed	Project - Order No.				00	006				