

A

B

C

D

A

B

C

D

This technical information contained in this document is the exclusive property of Schneider Electric Industries S.A.S and cannot be used or disclosed to third parties of any kind without its written consent. Only those drawings and diagrams permitted after order booking are binding for execution. All devices shown in this diagrams are in open position, drawn out with operating mechanism disassembled and at power sources off.

Les informations techniques contenues dans ce document sont la propriété exclusive de Schneider Electric Industries S.A.S et ne peuvent être utilisées ou divulguées à des tiers quels qu'ils soient sans son accord écrit. Seuls nos engagements pour l'exécution des plans et schémas remis après enregistrement de la commande. Les appareils représentés sur ce schéma sont en position ouverte, démontés - débranchés - toutes sources coupées.


FUNCTIONAL PLATE V212D45-A0
VARIABLE SPEED DRIVE ATV212HD45N4
POWER: 45 kW

FUNCTIONAL PLATE V212D45 VARIABLE SPEED DRIVE V212HD45 POWER 45 KW	CELLEAN OFFER
---	---------------

Echelle Scale	1/1		
Unite / Department			

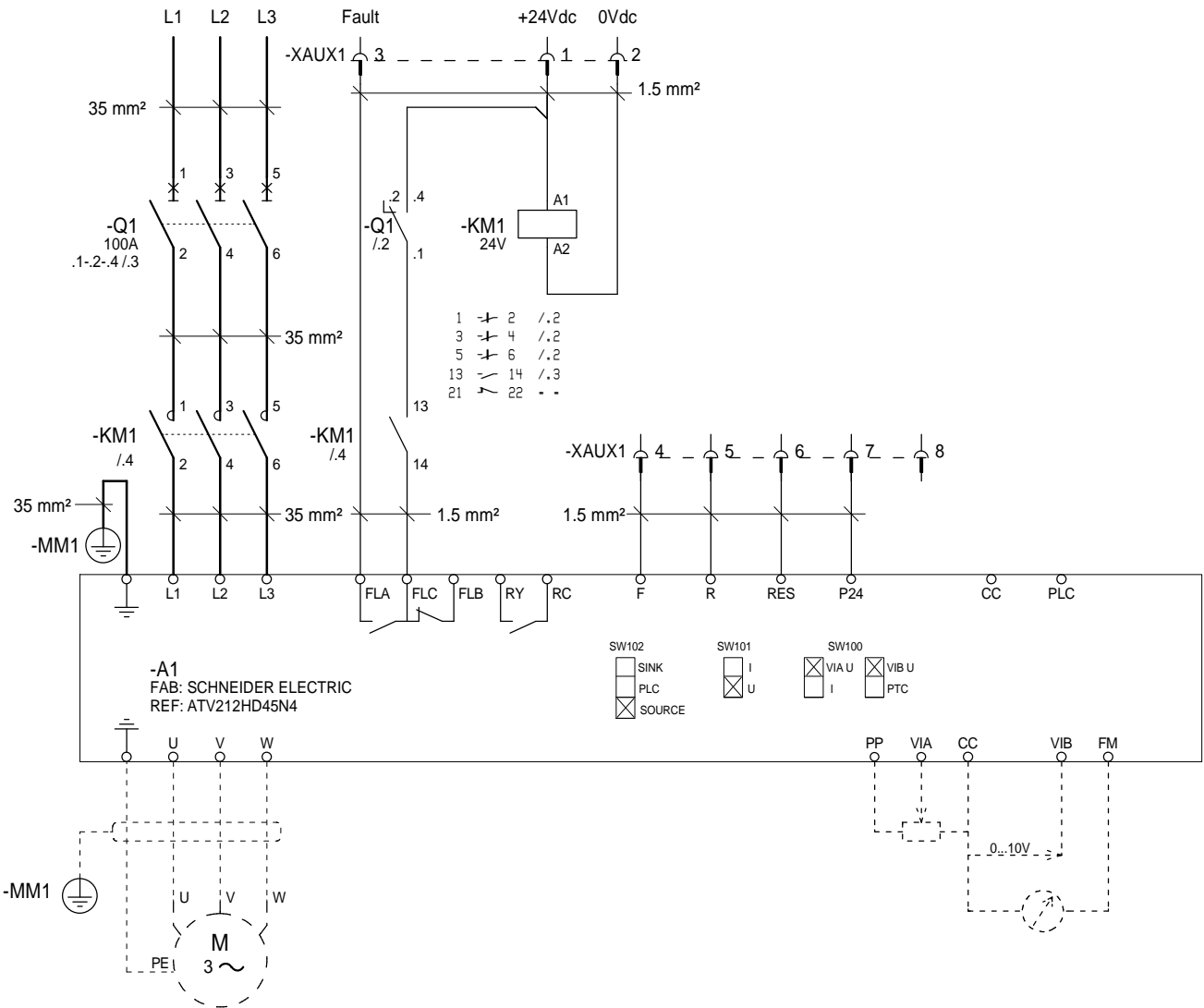
Code diffusion Distribution code	Project - No commande Project - Order No.	PHA1836503	Indice Rev	Folio Sheet
			00	001

00	16/01/2017	Edition originale / First issue	AKKA	O.MEURANT	A.PERRIN				
Ind	Date	Modification / Modification	Nom / Name	Visa	Nom / Name	Visa	Nom / Name	Visa	Archiv. Micro-filmed
Rev	Date		Dessine / Drawn		Verifie / Checked		Approuve / Approved		

1	2		3	4	5	6	7	8	9	10	
<p>This technical information, contained in this document is the exclusive property of Schneider Electric Industries S.A.S and cannot be used or disclosed to third parties of any kind without its written consent. Only those drawings and diagrams permitted after order booking are binding for execution. All devices shown in this diagrams are in their original position. Drawn out with operating mechanism discharged and all power sources off.</p>	Folio	Designation	Indice de modification			Folio	Designation	Indice de modification			
	Sheet	Designation	Revision			Sheet	Designation	Revision			
	001	FRONT PAGE	00								
	002	SUMMARY	00								
	003	FUNCTIONAL PLATE	00								
	004	LAYOUT	00								
	005	WIRE LIST	00								
006	PART LIST	00									
<p>Les informations techniques contenues dans ce document (y compris les appareils, équipements, Schneider Electric Industries S.A.S) ne peuvent être utilisées ou divulguées à des tiers (y compris les sociétés affiliées) sans son accord écrit. Seuls ceux autorisés par le fabricant sont en position ouverte - débranchés - débranchés - toutes sources coupées.</p>											
<p>Archivage Microfilm</p>											
<p>SUMMARY</p>											
<p>CELLEAN OFFER</p>											
											
<p>PHA1836503</p>											
<p>Project - No commande</p>											
<p>Project - Order No.</p>											
<p>Indice Rev 00</p>											
<p>Folio Sheet 002</p>											

This technical information is the exclusive property of Schneider Electric Industries S.A.S. and cannot be used or disclosed to third parties of any kind without its written consent. Only those diagrams and diagrams permitted after order booking are binding for execution. All devices shown in this diagrams are in open position. Drawn out with operating mechanism discharged and all power sources off.

Les informations techniques contenues dans ce document sont la propriété exclusive de Schneider Electric Industries S.A.S. et ne peuvent être utilisées ou divulguées à des tiers quels qu'ils soient sans son accord écrit. Seuls ceux autorisés par l'exécution des plans et schémas remis après enregistrement de la commande. Les appareils représentés sur ce schéma sont en position ouverte - débranchés - toutes sources coupées.



FUNCTIONAL PLATE
V212D45
VARIABLE SPEED DRIVE V212HD45
POWER 45 KW

CELLEAN OFFER



PHA1836503

Project - No commande	Index Rev	Folio Sheet
Project - Order No.	00	003

A

B

C

D

A

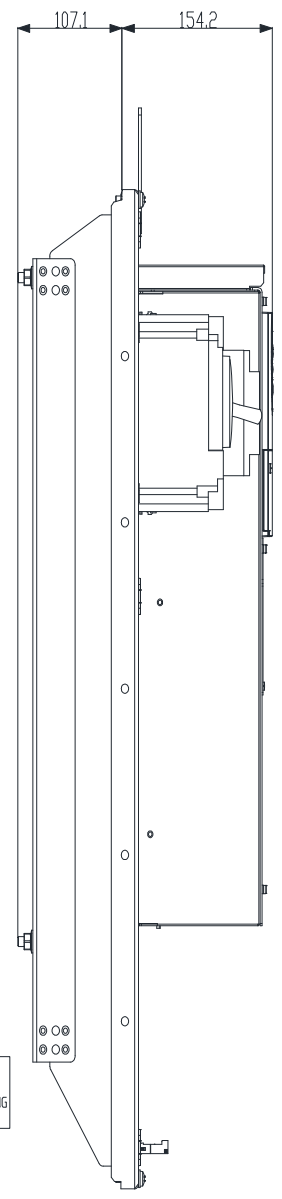
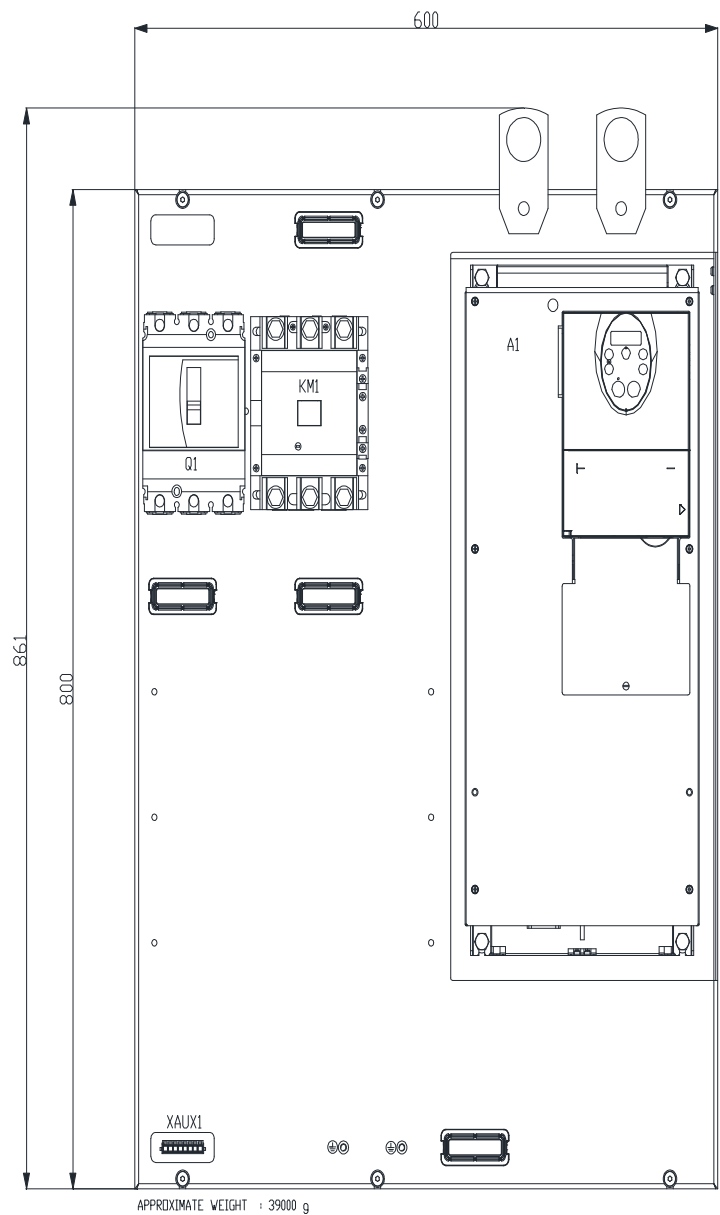
B

C

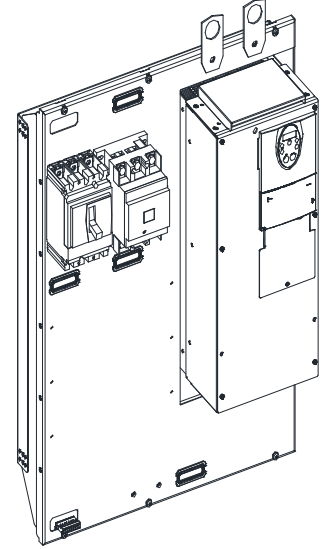
D

This technical information contained in this document is the exclusive property of Schneider Electric Industries S.A.S. and cannot be used or disclosed to third parties of any kind without its written consent. Only those drawings and diagrams permitted after order booking are binding for execution. All devices shown in this diagrams are in open position. Drawn out with operating mechanism discharged and all power sources off.

Les informations techniques contenues dans ce document (y compris les appareils, les câbles, les accessoires, les schémas, les plans et schémas remis après enregistrement de la commande. Les appareils représentés sur ce schéma sont en position ouverte - débranchés - toutes sources coupées.



DO NOT DISCONNECT THE GROUND WIRE BEFORE DISCONNECTING THE MOTOR CABLE



Ind.	Date	Modification	Archiv.	Ind.	Date	Modification	Archiv.
00	10/01/2017	Edition originale					

LAYOUT
V212D45
VARIABLE SPEED DRIVE V212HD45
POWER 45 KW

CELLEAN OFFER



PHA1836503		Indice	Folio
Projet - No commande		Rev	Sheet
Project - Order No.		00	004

1	2		3		4	5	6	7	8	9		10
Type of circuit	Electrical Features		Wire Destination		Sheet N°	Designation	Color	Section	Wire Type	Wire routing in cut out	Câble end	
	P (kW)	I (A)	From	To							From	To
POWER CIRCUIT	45 kW	83.8 A	----	Q1.1	003	UNIPOLAR INSULATED ELECTRIC CABLE	BLACK	35 mm²	H07V-K	ATOP	CABLE END INSULATED	CABLE END INSULATED
			----	Q1.3	003	UNIPOLAR INSULATED ELECTRIC CABLE	BLACK	35 mm²	H07V-K	ATOP	CABLE END INSULATED	CABLE END INSULATED
			----	Q1.5	003	UNIPOLAR INSULATED ELECTRIC CABLE	BLACK	35 mm²	H07V-K	ATOP	CABLE END INSULATED	CABLE END INSULATED
			Q1.2	KM1.1	003	UNIPOLAR INSULATED ELECTRIC CABLE	BLACK	35 mm²	H07V-K	AMIDDLE BTOP	CABLE END INSULATED	CABLE END INSULATED
			Q1.4	KM1.3	003	UNIPOLAR INSULATED ELECTRIC CABLE	BLACK	35 mm²	H07V-K	AMIDDLE BTOP	CABLE END INSULATED	CABLE END INSULATED
			Q1.6	KM1.5	003	UNIPOLAR INSULATED ELECTRIC CABLE	BLACK	35 mm²	H07V-K	AMIDDLE BTOP	CABLE END INSULATED	CABLE END INSULATED
			A1.M	MM1	003	UNIPOLAR INSULATED ELECTRIC CABLE	G/Y	35 mm²	H07V-K		CABLE END INSULATED	CABLE END INSULATED
			KM1.2	A1.L1	003	UNIPOLAR INSULATED ELECTRIC CABLE	BLACK	35 mm²	H07V-K	BMIDDLE CBOTTOM	CABLE END INSULATED	CABLE END INSULATED
			KM1.4	A1.L2	003	UNIPOLAR INSULATED ELECTRIC CABLE	BLACK	35 mm²	H07V-K	BMIDDLE CBOTTOM	CABLE END INSULATED	CABLE END INSULATED
			KM1.6	A1.L3	003	UNIPOLAR INSULATED ELECTRIC CABLE	BLACK	35 mm²	H07V-K	BMIDDLE CBOTTOM	CABLE END INSULATED	CABLE END INSULATED
CONTROL CIRCUIT			XAUX1.1	KM1.A1	003	UNIPOLAR INSULATED ELECTRIC CABLE	BLACK	1.5 mm²	H07V-K		CABLE END INSULATED	CABLE END INSULATED
			XAUX1.2	KM1.A2	003	UNIPOLAR INSULATED ELECTRIC CABLE	BLACK	1.5 mm²	H07V-K		CABLE END INSULATED	CABLE END INSULATED
			KM1.A1	Q1.43	003	UNIPOLAR INSULATED ELECTRIC CABLE	BLACK	1.5 mm²	H07V-K		CABLE END INSULATED	CABLE END INSULATED
			Q1.44	KM1.13	003	UNIPOLAR INSULATED ELECTRIC CABLE	BLACK	1.5 mm²	H07V-K		CABLE END INSULATED	CABLE END INSULATED
			KM1.14	A1.FLC	003	UNIPOLAR INSULATED ELECTRIC CABLE	BLACK	1.5 mm²	H07V-K		CABLE END INSULATED	CABLE END INSULATED
			XAUX1.3	A1.FLA	003	UNIPOLAR INSULATED ELECTRIC CABLE	BLACK	1.5 mm²	H07V-K		CABLE END INSULATED	CABLE END INSULATED
			XAUX1.4	A1.F	003	UNIPOLAR INSULATED ELECTRIC CABLE	BLACK	1.5 mm²	H07V-K		CABLE END INSULATED	CABLE END INSULATED
			XAUX1.5	A1.R	003	UNIPOLAR INSULATED ELECTRIC CABLE	BLACK	1.5 mm²	H07V-K		CABLE END INSULATED	CABLE END INSULATED
			XAUX1.6	A1.RES	003	UNIPOLAR INSULATED ELECTRIC CABLE	BLACK	1.5 mm²	H07V-K		CABLE END INSULATED	CABLE END INSULATED
			XAUX1.7	A1.P24	003	UNIPOLAR INSULATED ELECTRIC CABLE	BLACK	1.5 mm²	H07V-K		CABLE END INSULATED	CABLE END INSULATED

This technical information remains the exclusive property of Schneider Electric Industries S.A.S. and cannot be used or disclosed to third parties of any kind without its written consent. Only those drawings and diagrams remitted after order booking are binding for execution. All devices shown in this diagrams are in open position, drawn out with separating mechanism disengaged and all power sources off.

Les informations techniques contenues dans ce document (sauf la propriété exclusive de Schneider Electric Industries S.A.S. et ne peuvent être utilisées ou divulguées à des tiers sans la signature de la commande. Les appareils représentés sur ce schéma sont en position ouvert - disjuncteurs - débrayés - toutes sources coupées.

WIRE LIST
 V212D45
 VARIABLE SPEED DRIVE V212HD45
 POWER 45 KW

CELLEAN OFFER



PHA1836503
 Projet - No commande
 Project - Order No.

Indice Rev	Folio Sheet
00	005

TAG	SHEET	DESCRIPTION	MANUFACTURER	MANUFACTURER REF.	QTY
KM1	003	CONT 115A 24VDC	SCHNEIDER ELECTRIC	LC1D115BD	1
Q1	003	AUXILIARY CONTACT - 1 OC OR 1 SD OR 1 SDE OR 1 SDV - FOR MINIATURE CIRCUIT	SCHNEIDER ELECTRIC	29450	1
Q1	003	SHORT TERMINAL SHIELD 3P	SCHNEIDER ELECTRIC	LV429515	2
Q1	003	CIRCUIT BREAKER COMPACT NSX100F - MA - 100 A - 3 POLES 3D	SCHNEIDER ELECTRIC	LV429740	1
XAUX1	003	MOVING CONNECTOR SINGLE 8P 12A	SCHNEIDER ELECTRIC	LGYDC8APM	1
		DRIVE PLATE ATV212 37-45 kW	SCHNEIDER ELECTRIC	NSYME0806CA	1
		SHUTTER AND CABLE GLAND	SCHNEIDER ELECTRIC	NSYMEWGL	4

This technical information contained in this document is the exclusive property of Schneider Electric Industries S.A.S. diagrams, drawings and cannot be used or disclosed to third parties of any kind without its written consent. Only those drawings and diagrams are in open position, drawn out with operating mechanism disassembled and all power sources cut.

Les informations techniques contenues dans ce document (textes, schémas, croquis, etc.) sont la propriété exclusive de Schneider Electric Industries S.A.S. et ne peuvent être utilisées ou divulguées à des tiers, qu'ils ou les soient sans son accord écrit. Seuls nos engagements par exécution, les plans et schémas remis après enregistrement de la commande. Les appareils représentés sur ce schéma sont en position ouvert - déconnectés - débranchés - toutes sources coupées.

00	16/01/2017	Edition originale / First issue									
Ind. Rev	Date	Modification / Modification	Archiv. Micro-filmed	Ind. Rev	Date	Modification / Modification	Archiv. Micro-filmed				

PART LIST

CELLEAN OFFER



PHA1836503	
Project - No commande	Indice Rev 00
Project - Order No.	Folio Sheet 006