

A

B

C

D

A

B

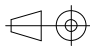

C

D

This technical information contained in this document is the exclusive property of Schneider Electric Industries S.A.S and cannot be used or disclosed to third parties of any kind without its written consent. Only those drawings and diagrams permitted after order booking are binding for execution. All devices shown in this diagrams are in open position, drawn out with operating mechanism disassembled and at power sources off.

Les informations techniques contenues dans ce document sont la propriété exclusive de Schneider Electric Industries S.A.S et ne peuvent être utilisées ou divulguées à des tiers quels qu'ils soient sans son accord écrit. Seuls nos engagements pour exécution les plans et schémas remis après enregistrement de la commande. Les appareils représentés sur ce schéma sont en position ouverte, démontés - tous sources coupées.

**FUNCTIONAL PLATE V212D22-A0**  
**VARIABLE SPEED DRIVE ATV212HD22N4**  
**POWER: 22 kW**

FUNCTIONAL PLATE V212D22 VARIABLE SPEED DRIVE V212HD22 POWER 22 KW				CELLEAN OFFER			
Echelle Scale 1/1							
Unite / Department		Code diffusion Distribution code		Projet - No commande Project - Order No.		Indice Rev 00	
Archiv. Micro- filmed		PH A1794203		Folio Sheet 001			

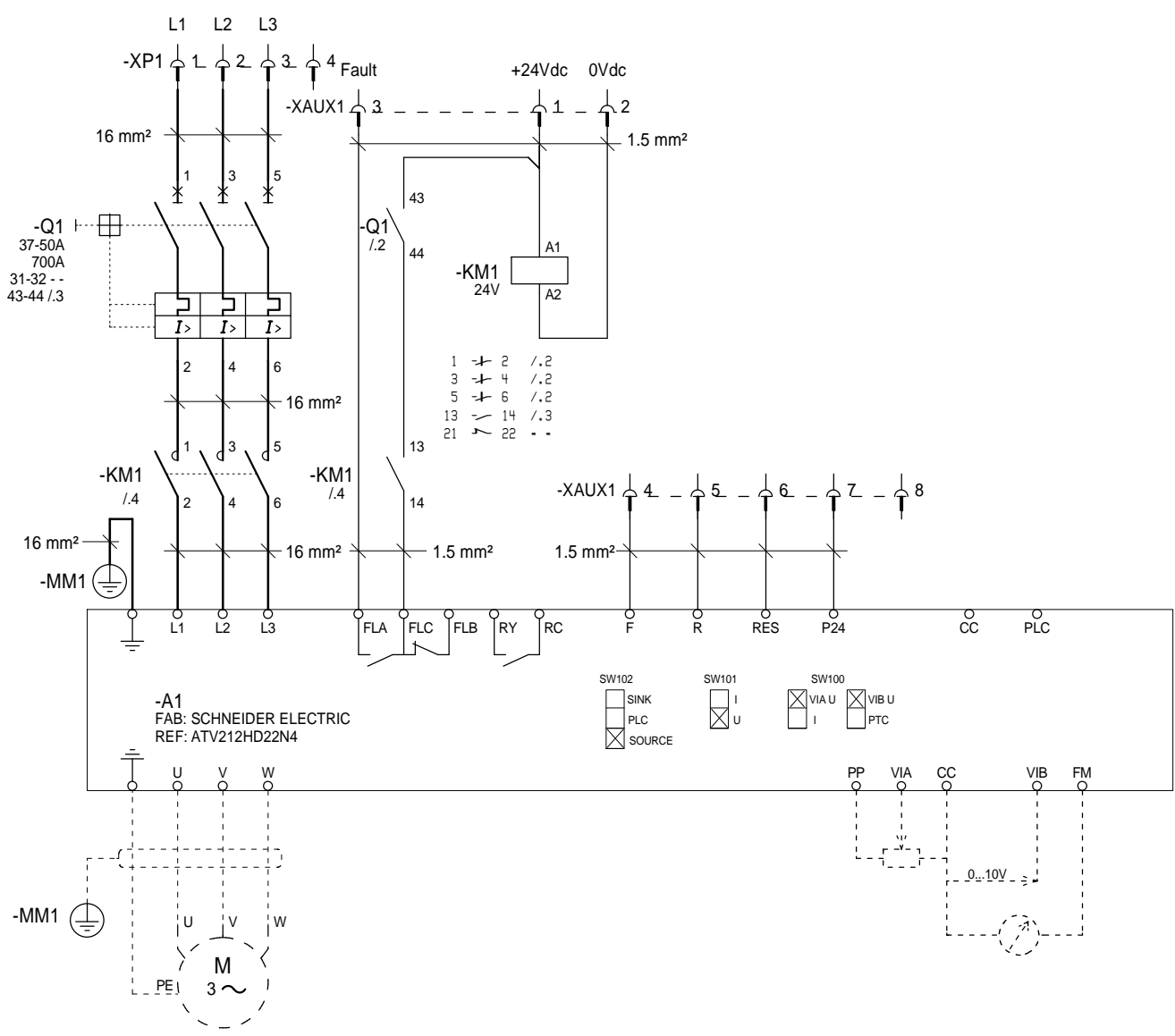
00	16/01/2017	Edition originale / First issue	AKKA	O.MEURANT	A.PERRIN		
Ind	Date	Modification / Modification	Nom / Name	Visa	Nom / Name	Visa	Archiv. Micro- filmed
Rev	Date		Dessine / Drawn	Verifie / Checked	Approuve / Approved		

	1	2	3	4	5	6	7	8	9	10		
<p><b>A</b></p> <p>This technical information, contained in this document is the exclusive property of Schneider Electric Industries S.A.S and cannot be used or disclosed to third parties of any kind without its written consent. Only those drawings and diagrams permitted after order booking are binding for execution. All devices shown in this diagrams are in their original position. Drawn out with operating mechanism discharged and all power sources off.</p>	<b>Folio</b> Sheet	<b>Designation</b> Designation	<b>Indice de modification</b> Revision			<b>Folio</b> Sheet	<b>Designation</b> Designation	<b>Indice de modification</b> Revision				
	001	FRONT PAGE	00									
	002	SUMMARY	00									
	003	FUNCTIONAL PLATE	00									
	004	LAYOUT	00									
	005	WIRE LIST	00									
	006	PART LIST	00									
<p><b>B</b></p>												
	<p><b>C</b></p> <p>Les informations techniques contenues dans ce document (y compris les appareils, équipements, Schneider Electric S.A.S et ne peuvent être utilisées ou divulguées à des tiers sans le consentement écrit de Schneider Electric S.A.S. Tous les plans et schémas remis après enregistrement de la commande. Les appareils représentés sur ce schéma sont en position ouverte - débranchés - tous les sources coupées.</p>											
<p><b>D</b></p>												
	Archivage Microfilm			SUMMARY			CELLEAN OFFER					
										<b>PHA1794203</b> Project - No commande Project - Order No.		
										Indice Rev 00	Folio Sheet 002	

This technical information is the property of Schneider Electric Industries S.A.S. and cannot be used or disclosed to third parties of any kind without its written consent. Only those drawings and diagrams permitted after order booking are binding for execution. All devices shown in this diagrams are in open position. Drawn out with operating mechanism discharged and all power sources off.

Les informations techniques contenues dans ce document sont la propriété exclusive de Schneider Electric Industries S.A.S. et ne peuvent être utilisées ou divulguées à des tiers quels qu'ils soient sans son accord écrit. Seuls ceux autorisés par l'exécution des plans et schémas remis après enregistrement de la commande. Les appareils représentés sur ce schéma sont en position ouverte - débranchés - débranchés - toutes sources coupées.

1 2 3 4 5 6 7 8 9 10



FUNCTIONAL PLATE  
V212D22  
VARIABLE SPEED DRIVE V212HD22  
POWER 22 KW

CELLEAN OFFER



PHA1794203		Index Rev	Folio Sheet
Project - No commande		00	003
Project - Order No.			

This technical information contained in this document is the exclusive property of Schneider Electric Industries S.A.S. and cannot be used or disclosed to third parties of any kind without its written consent. Only those drawings and diagrams permitted after order booking are binding for execution. All devices shown in this diagrams are in open position. Drawn out with operating mechanism discharged and all power sources off.

Les informations techniques contenues dans ce document sont la propriété exclusive de Schneider Electric Industries S.A.S. et ne peuvent être utilisées ou divulguées à des tiers quels qu'ils soient sans son accord écrit. Seuls nos engagements pour exécution, les plans et schémas remis après enregistrement de la commande. Les appareils représentés sur ce schéma sont en position ouverte - débranchés - débranchés - toutes sources coupées.

1 2 3 4 5 6 7 8 9 10

A

B

C

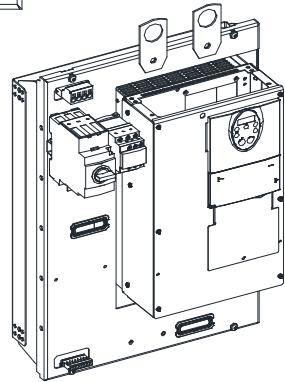
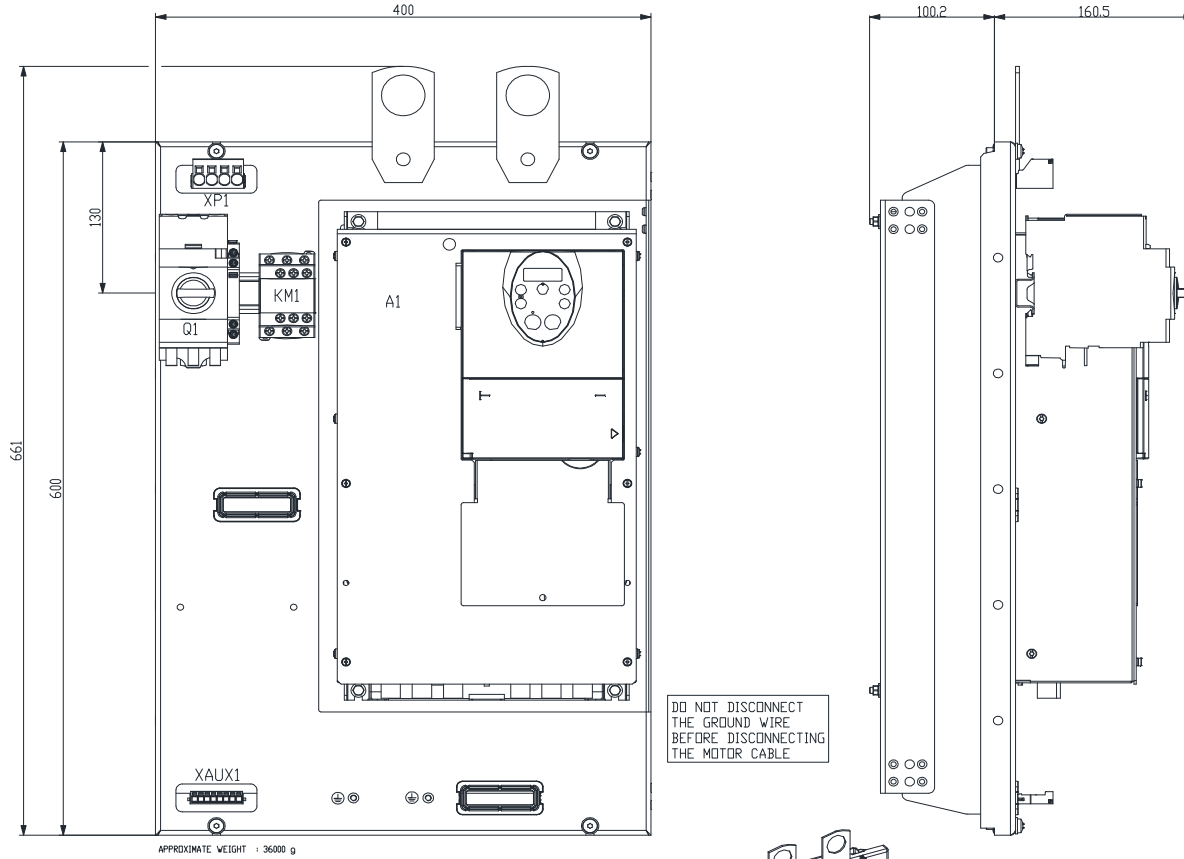
D

A

B

C

D



LAYOUT  
V212D22  
VARIABLE SPEED DRIVE V212HD22  
POWER 22 KW

CELLEAN OFFER



PHA1794203

Projet - No commande  
Project - Order No.

Indice  
Rev

Folio  
Sheet

00

004

1	2		3		4	5	6	7	8	9		10	
Type of circuit	Electrical Features		Wire Destination		Sheet N°	Designation	Color	Section	Wire Type	Wire routing in cut out	Câble end		
	P (kW)	I (A)	From	To							From	To	
POWER CIRCUIT	22 kW	41.6 A	XP1.1	Q1.1	003	UNIPOLAR INSULATED ELECTRIC CABLE	BLACK	16 mm²	H07V-K	/	CABLE END INSULATED LONG SIZE	CABLE END INSULATED	
			XP1.2	Q1.3	003	UNIPOLAR INSULATED ELECTRIC CABLE	BLACK	16 mm²	H07V-K		CABLE END INSULATED LONG SIZE	CABLE END INSULATED	
			XP1.3	Q1.5	003	UNIPOLAR INSULATED ELECTRIC CABLE	BLACK	16 mm²	H07V-K		CABLE END INSULATED LONG SIZE	CABLE END INSULATED	
			Q1.2	KM1.1	003	UNIPOLAR INSULATED ELECTRIC CABLE	BLACK	16 mm²	H07V-K		CABLE END INSULATED	CABLE END INSULATED	
			Q1.4	KM1.3	003	UNIPOLAR INSULATED ELECTRIC CABLE	BLACK	16 mm²	H07V-K		CABLE END INSULATED	CABLE END INSULATED	
			Q1.6	KM1.5	003	UNIPOLAR INSULATED ELECTRIC CABLE	BLACK	16 mm²	H07V-K		CABLE END INSULATED	CABLE END INSULATED	
			A1.M	MM1	003	UNIPOLAR INSULATED ELECTRIC CABLE	G/Y	16 mm²	H07V-K		CABLE END INSULATED	CABLE END INSULATED	
			KM1.2	A1.L1	003	UNIPOLAR INSULATED ELECTRIC CABLE	BLACK	16 mm²	H07V-K		AMIDDLE CBOTTOM	CABLE END INSULATED	CABLE END INSULATED
			KM1.4	A1.L2	003	UNIPOLAR INSULATED ELECTRIC CABLE	BLACK	16 mm²	H07V-K		AMIDDLE CBOTTOM	CABLE END INSULATED	CABLE END INSULATED
			KM1.6	A1.L3	003	UNIPOLAR INSULATED ELECTRIC CABLE	BLACK	16 mm²	H07V-K		AMIDDLE CBOTTOM	CABLE END INSULATED	CABLE END INSULATED
CONTROL CIRCUIT			XAUX1.1	KM1.A1	003	UNIPOLAR INSULATED ELECTRIC CABLE	BLACK	1.5 mm²	H07V-K	/	CABLE END INSULATED	CABLE END INSULATED	
			XAUX1.2	KM1.A2	003	UNIPOLAR INSULATED ELECTRIC CABLE	BLACK	1.5 mm²	H07V-K		CABLE END INSULATED	CABLE END INSULATED	
			KM1.A1	Q1.43	003	UNIPOLAR INSULATED ELECTRIC CABLE	BLACK	1.5 mm²	H07V-K		CABLE END INSULATED	CABLE END INSULATED	
			Q1.44	KM1.13	003	UNIPOLAR INSULATED ELECTRIC CABLE	BLACK	1.5 mm²	H07V-K		CABLE END INSULATED	CABLE END INSULATED	
			KM1.14	A1.FLC	003	UNIPOLAR INSULATED ELECTRIC CABLE	BLACK	1.5 mm²	H07V-K		CABLE END INSULATED	CABLE END INSULATED	
			XAUX1.3	A1.FLA	003	UNIPOLAR INSULATED ELECTRIC CABLE	BLACK	1.5 mm²	H07V-K		CABLE END INSULATED	CABLE END INSULATED	
			XAUX1.4	A1.F	003	UNIPOLAR INSULATED ELECTRIC CABLE	BLACK	1.5 mm²	H07V-K		CABLE END INSULATED	CABLE END INSULATED	
			XAUX1.5	A1.R	003	UNIPOLAR INSULATED ELECTRIC CABLE	BLACK	1.5 mm²	H07V-K		CABLE END INSULATED	CABLE END INSULATED	
			XAUX1.6	A1.RES	003	UNIPOLAR INSULATED ELECTRIC CABLE	BLACK	1.5 mm²	H07V-K		CABLE END INSULATED	CABLE END INSULATED	
			XAUX1.7	A1.P24	003	UNIPOLAR INSULATED ELECTRIC CABLE	BLACK	1.5 mm²	H07V-K		CABLE END INSULATED	CABLE END INSULATED	

This technical information, contained in this document is the exclusive property of Schneider Electric Industries S.A.S. and cannot be used or disclosed to third parties of any kind without its written consent. Only those drawings and diagrams permitted after order booking are binding for execution. All devices shown in this diagrams are in open position, drawn out with separating mechanism disengaged and all power sources off.

Les informations techniques contenues dans ce document (sauf la propriété exclusive de Schneider Electric Industries S.A.S. et ne peuvent être utilisées ou divulguées à des tiers sans le consentement écrit de Schneider Electric Industries S.A.S. Les plans et schémas remis après enregistrement de la commande. Les appareils représentés sur ce schéma sont en position ouvert - disjuncteurs - débrayés - toutes sources coupées.

WIRE LIST  
 V212D22  
 VARIABLE SPEED DRIVE V212HD22  
 POWER 22 KW

CELLEAN OFFER



**PHA1794203**  
 Projet - No commande  
 Project - Order No.

Indice Rev	Folio Sheet
00	005

A

B

C

D

A

B

C

D

This technical information contained in this document is the exclusive property of Schneider Electric Industries S.A.S. and cannot be used or disclosed to third parties of any kind without its written consent. Only those drawings and diagrams remitted after order booking are binding for execution. All devices shown in this diagrams are in open position. Drawn out with operating mechanism disengaged and all power sources off.

Les informations techniques contenues dans ce document sont la propriété exclusive de Schneider Electric Industries S.A.S. et ne peuvent être utilisées ou divulguées à des tiers quels qu'ils soient sans son accord écrit. Seuls nos engagements par exécution, les plans et schémas remis après enregistrement de la commande. Les appareils représentés sur ce schéma sont en position ouvert - débranchés - toutes sources coupées.

TAG	SHEET	DESCRIPTION	MANUFACTURER	MANUFACTURER REF.	QTY
A1	003	ATV212 22kW 480V 3PH EMC IP21	SCHNEIDER ELECTRIC	ATV212HD22N4	1
KM1	003	CONT 32A 24VDC	SCHNEIDER ELECTRIC	LC1D32BD	1
Q1	003	TESYS GV3-CIRCUIT BREAKER-THERMAL-MAGNETIC - 37...50A - EVERLINK BTR CONNECTO	SCHNEIDER ELECTRIC	GV3P50	1
Q1	003	SIDE INST AUX CONTACTS NO + NC	SCHNEIDER ELECTRIC	GVAN11	1
XAUX1	003	MOVING CONNECTOR SINGLE 8P 12A	SCHNEIDER ELECTRIC	LGYDC8APM	1
XP1	003	MOVING CONNECTOR 4P 50A	SCHNEIDER ELECTRIC	LGYDC4P50M	1
		DRIVE PLATE ATV212 18-30 kW	SCHNEIDER ELECTRIC	NSYME0604CB	1
		DIN RAIL, WIDTH: 35mm, HEIGHT: 15mm, LENGTH: 125mm	-----	DIN RAIL T1.25	1
		SHUTTER AND CABLE GLAND	SCHNEIDER ELECTRIC	NSYMEWGL	2

00	16/01/2017	Edition originale / First issue								
Ind. Rev	Date	Modification /	Modification	Archiv. Micro-filmed	Ind. Rev	Date	Modification /	Modification	Archiv. Micro-filmed	

PART LIST

CELLEAN OFFER



**PHA1794203**

Project - No commande  
Project - Order No.

Indice Rev  
00

Folio Sheet  
006