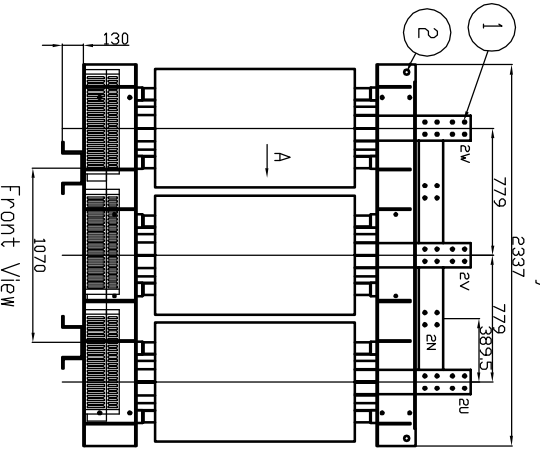
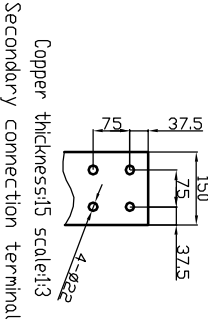
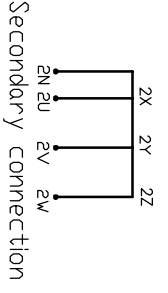
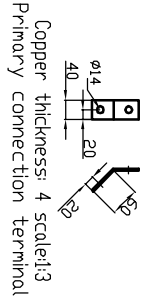
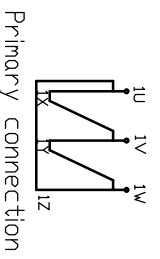
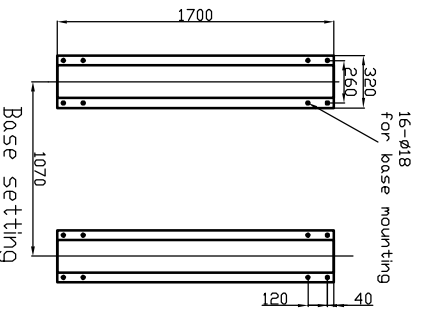
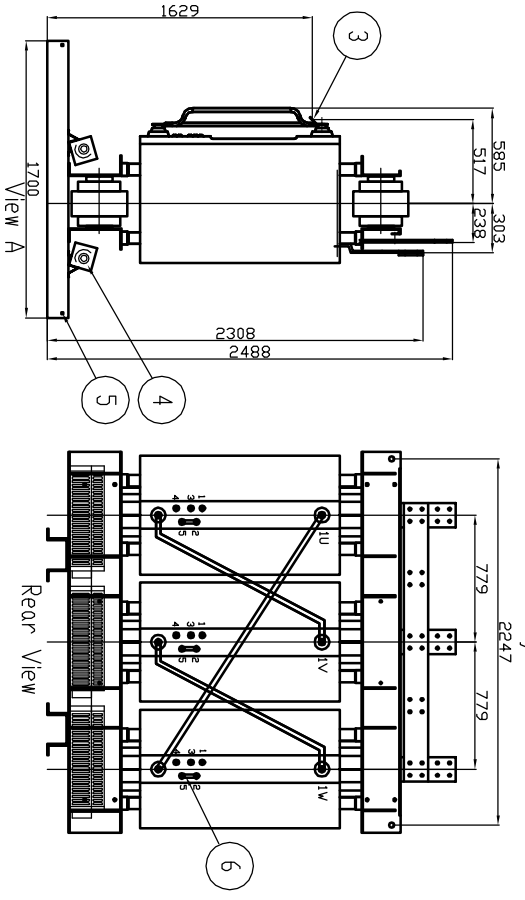


Secondary side



Primary side



Item	Parts
1	Secondary connection busbar
2	Lifting hole
3	Primary connection terminal
4	Fans
5	Earthing terminal ø14
6	HV tapplings

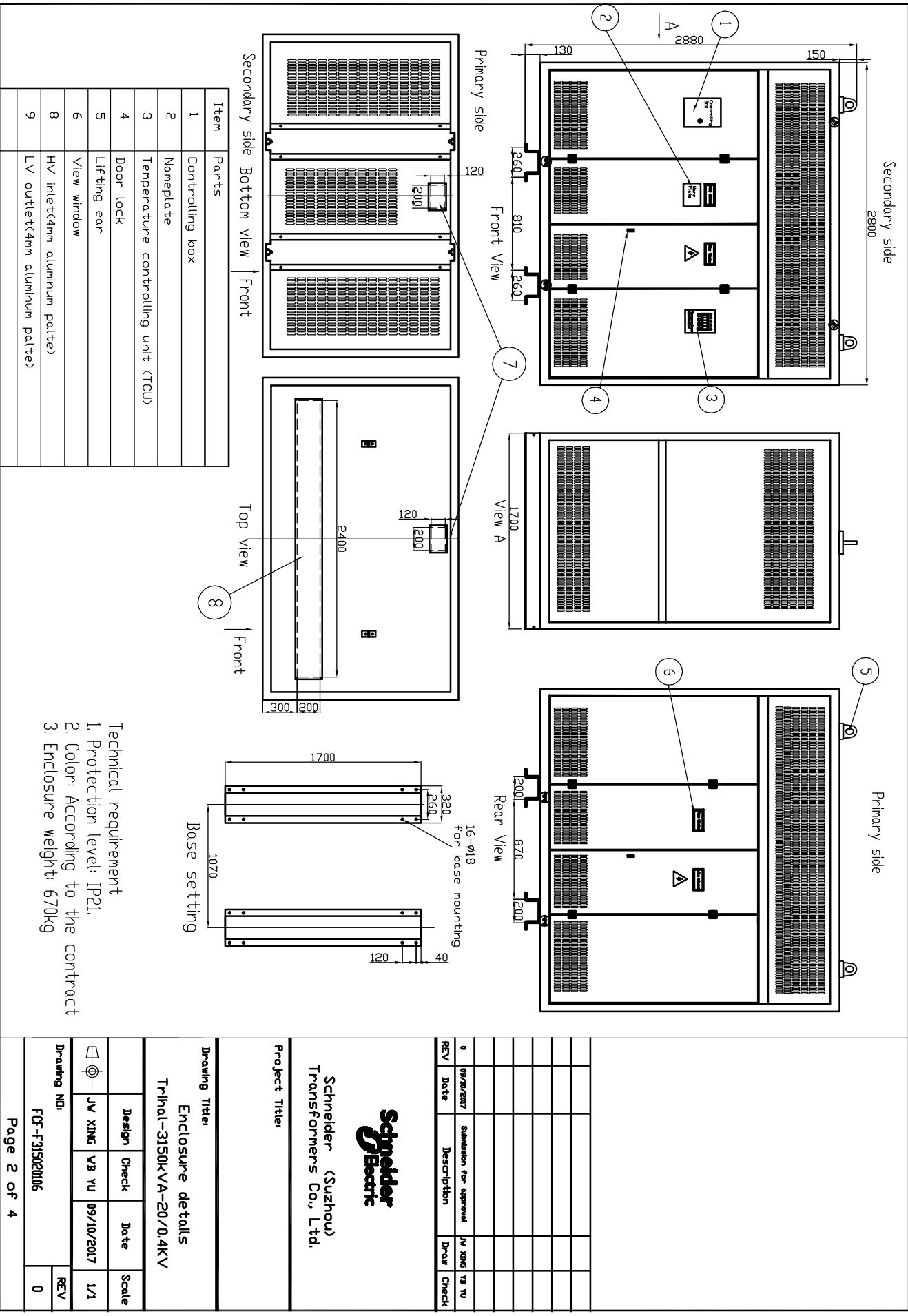
Winding	AI	Cooling method (AN/AF)	AN/AF
Power at AN kVA	3150	Rated impedance voltage at 120° %	6
Temporary overload power kVA	4410	No-load current %	1.25
Rated primary voltage kV	20	No-load losses W	6640
Rated primary insulation level kV	24	Load losses at 120°C W	22320
Applied voltage to industrial frequency kV	50	Acoustic pressure Lpa at 1m dB	53
Impulse BIL kV	125	Rated winding temperature rise K	100
Rated secondary voltage V	400	Weight (cals and core) kg	7210
Tapping ranges on HV side(Off load)	±2x2.5%	Thermal class	F
Rated frequency HZ	50	Environmental behaviour	E2/C2/F1
Vector group	Dyn5		
Type of temperature control device	BWIK3208		

REV	Date	Description	Drawn	Check
0	09/10/2017	Submission for approval	JW XING	VB YU

Schneider
EcoStruxure

Schneider (Suzhou)
Transformers Co., Ltd.

Project Title:		Drawing Title:	
Transformer details		Transformer details	
Trihal-3150kVA-20/0.4kV		Trihal-3150kVA-20/0.4kV	
Design	Check	Date	Scale
JW XING	VB YU	09/10/2017	1/1
Drawing No:		REV	
FCF-F31502006		0	



Item	Parts
1	Controlling box
2	Nameplate
3	Temperature controlling unit (TCU)
4	Door lock
5	Lifting ear
6	View window
8	HV inlet(4mm aluminum palte)
9	LV outlet(4mm aluminum palte)

Technical requirement
 1. Protection level: IP21.
 2. Color: According to the contract
 3. Enclosure weight: 670kg

Schneider
Electric

Schneider (Suzhou)
Transformers Co., Ltd.

Project Title:

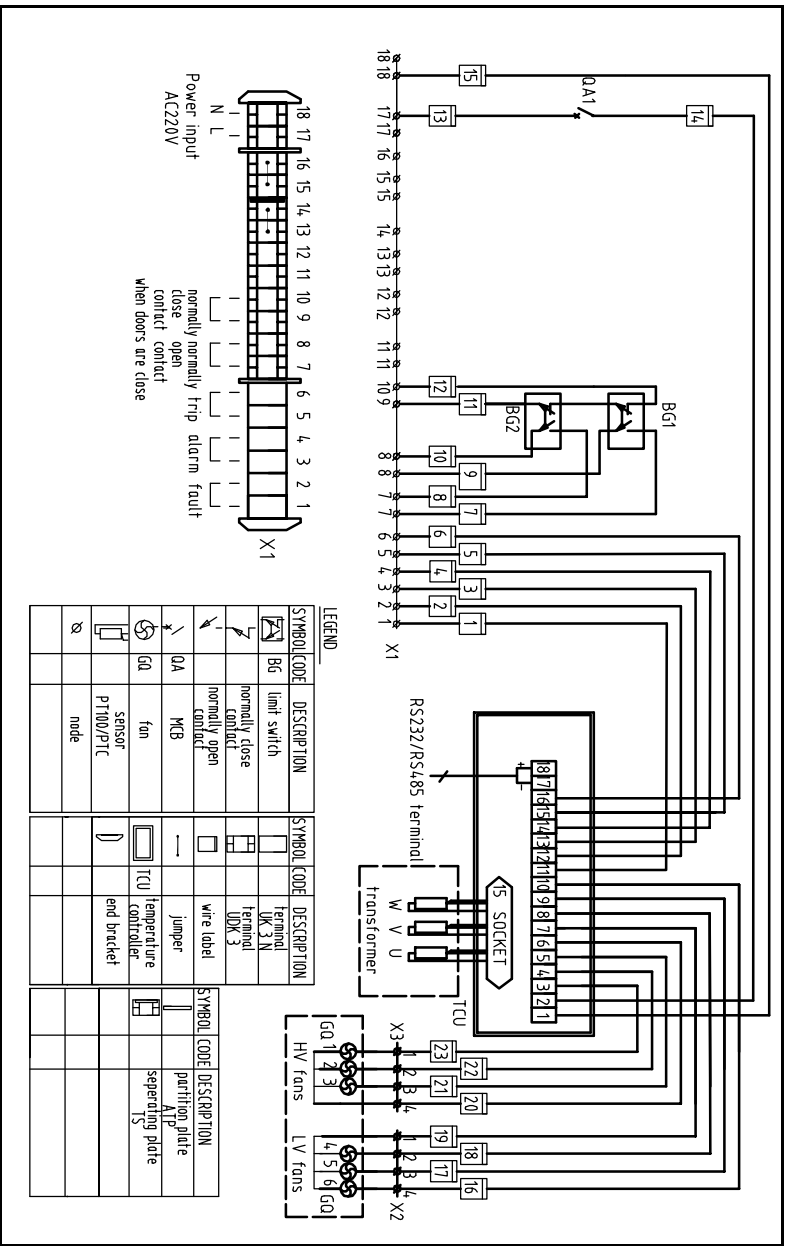
Drawing Title:
Enclosure details
T-1hal-3150K.VA-20/0.4KV

Design	Check	Date	Scale
⊕	JW XING	09/10/2017	1/1

Drawing No: FCF-315020106

REV	Date	Description	Dr-w	Check
0	09/10/2017	Submission for approval	JW XING	YB YU

Page 2 of 4



0	09/10/2017	Submission for approval	JW XING	YB YU
REV	Date	Description	Draw	Check



Schneider (Suzhou)
Transformers Co., Ltd.

Project Title:

Drawing Title:

Circuit diagram
T-Ihal-3150kVA-20/0.4kV

Design	Check	Date	Scale
JW XING	YB YU	09/10/2017	1/1
Drawing No: FCF-F3150R2006			REV
			0

