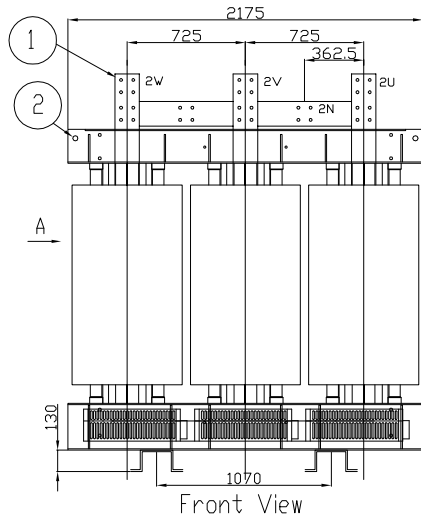
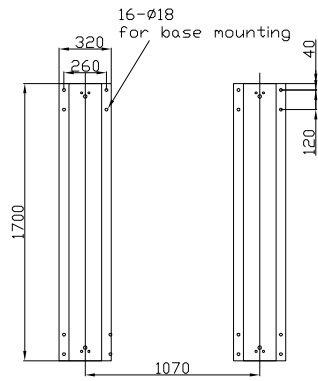


Secondary side

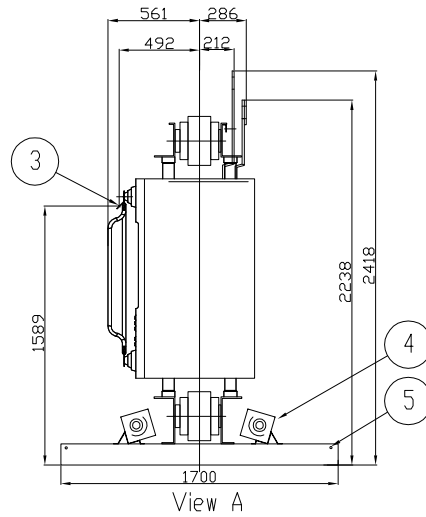


Front View

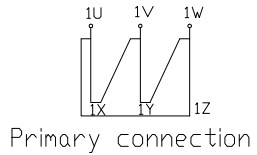


Base setting

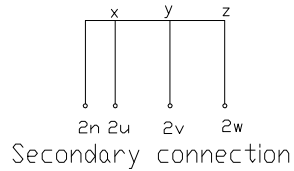
Item	Parts
1	Secondary connection busbar
2	Lifting hole
3	Primary connection terminal
4	Fans
5	Earthing terminal ø14
6	HV tappings



View A

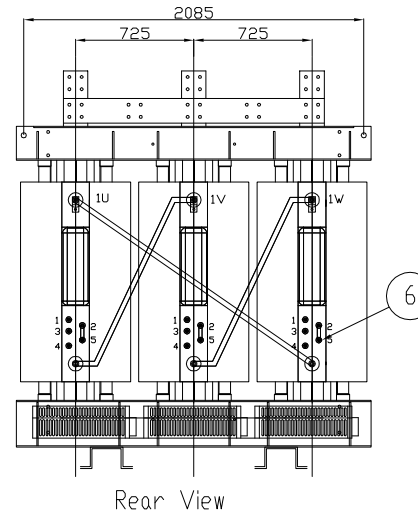


Primary connection

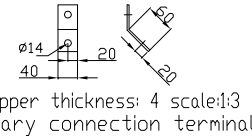


Secondary connection

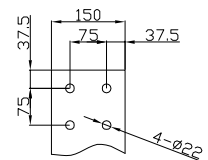
Primary side



Rear View



Copper thickness: 4 scale:1:3
Primary connection terminal



Copper thickness:2 scale:1:3
Secondary connection terminal

Winding	Aluminum	Cooling method (AN/AF)	AN/AF
Power at AN kVA	2500	Rated impedance voltage at 120° %	6
Temporary overload power kVA	3500	No-load current %	1.18
Rated primary voltage kV	20	No-load losses W	5000
Rated primary insulation level kV	24	Load losses at 120°C W	24300
Applied voltage to industrial frequency kV	50	Acoustic pressure Lpa at 1m dB	53
Impulse B.I.L. kV	125	Rated winding temperature rise K	100
Rated secondary voltage V	400	Weight (coils and core) kg	5600
Tapping ranges on HV side(off load)	±2x2.5%	Thermal class	F
Rated frequency HZ	50	Environmental behaviour	E2,C2,F1
Vector group	Dyn5		
Type of temperature control device	BWDK3208		

REV	Date	Description	Draw	Check
0	11/10/2017	Submission for approval	ZY Song	WB Yu



Schneider (Suzhou)
Transformers Co., Ltd.

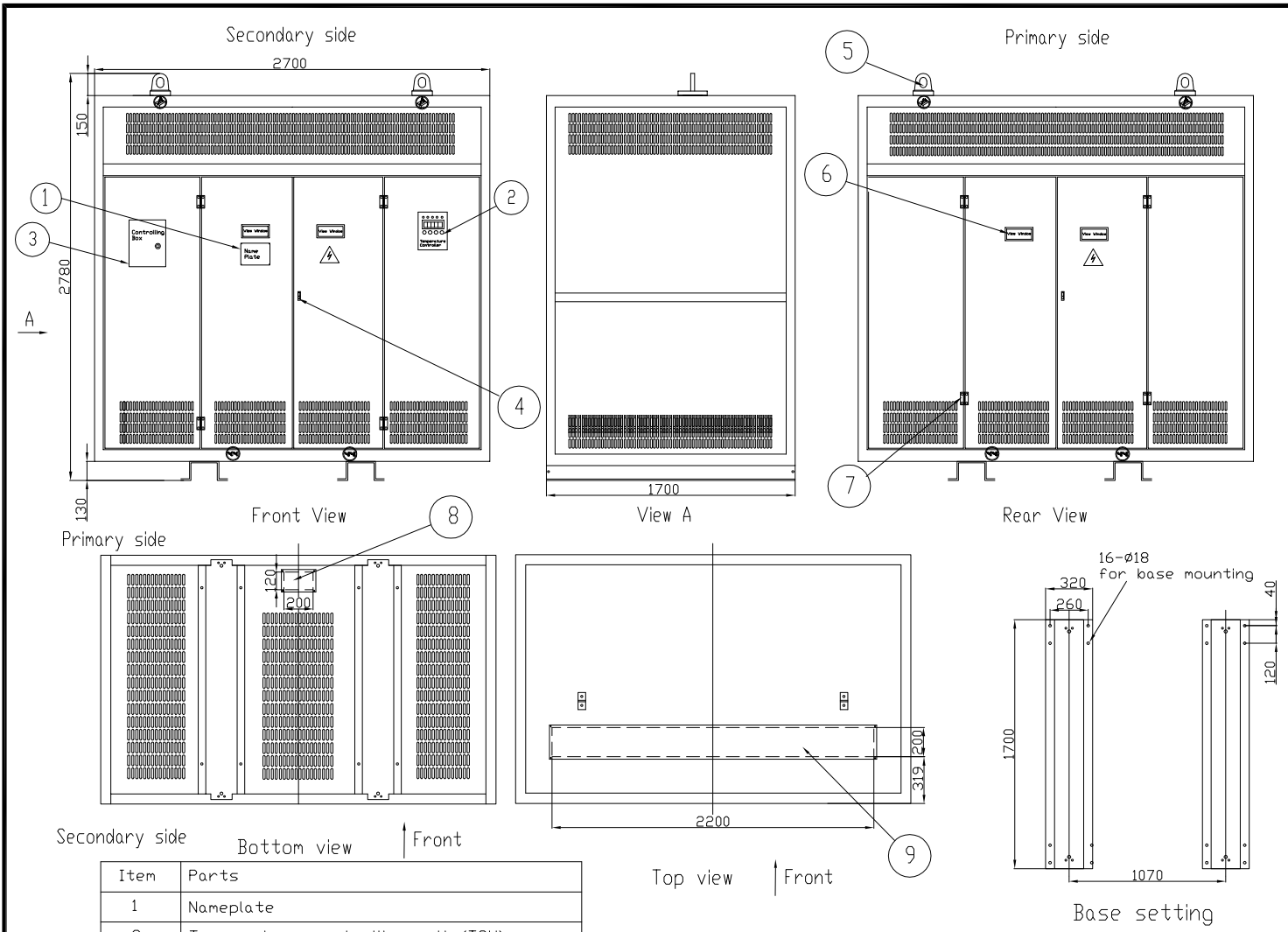
Project Title:

Drawing Title:

Transformer details
Trihal-2500kVA-20/0.4KV

	Design	Check	Date	Scale
ZY Song	WB Yu	11/10/2017	1:1	

Drawing NO:	REV
FCFF250020111	0



Item	Parts
1	Nameplate
2	Temperature controlling unit (TCU)
3	Controlling box
4	Door lock
5	Lifting ear
6	View window
7	Hinged doors
8	HV inlet(4mm aluminum palte)
9	LV outlet(4mm aluminum palte)

Technical requirement
 1. Protection level: IP21.
 2. Color: According to the contract
 3. Enclosure weight: 630kg

REV	Date	Description	Draw	Check
0	11/10/2017	Submission for approval	ZY Song	WB Yu



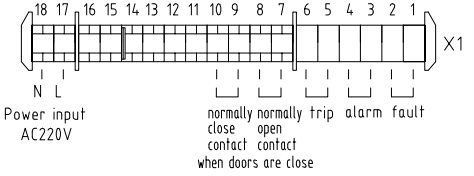
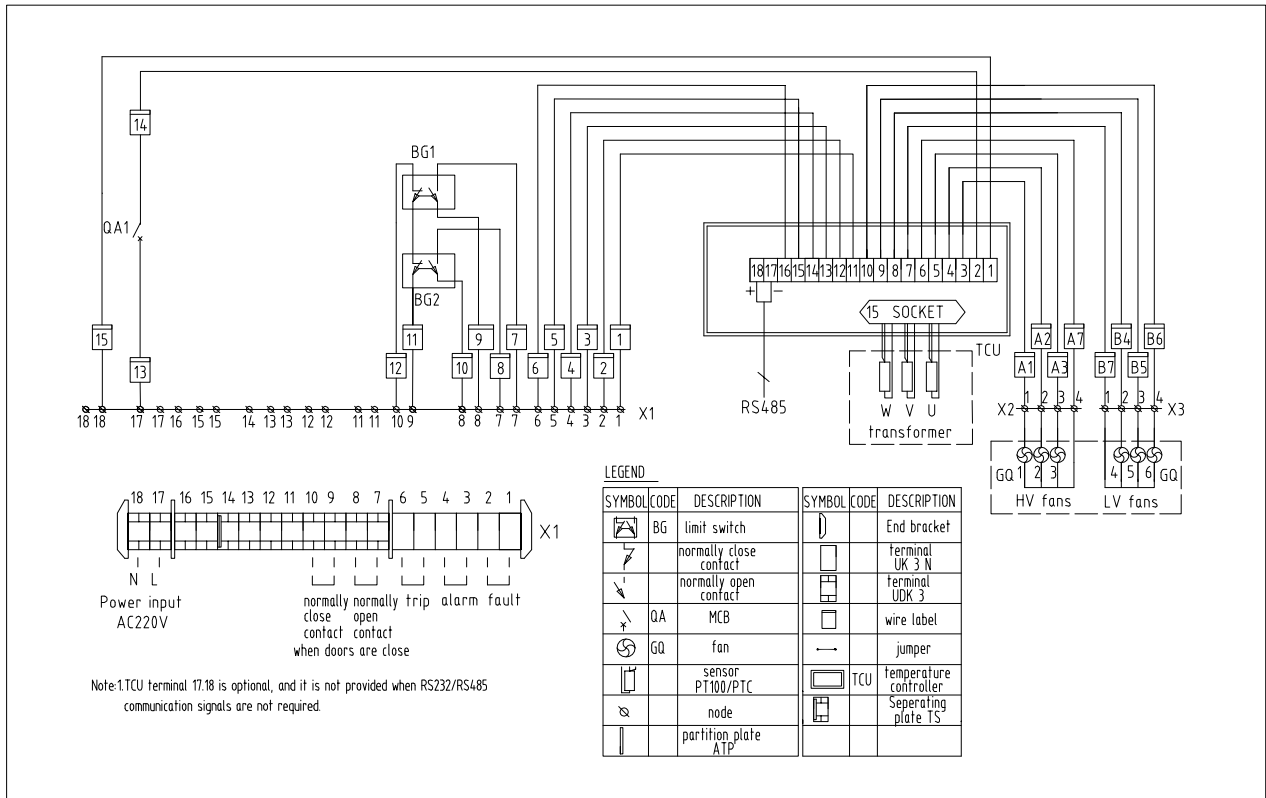
Schneider (Suzhou)
 Transformers Co., Ltd.

Project Title:

Drawing Title:
 Enclosure details
 Trihal-2500kVA-20/0.4KV

	Design	Check	Date	Scale
☉	ZY Song	WB Yu	11/10/2017	1:1

Drawing NO:	FCFF250020111	REV	1
Page 2 of 4			



Note: TCU terminal 17, 18 is optional, and it is not provided when RS232/RS485 communication signals are not required.

LEGEND

SYMBOL	CODE	DESCRIPTION	SYMBOL	CODE	DESCRIPTION
	BG	limit switch			End bracket
		normally close contact			Terminal UK 3 N
		normally open contact			Terminal UDK 3
	QA	MCB			wire label
	GQ	fan			jumper
		sensor PT100/PTC			temperature controller
		node			Separating plate TS
		partition plate ATP			

REV	Date	Description	Draw	Check
0	11/10/2017	Submission for approval	ZY Song	WB Yu



Schneider (Suzhou) Transformers Co., Ltd.

Project Title:

Drawing Title:
Circuit diagram
Trihal-2500kVA-20/0.4KV

	Design	Check	Date	Scale
	ZY Song	WB Yu	11/10/2017	1:1

Drawing NO:	REV
FCFF250020111	0



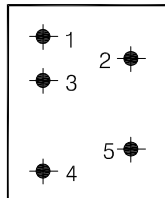
Schneider (Suzhou) Transformers Co., Ltd.

Trihal

Dry-type Cast Resin Transformer

Applicable standard Degree of protection
 Number of phases Rated frequency Hz Temp. rise K Indoor
 Short-circuit impedance % Connection symbol Type of cooling
 Insulation level kV Insulation system temperature

Tapping position



High voltage		Low voltage
connect	voltage	
1-2	21000 V	400 V
2-3	20500 V	
2-5	20000 V	
3-4	19500 V	
4-5	19000 V	

Rated power HV current LV current
 AN kVA A A

Overload power HV current LV current
 AF kVA A A

Fire behavior class: F1
 Climate class: C2
 Environment class: E2

Mass without enclosure kg Total mass kg Serial number
 Order number Order date Date of manufacture

Note: All the blanks will be filled after the transformer tested.

REV	Date	Description	Draw	Check
0	11/10/2017	Submission for approval	ZY Song	WB Yu



Schneider (Suzhou) Transformers Co., Ltd.

Project Title:

Drawing Title:

Nameplate
 Trihal-2500kVA-20/0.4KV

	Design	Check	Date	Scale
	ZY Song	WB Yu	11/10/2017	1:1

Drawing NO:	REV
FCFF250020111	0