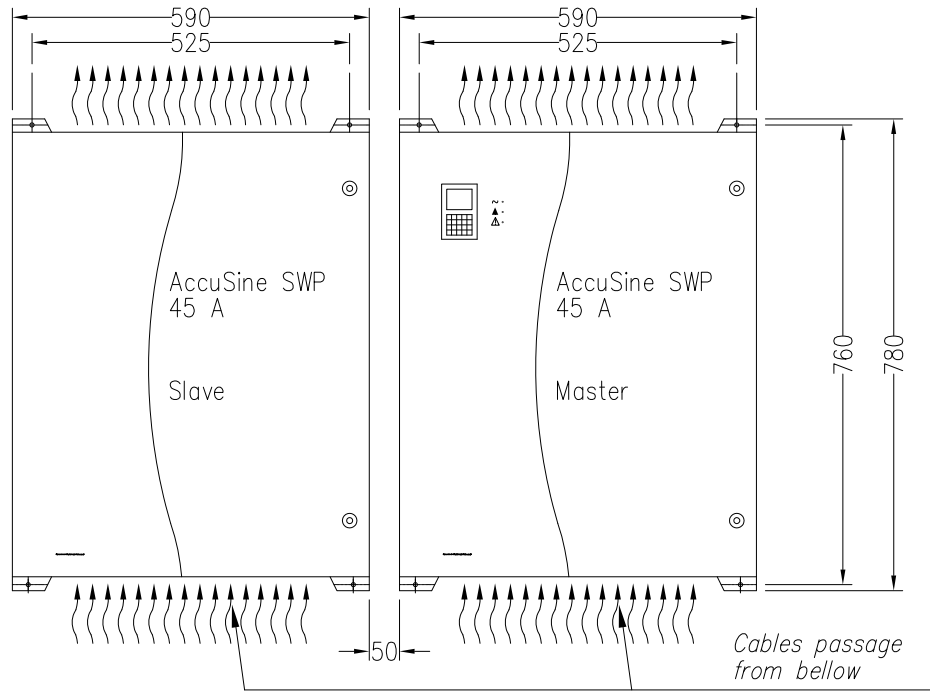
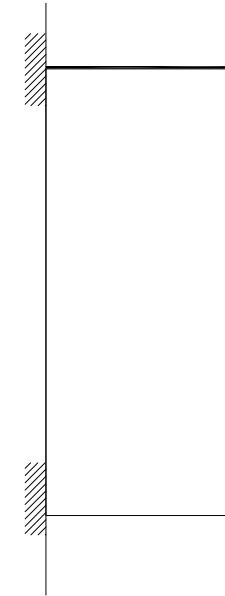


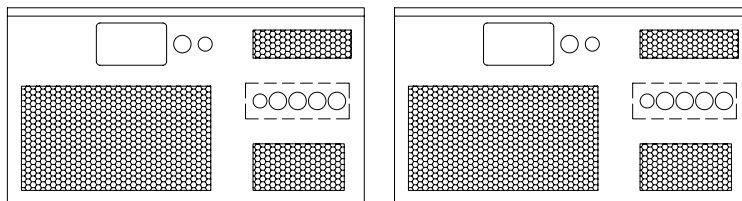
TOP VIEW



FRONT VIEW



SIDE VIEW



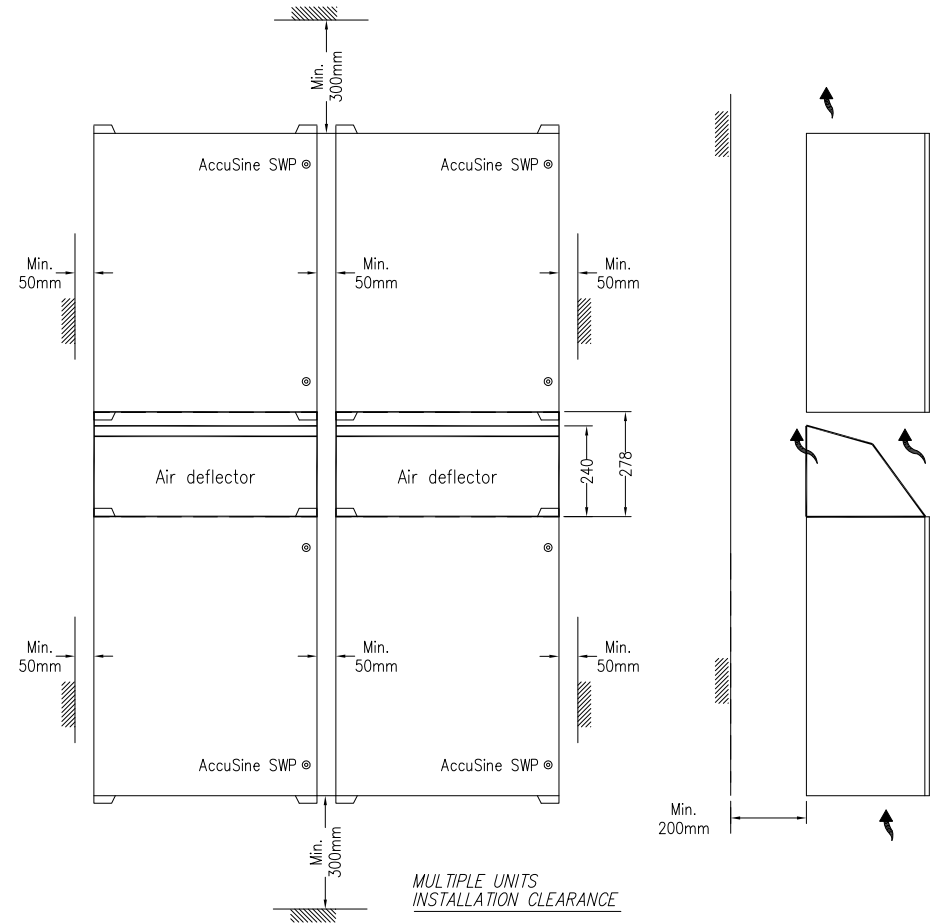
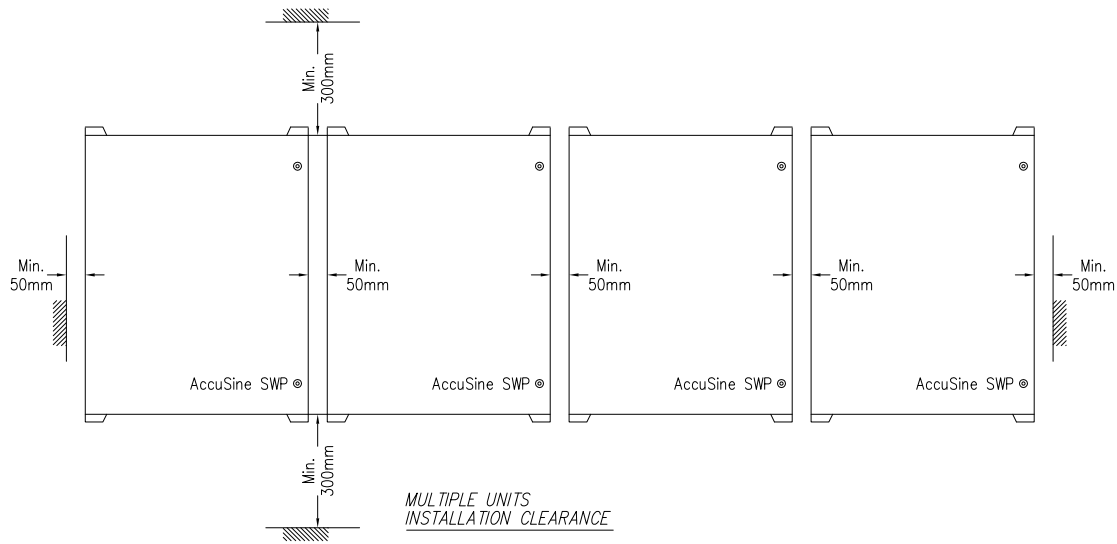
BOTTOM VIEW

---	---
Weight (kg)	220
Air extraction (m <sup>3</sup> /h)	2000
Heat Losses (kw)	3.8

THIS DRAWING AND SPECIFICATIONS HEREIN ARE THE PROPERTY OF SCHNEIDER ELECTRIC AND SHALL NOT BE COPIED, REPRODUCED OR USED IN WHOLE OR IN PART, AS THE BASIS FOR THE MANUFACTURE OR SALE OF ITEMS WITHOUT WRITTEN PERMISSION FROM SCHNEIDER ELECTRIC. THIS DRAWING IS BASED UPON LATEST AVAILABLE INFORMATION AND IS SUBJECT TO CHANGE WITHOUT NOTICE.



TITLE:	AccuSine SWP 90A Overall Dimension	DWG NO:	PCS090Y4IP20P	REV:	0
DRAWN:	T.Chung	30-Jan-13	ENGINEER:	K.Dooley	30-Jan-13
PROJECT:	Submittal Drawing	SHEET 1 OF 4	APPROVED:	M.Weisenbloom	30-Jan-13

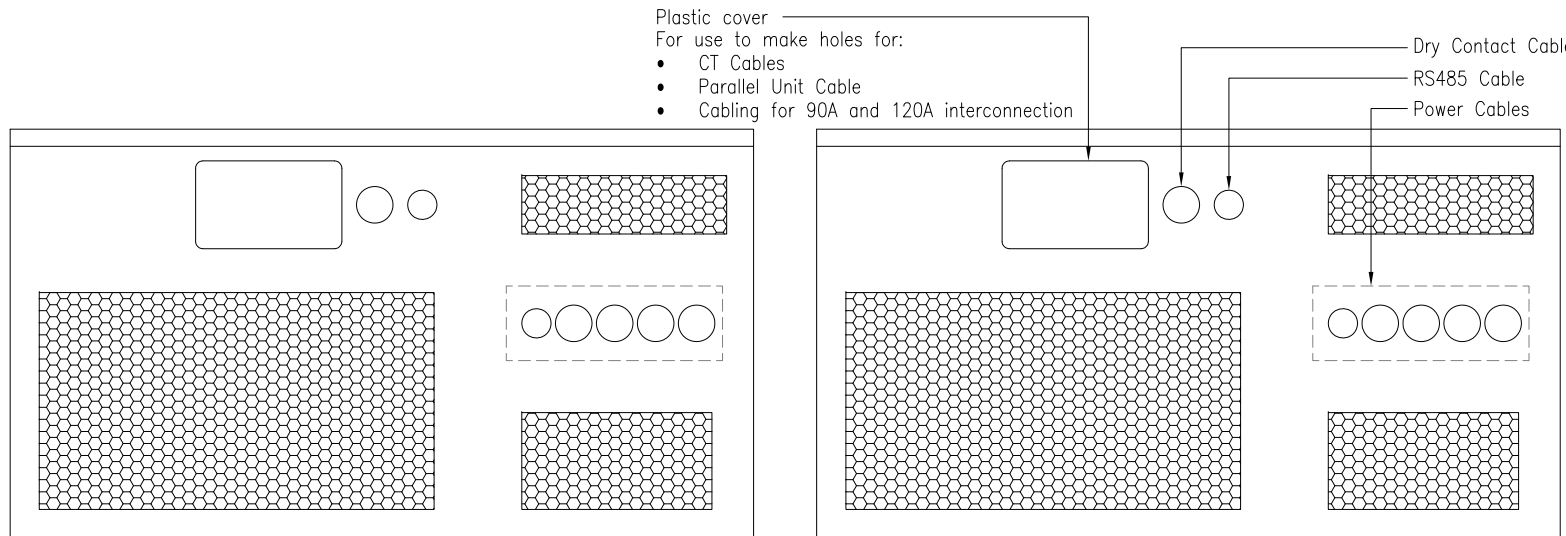


*Note:*  
Air deflector is required for the above units configuration.

THIS DRAWING AND SPECIFICATIONS HEREIN ARE THE PROPERTY OF SCHNEIDER ELECTRIC AND SHALL NOT BE COPIED, REPRODUCED OR USED IN WHOLE OR IN PART, AS THE BASIS FOR THE MANUFACTURE OR SALE OF ITEMS WITHOUT WRITTEN PERMISSION FROM SCHNEIDER ELECTRIC. THIS DRAWING IS BASED UPON LATEST AVAILABLE INFORMATION AND IS SUBJECT TO CHANGE WITHOUT NOTICE.



TITLE: AccuSine SWP 90A Installation Details		DWG NO: PCS090Y4IP20P	REV: 0
DRAWN: T.Chung		30-Jan-13	
ENGINEER: K.Dooley		30-Jan-13	
PROJECT: Submittal Drawing	SHEET 2 OF 4	APPROVED: M.Weisenbloom	30-Jan-13



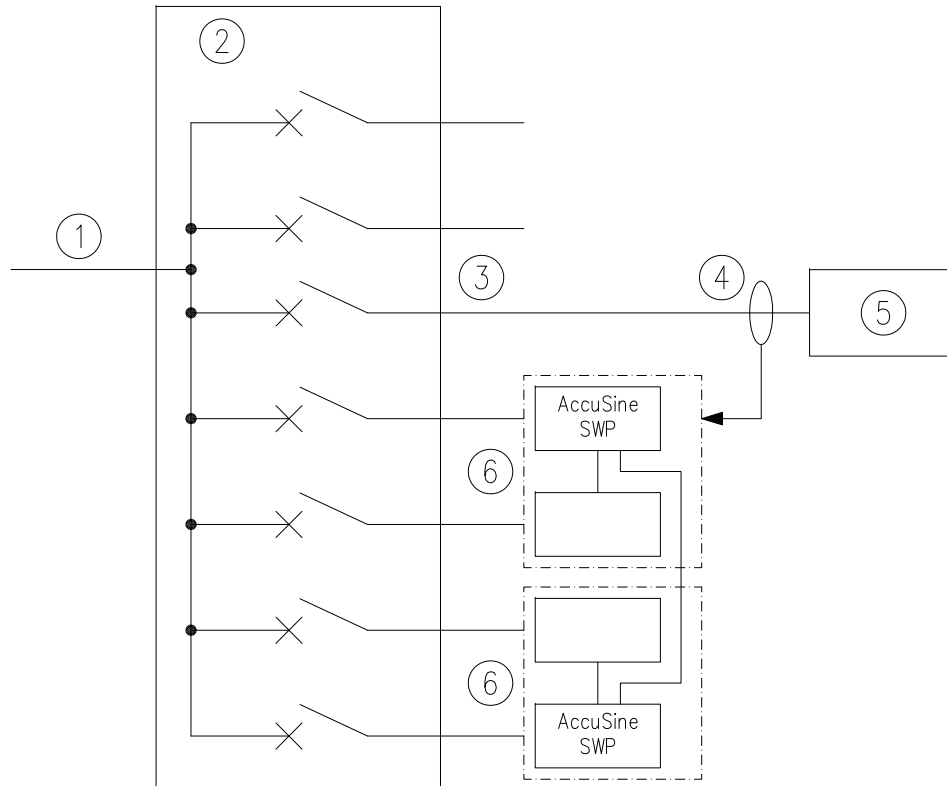
Bottom View

THIS DRAWING AND SPECIFICATIONS HEREIN ARE THE PROPERTY OF SCHNEIDER ELECTRIC AND SHALL NOT BE COPIED, REPRODUCED OR USED IN WHOLE OR IN PART, AS THE BASIS FOR THE MANUFACTURE OR SALE OF ITEMS WITHOUT WRITTEN PERMISSION FROM SCHNEIDER ELECTRIC. THIS DRAWING IS BASED UPON LATEST AVAILABLE INFORMATION AND IS SUBJECT TO CHANGE WITHOUT NOTICE.



TITLE:	AccuSine SWP 90A Cable Entry	DWG NO:	PCS090Y4IP20P	REV:	0
DRAWN:	T.Chung	30-Jan-13	ENGINEER:	K.Dooley	30-Jan-13
PROJECT:	Submittal Drawing	SHEET 3 OF 4	APPROVED:	M.Weisenbloom	30-Jan-13

Single Line Diagram for 90A in Parallel.



Note

- ① Utility network
- ② Low voltage distribution switchboard
- ③ Harmonic current to be compensated
- ④ Current sensor (CT)
- ⑤ Load to be compensated
- ⑥ Harmonic compensating current

THIS DRAWING AND SPECIFICATIONS HEREIN ARE THE PROPERTY OF SCHNEIDER ELECTRIC AND SHALL NOT BE COPIED, REPRODUCED OR USED IN WHOLE OR IN PART, AS THE BASIS FOR THE MANUFACTURE OR SALE OF ITEMS WITHOUT WRITTEN PERMISSION FROM SCHNEIDER ELECTRIC. THIS DRAWING IS BASED UPON LATEST AVAILABLE INFORMATION AND IS SUBJECT TO CHANGE WITHOUT NOTICE.



TITLE: AccuSine SWP 90A Single Line Diagram		DWG NO: PCS090Y4IP20P	REV: 0
DRAWN: T.Chung		30-Jan-13	
ENGINEER: K.Dooley		30-Jan-13	
PROJECT: Submittal Drawing	SHEET 4 OF 4	APPROVED: M.Weisenbloom	30-Jan-13