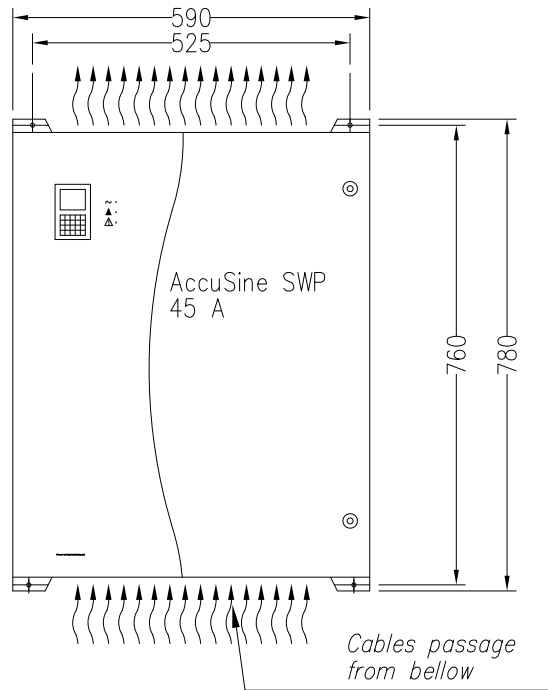
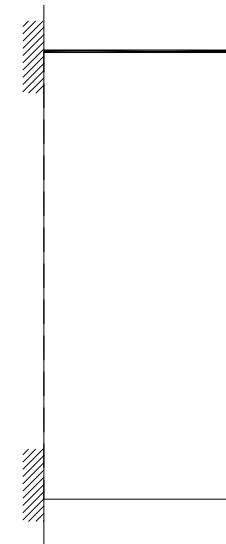


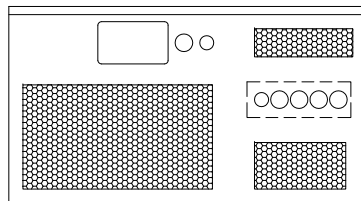
TOP VIEW



FRONT VIEW



SIDE VIEW



BOTTOM VIEW

---	---
Weight (kg)	110
Air extraction (m ³ /h)	1000
Heat Losses (kw)	1.9

THIS DRAWING AND SPECIFICATIONS HEREIN ARE THE PROPERTY OF SCHNEIDER ELECTRIC AND SHALL NOT BE COPIED, REPRODUCED OR USED IN WHOLE OR IN PART, AS THE BASIS FOR THE MANUFACTURE OR SALE OF ITEMS WITHOUT WRITTEN PERMISSION FROM SCHNEIDER ELECTRIC. THIS DRAWING IS BASED UPON LATEST AVAILABLE INFORMATION AND IS SUBJECT TO CHANGE WITHOUT NOTICE.



TITLE:
AccuSine SWP
45A
Overall Dimension

DWG NO: PCS045Y4IP20P

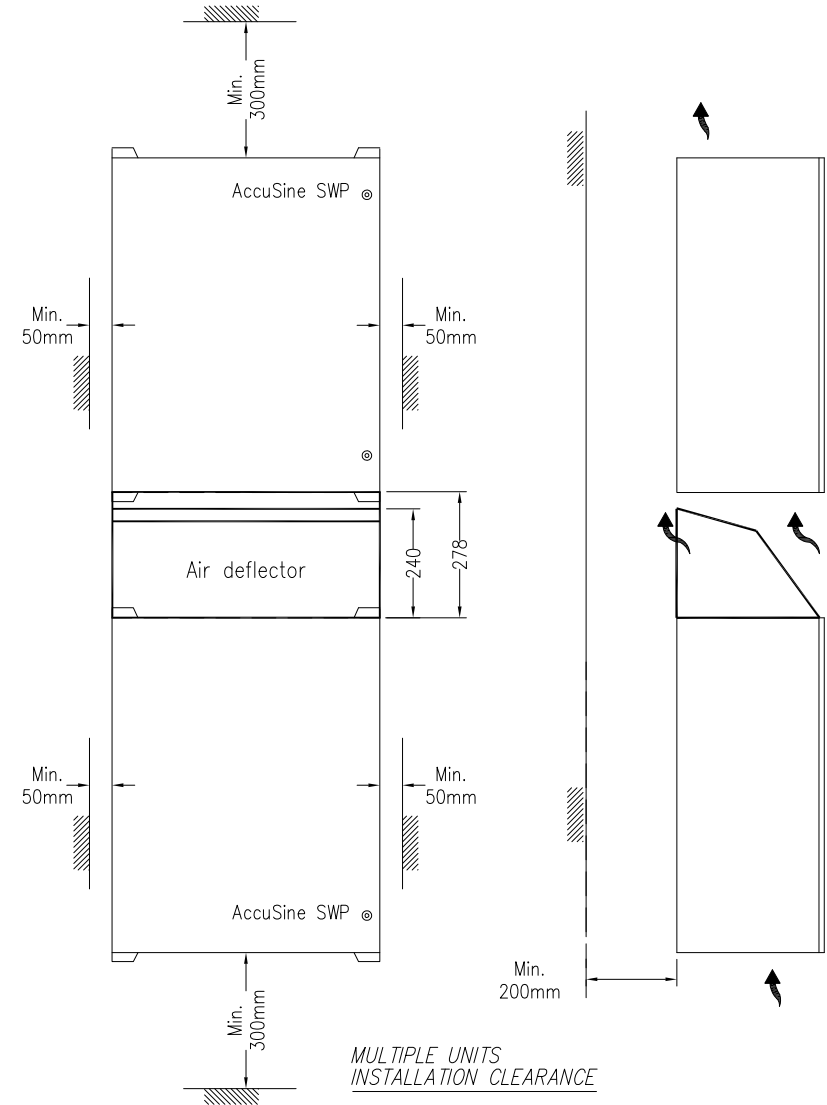
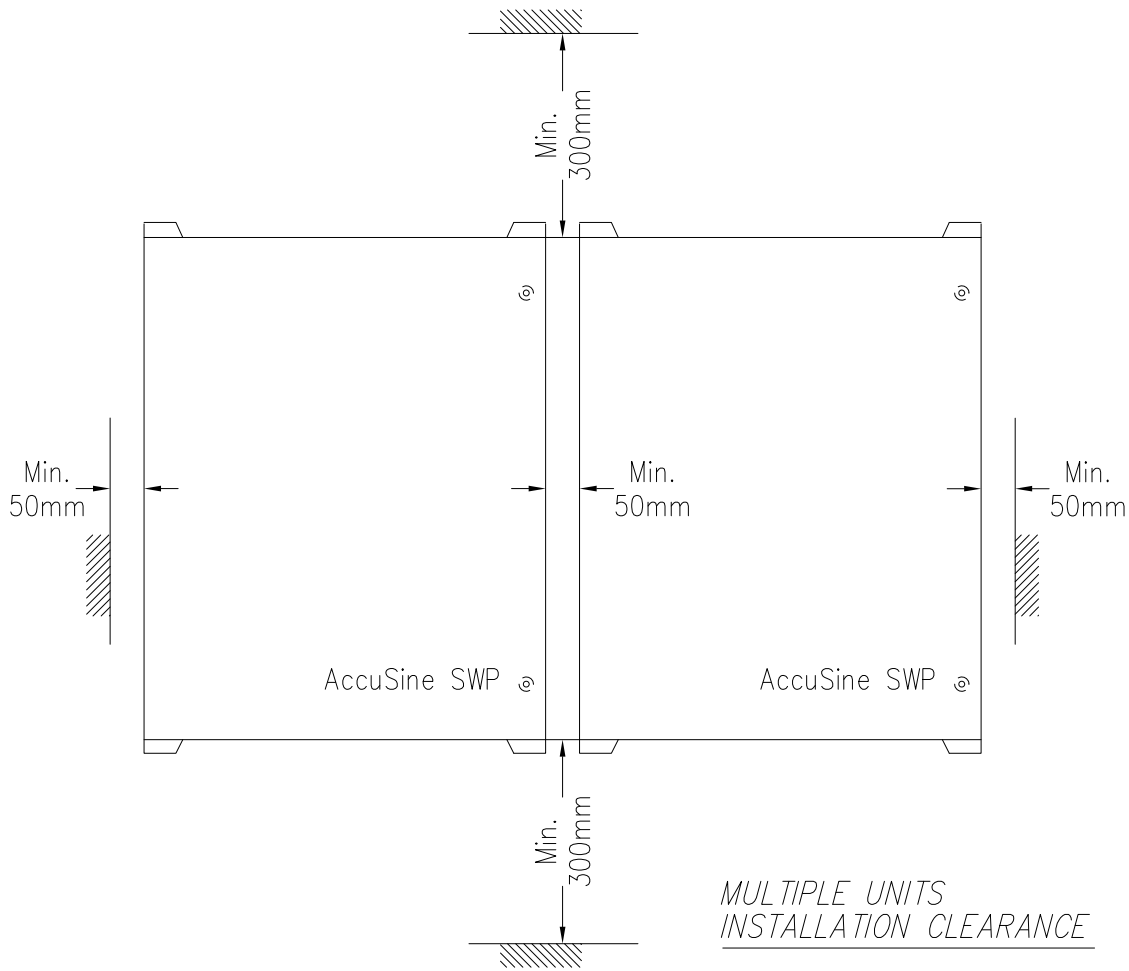
REV. 0

DRAWN: T.Chung 30-Jan-13

ENGINEER: K.Dooley 30-Jan-13

PROJECT: Submittal Drawing SHEET 1 OF 4

APPROVED: M.Weisenbloom 30-Jan-13



Note:
Air deflector is required for the above units configuration.

THIS DRAWING AND SPECIFICATIONS HEREIN ARE THE PROPERTY OF SCHNEIDER ELECTRIC AND SHALL NOT BE COPIED, REPRODUCED OR USED IN WHOLE OR IN PART, AS THE BASIS FOR THE MANUFACTURE OR SALE OF ITEMS WITHOUT WRITTEN PERMISSION FROM SCHNEIDER ELECTRIC. THIS DRAWING IS BASED UPON LATEST AVAILABLE INFORMATION AND IS SUBJECT TO CHANGE WITHOUT NOTICE.

**Schneider
Electric**

TITLE:

AccuSine SWP
45A
Installation Detail

DWG NO: PCS045Y4IP20P

REV. 0

DRAWN: T.Chung 30-Jan-13

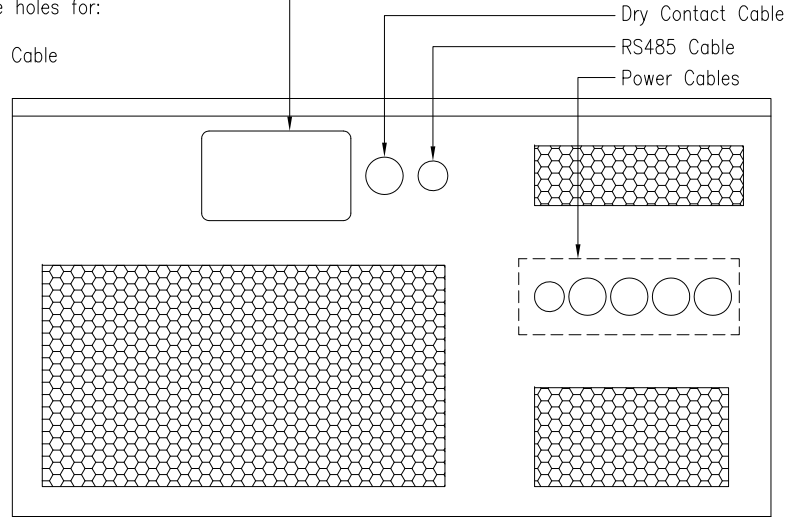
ENGINEER: K.Dooley 30-Jan-13

PROJECT: Submittal Drawing SHEET 2 OF 4

APPROVED: M.Weisenbloom 30-Jan-13

Plastic cover
 For use to make holes for:

- CT Cables
- Parallel Unit Cable



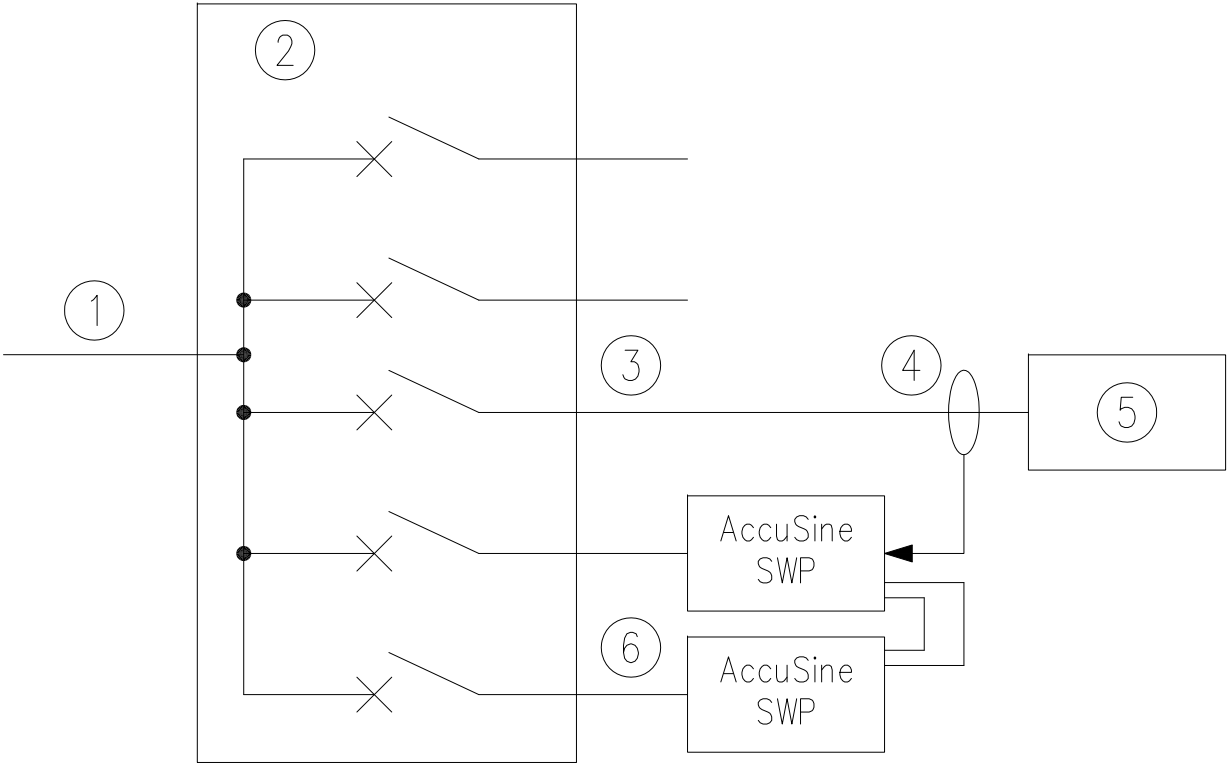
Bottom View

THIS DRAWING AND SPECIFICATIONS HEREIN ARE THE PROPERTY OF SCHNEIDER ELECTRIC AND SHALL NOT BE COPIED, REPRODUCED OR USED IN WHOLE OR IN PART, AS THE BASIS FOR THE MANUFACTURE OR SALE OF ITEMS WITHOUT WRITTEN PERMISSION FROM SCHNEIDER ELECTRIC. THIS DRAWING IS BASED UPON LATEST AVAILABLE INFORMATION AND IS SUBJECT TO CHANGE WITHOUT NOTICE.



TITLE:	AccuSine SWP 45A Cable Entry	DWG NO:	PCS045Y4IP20P	REV:	0
DRAWN:	T.Chung	30-Jan-13			
ENGINEER:	K.Dooley	30-Jan-13			
PROJECT: Submittal Drawing	SHEET 3 OF 4	APPROVED: M.Weisenbloom			

Single Line Diagram for 45A Unit in Parallel.



Note

- ① Utility network
- ② Low voltage distribution switchboard
- ③ Harmonic current to be compensated
- ④ Current sensor (CT)
- ⑤ Load to be compensated
- ⑥ Harmonic compensating current

THIS DRAWING AND SPECIFICATIONS HEREIN ARE THE PROPERTY OF SCHNEIDER ELECTRIC AND SHALL NOT BE COPIED, REPRODUCED OR USED IN WHOLE OR IN PART, AS THE BASIS FOR THE MANUFACTURE OR SALE OF ITEMS WITHOUT WRITTEN PERMISSION FROM SCHNEIDER ELECTRIC. THIS DRAWING IS BASED UPON LATEST AVAILABLE INFORMATION AND IS SUBJECT TO CHANGE WITHOUT NOTICE.



TITLE: AccuSine SWP 45A Single Line Diagram		DWG NO: PCS045Y4IP20P	REV. 0
DRAWN: T.Chung		30-Jan-13	
ENGINEER: K.Dooley		30-Jan-13	
PROJECT: Submittal Drawing	SHEET 4 OF 4	APPROVED: M.Weisenbloom	30-Jan-13