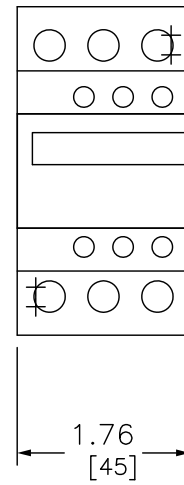


TeSYS NEMA SIZE 00, 0, 1 CONTACTOR
3 POLE POLYPHASE – 600VAC 50–60 HZ

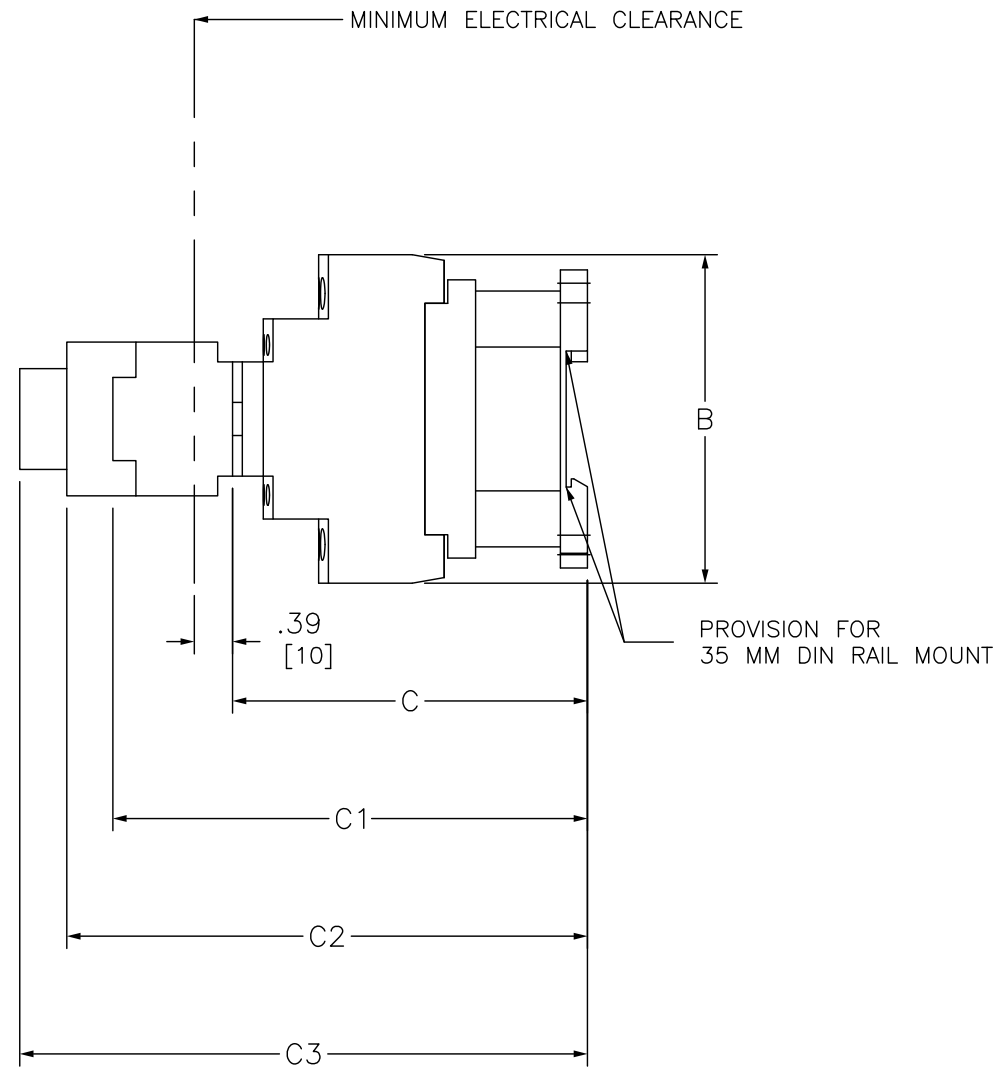
NEMA SIZE	CONTINUOUS CURRENT RATINGS	THREE POLE
00	9	T02AN13**
0	18	T02BN13**
1	27	T02CN13**

COMMON VOLTAGE CODES

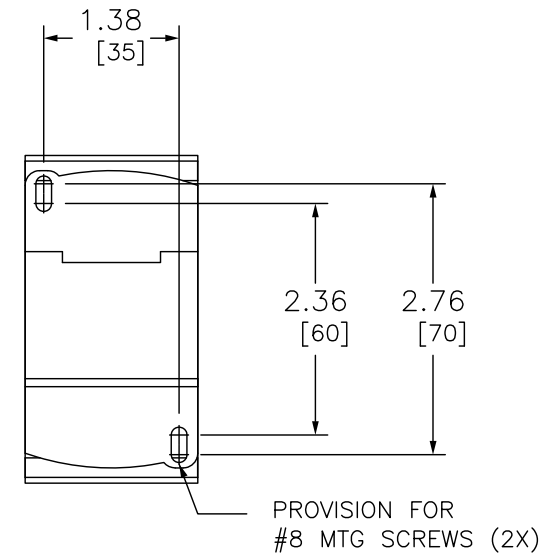
VOLTAGE	CODE (**)
24VDC	BD
24VAC	B7
120VAC	G7
208VAC	LE7
240VAC	U7
480VAC	T7



FRONT



RIGHT



BACK

DUAL DIMENSIONS: INCHES
MILLIMETERS

	MOTOR VOLTS (VAC)	MAX. HP FOR NEMA SIZE		
		00	0	1
SINGLE PHASE	115	1/3	1	2
	230	1	2	3
THREE PHASE	200	1.5	3	7.5
	230	1.5	3	7.5
	460	2	5	10
	575	2	5	10

DIMENSION	DESCRIPTION	DIMENSIONS			
		AC COIL		DC COIL	
		IN	MM	IN	MM
B	WITHOUT ADD-ON ACCESSORIES	3.35	85	3.35	85
	WITH LAD4BB	3.86	98	N/A	N/A
B1	WITH LA4D*2	4.49	114	N/A	N/A
	WITH LA4DF, DT	4.84	123	N/A	N/A
	WITH LA4DR, DW DL	5.12	130	N/A	N/A
C	WITHOUT COVER OR ADD-ON BLOCKS	3.54	90	3.90	99
	WITH COVER, WITHOUT ADD-ON BLOCKS	3.62	92	3.98	101
C1	WITH LADN OR LADC	4.84	123	5.20	132
C2	WITH LAD6K10	5.31	135	5.67	144
C3	WITH LADT, R, S	5.63	143	5.98	152
	WITH LADT, R, S AND SEALING COVER	5.79	147	6.14	156

TESYS NEMA SZ 00, 0, 1 CONTACTOR 3 POLE



DWG#
NO.