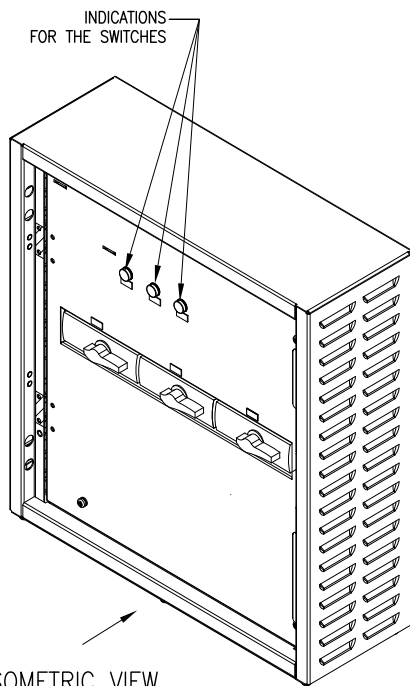
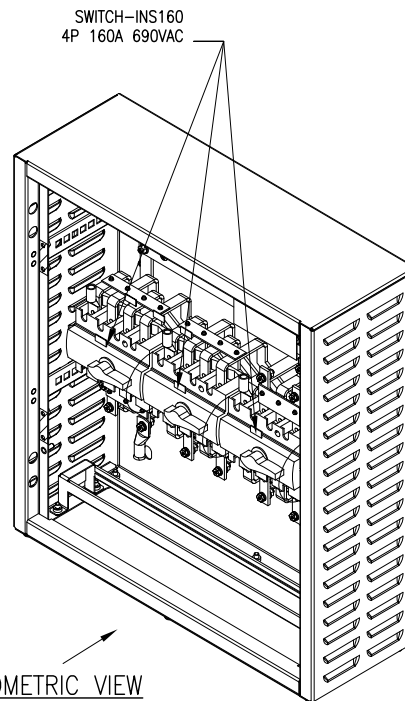


ISOMETRIC VIEW
(EXTERNAL)



ISOMETRIC VIEW
(EXTERNAL-FRONT DOOR REMOVED)



ISOMETRIC VIEW
(INTERNAL)

NOTES:

1. INSTALLATION SHALL COMPLY WITH ALL APPLICABLE NATIONAL, STATE AND LOCAL ELECTRICAL REGULATIONS.
2. PLEASE REFER TO PRODUCT MANUALS FOR ADDITIONAL DETAILS PRIOR TO INSTALLATION AND SITE PREPARATION WORK.

THIS DRAWING AND SPECIFICATIONS HEREIN ARE THE PROPERTY OF SCHNEIDER ELECTRIC AND SHALL NOT BE COPIED, REPRODUCED OR USED IN WHOLE OR IN PART, AS THE BASIS FOR THE MANUFACTURE OR SALE OF ITEMS WITHOUT WRITTEN PERMISSION FROM SCHNEIDER ELECTRIC. THIS DRAWING IS BASED UPON LATEST AVAILABLE INFORMATION AND IS SUBJECT TO CHANGE WITHOUT NOTICE.



TITLE: GALAXY VS
WALLMOUNT MAINTENANCE BYPASS PANEL
20-60KW, 3PH, 400V, SINGLE UNIT
ISOMETRIC VIEW

DWG NO: GVSBPSU20K60H-WP

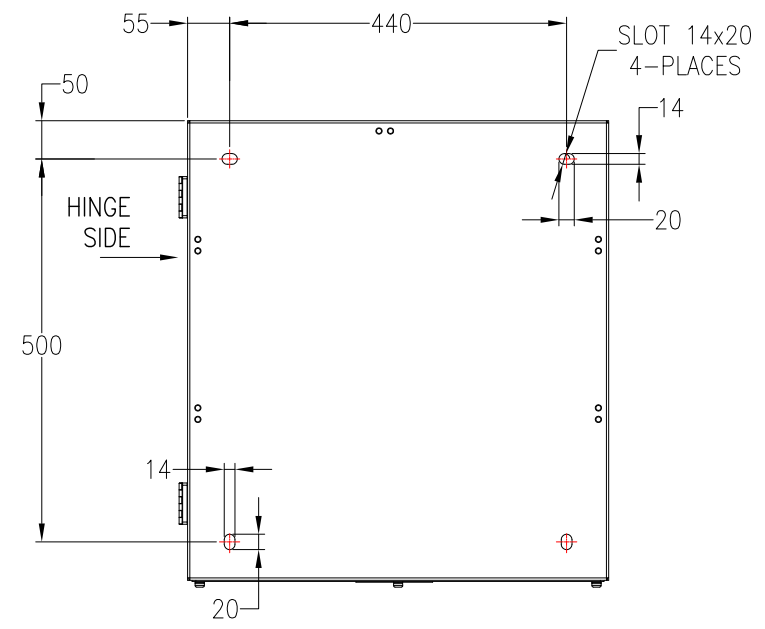
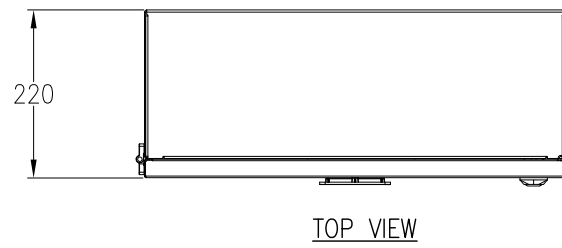
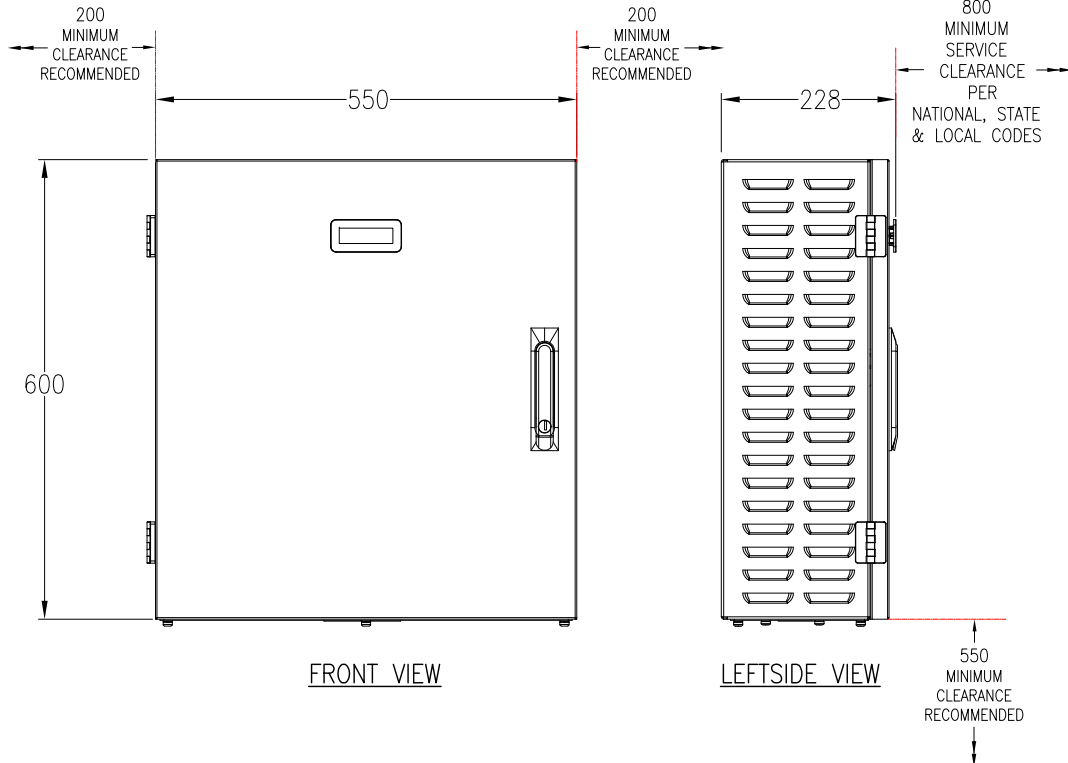
REV. 0

DRAWN: K.NAGENDRA 10-JAN-19

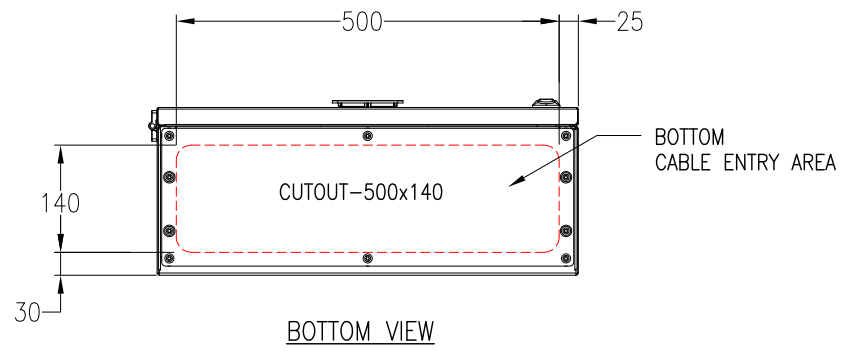
ENGINEER: JiaChen LIN 10-JAN-19

APPROVED: J LIN/R IMMERKAER 10-JAN-19

FIRST ANGLE PROJECTION



FRONT VIEW-WALLMOUNT DETAILS
(DOOR & INTERNAL DETAILS NOT SHOWN FOR THE PURPOSE OF CONVENIENCE)



- NOTES:
1. INSTALLATION SHALL COMPLY WITH ALL APPLICABLE NATIONAL, STATE AND LOCAL ELECTRICAL REGULATIONS.
 2. PLEASE REFER TO PRODUCT MANUALS FOR ADDITIONAL DETAILS PRIOR TO INSTALLATION AND SITE PREPARATION WORK.
 3. ALL DIMENSIONS ARE IN MILLIMETERS.
 4. CABLE ENTRY IS THROUGH THE BOTTOM OF UNIT.
 5. FRONT SERVICE ACCESS IS REQUIRED.
 6. NET WEIGHT OF THE UNIT IS 25kg.

THIS DRAWING AND SPECIFICATIONS HEREIN ARE THE PROPERTY OF SCHNEIDER ELECTRIC AND SHALL NOT BE COPIED, REPRODUCED OR USED IN WHOLE OR IN PART, AS THE BASIS FOR THE MANUFACTURE OR SALE OF ITEMS WITHOUT WRITTEN PERMISSION FROM SCHNEIDER ELECTRIC. THIS DRAWING IS BASED UPON LATEST AVAILABLE INFORMATION AND IS SUBJECT TO CHANGE WITHOUT NOTICE.



TITLE: GALAXY VS WALLMOUNT MAINTENANCE BYPASS PANEL 20-60kW, 3PH, 400V, SINGLE UNIT GENERAL ARRANGEMENT

DWG NO: GVSBPSU20K60H-WP

REV. 0

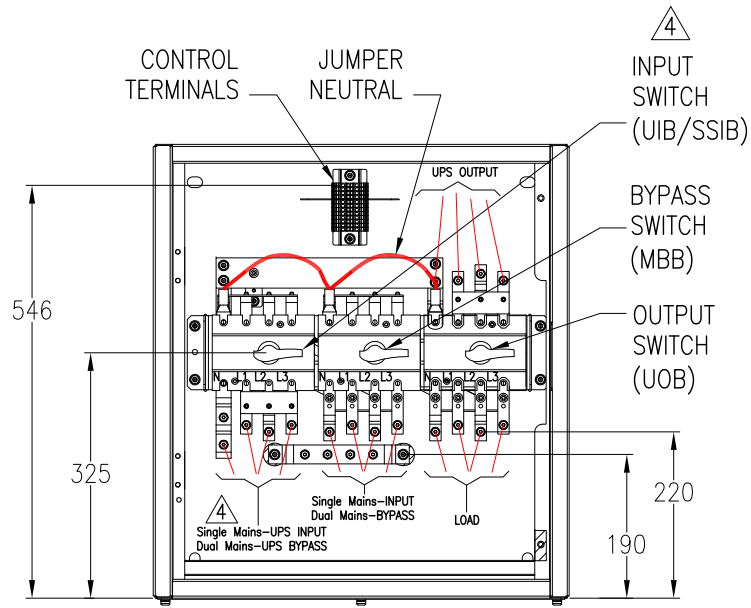
DRAWN: K.NAGENDRA 10-JAN-19

FIRST ANGLE PROJECTION

ENGINEER: JiaChen LIN 10-JAN-19

APPROVED: J LIN/R IMMERKAER 10-JAN-19

PROJECT: SUBMITTAL DRAWINGS SHEET 2 OF 5

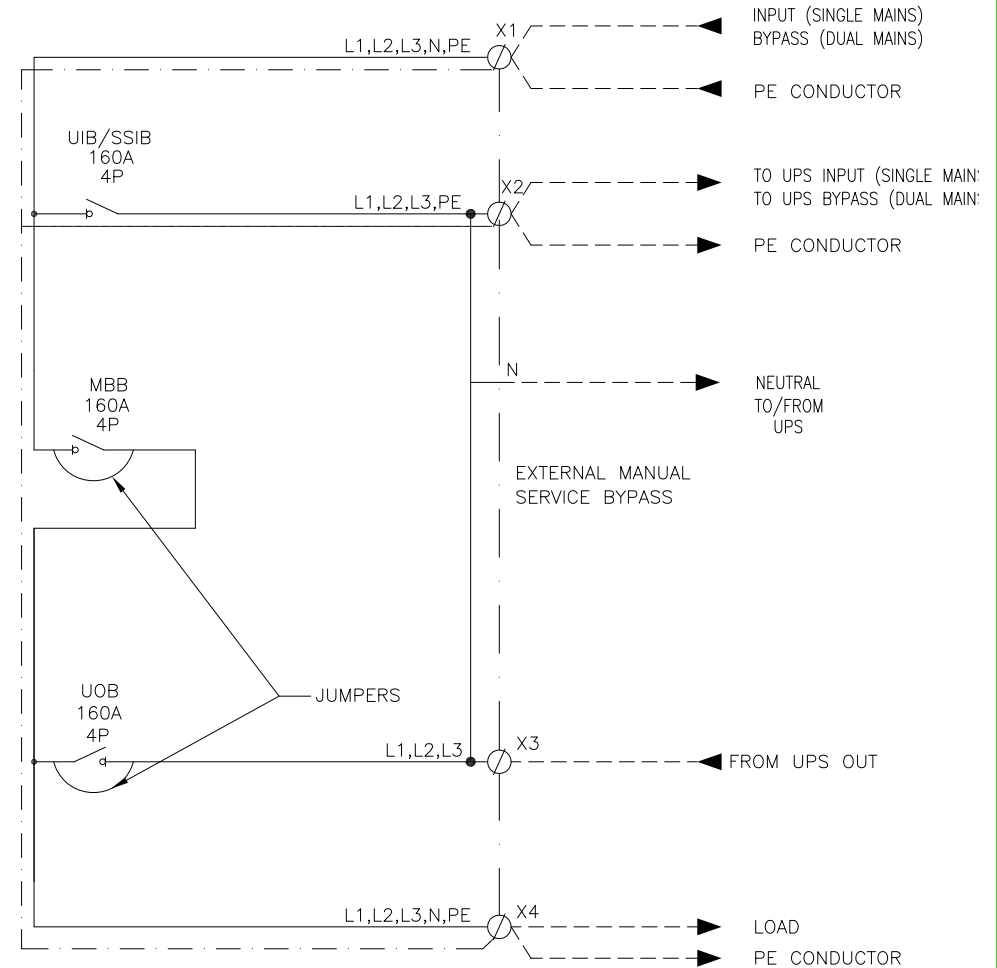


FRONT VIEW
(INTERNAL DETAILS)

NOTES:

1. INSTALLATION SHALL COMPLY WITH ALL APPLICABLE NATIONAL, STATE AND LOCAL ELECTRICAL REGULATIONS.
2. PLEASE REFER TO PRODUCT MANUALS FOR ADDITIONAL DETAILS PRIOR TO INSTALLATION AND SITE PREPARATION WORK.
3. ALL DIMENSIONS ARE IN MILLIMETERS.
- △ 4. FOR SINGLE MAINS CONNECT UPS INPUT CABLES ONLY. FOR DUAL MAINS CONNECT UPS BYPASS CABLES ONLY.
5. REFER TO WIRING DIAGRAM FOR CONTROL AND COMMUNICATION INTERFACE DETAILS.
6. THE NEUTRAL JUMPERS MAKES A BOLTED CONNECTION OF THE NEUTRAL SO THAT THE NEUTRAL IS NOT DISCONNECTED WHEN THE 4-POLE BREAKERS ARE OPENED. DO NOT REMOVE THE NEUTRAL JUMPERS UNLESS ALLOWED BY LOCAL REGULATIONS.
7. MBP WILL SUPPORT UPTO 1+1 REDUNDANT SYSTEM. REFER TO MANUAL FOR CONNECTION DETAILS.

POWER CIRCUIT DIAGRAM



NOTES:

1. DASH-DOT (---) LINES INSIDE OF MBP UNIT, REPRESENT PE-CONDUCTOR CONNECTION.
2. DASHED (---) LINES OUTSIDE OF MBP UNIT, REPRESENT CABLING PROVIDED BY OTHERS.

THIS DRAWING AND SPECIFICATIONS HEREIN ARE THE PROPERTY OF SCHNEIDER ELECTRIC AND SHALL NOT BE COPIED, REPRODUCED OR USED IN WHOLE OR IN PART, AS THE BASIS FOR THE MANUFACTURE OR SALE OF ITEMS WITHOUT WRITTEN PERMISSION FROM SCHNEIDER ELECTRIC. THIS DRAWING IS BASED UPON LATEST AVAILABLE INFORMATION AND IS SUBJECT TO CHANGE WITHOUT NOTICE.



TITLE: GALAXY VS WALLMOUNT MAINTENANCE BYPASS PANEL 20-60kW, 3PH, 400V, SINGLE UNIT INTERNAL VIEW AND POWER CIRCUIT

PROJECT: SUBMITTAL DRAWINGS SHEET 3 OF 5

DWG NO: GVSBSU20K60H-WP REV: 0

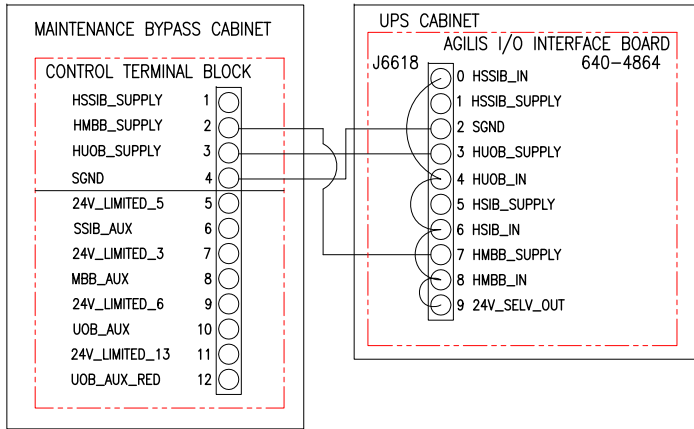
DRAWN: K.NAGENDRA 10-JAN-19

ENGINEER: JiaChen LIN 10-JAN-19

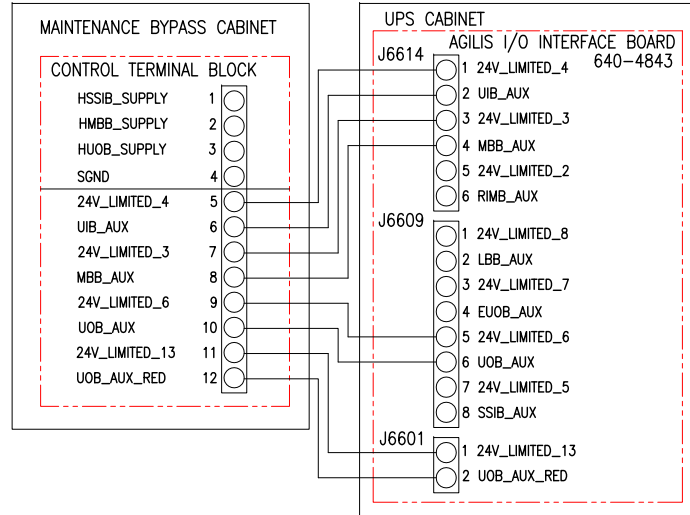
APPROVED: J LIN/R IMMERKAER 10-JAN-19

FIRST ANGLE PROJECTION

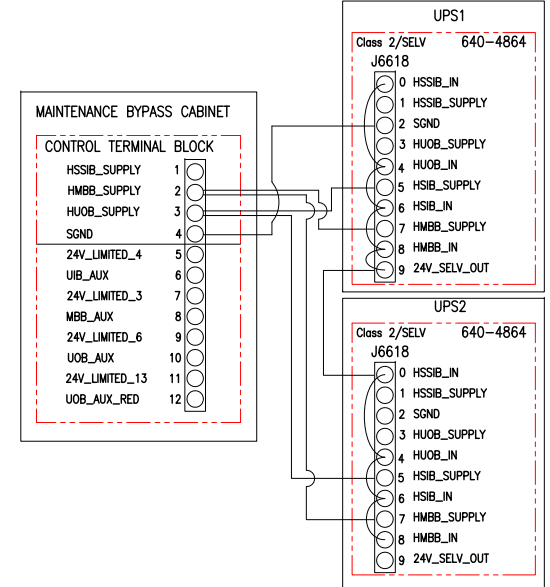
**CONNECTION CLASS 2/SELV SIGNAL CABLE
(SINGLE MAINS SYSTEMS)**



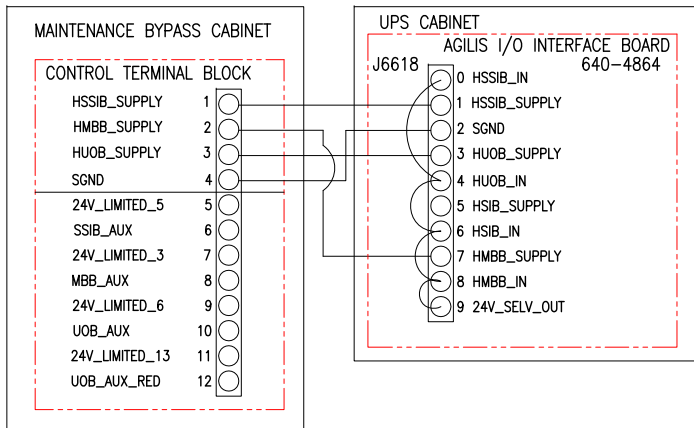
**CONNECTION NON-CLASS 2/NON-SELV SIGNAL CABLE
(SINGLE MAINS SYSTEM)**



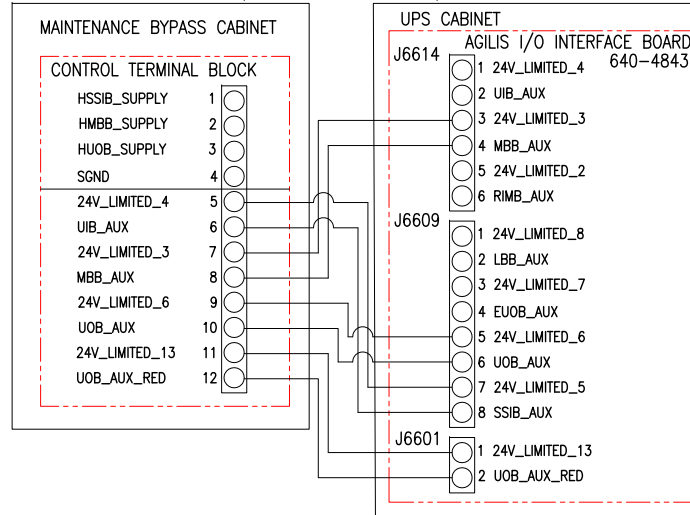
**CONNECTION CLASS 2/SELV SIGNAL CABLE
(SIMPLIFIED 1+1 PARALLEL SYSTEM - SINGLE MAINS)**



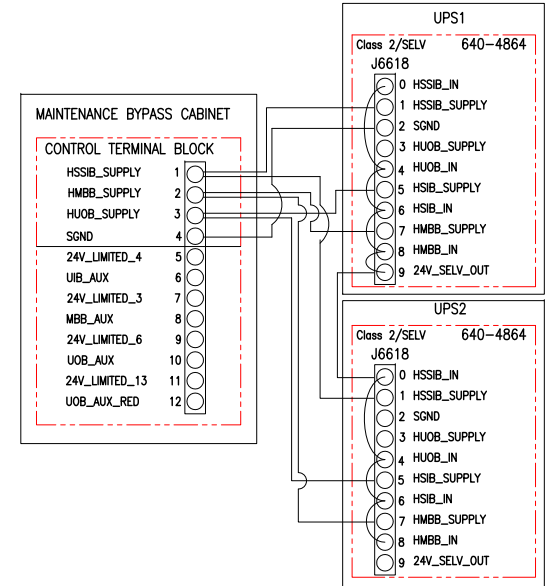
**CONNECTION CLASS 2/SELV SIGNAL CABLE
(DUAL MAINS SYSTEMS)**



**CONNECTION NON-CLASS 2/NON-SELV SIGNAL CABLE
(DUAL MAINS SYSTEM)**



**CONNECTION CLASS 2/SELV SIGNAL CABLE
(SIMPLIFIED 1+1 PARALLEL SYSTEM - DUAL MAINS)**



- NOTES:**
1. INSTALLATION SHALL COMPLY WITH ALL APPLICABLE NATIONAL, STATE AND LOCAL ELECTRICAL REGULATIONS.
 2. PLEASE REFER TO PRODUCT MANUALS FOR ADDITIONAL DETAILS PRIOR TO INSTALLATION AND SITE PREPARATION WORK.
 3. CABLES BETWEEN UPSs AND SYSTEM BYPASS PANEL PROVIDED BY OTHERS.
 4. ROUTE THE SIGNAL CABLES SEPARATELY FROM THE POWER CABLES AND ALSO ROUTE THE CLASS 2/SELV CABLES SEPARATELY FROM THE NON-CLASS 2/NON-SELV CABLES.

THIS DRAWING AND SPECIFICATIONS HEREIN ARE THE PROPERTY OF SCHNEIDER ELECTRIC AND SHALL NOT BE COPIED, REPRODUCED OR USED IN WHOLE OR IN PART, AS THE BASIS FOR THE MANUFACTURE OR SALE OF ITEMS WITHOUT WRITTEN PERMISSION FROM SCHNEIDER ELECTRIC. THIS DRAWING IS BASED UPON LATEST AVAILABLE INFORMATION AND IS SUBJECT TO CHANGE WITHOUT NOTICE.

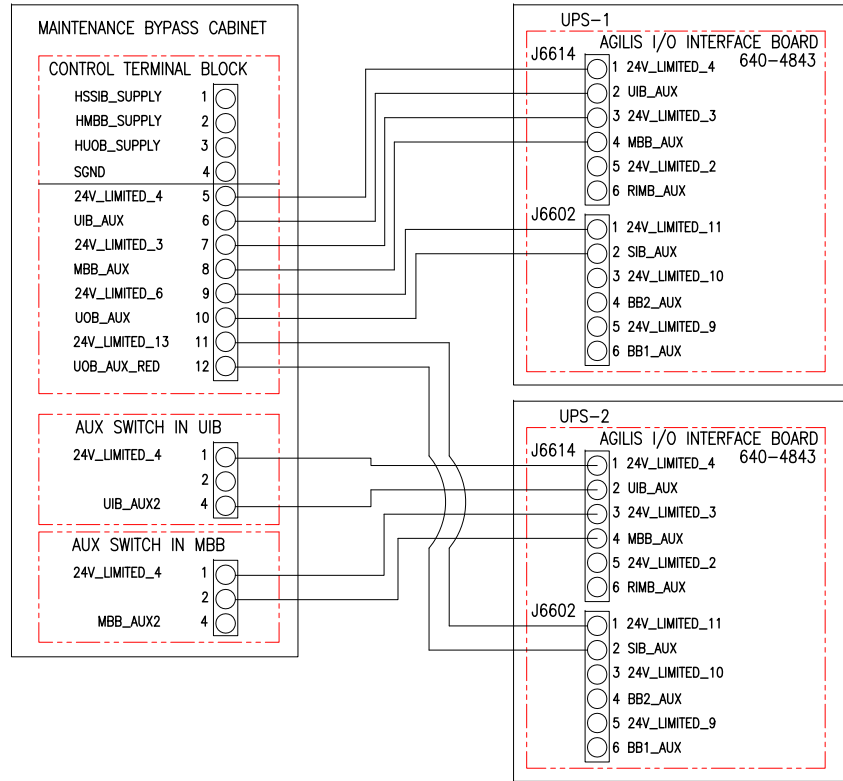


TITLE: GALAXY VS WALLMOUNT MAINTENANCE BYPASS PANEL 20-60kW, 3PH, 400V, SINGLE UNIT CONTROL CONNECTIONS1

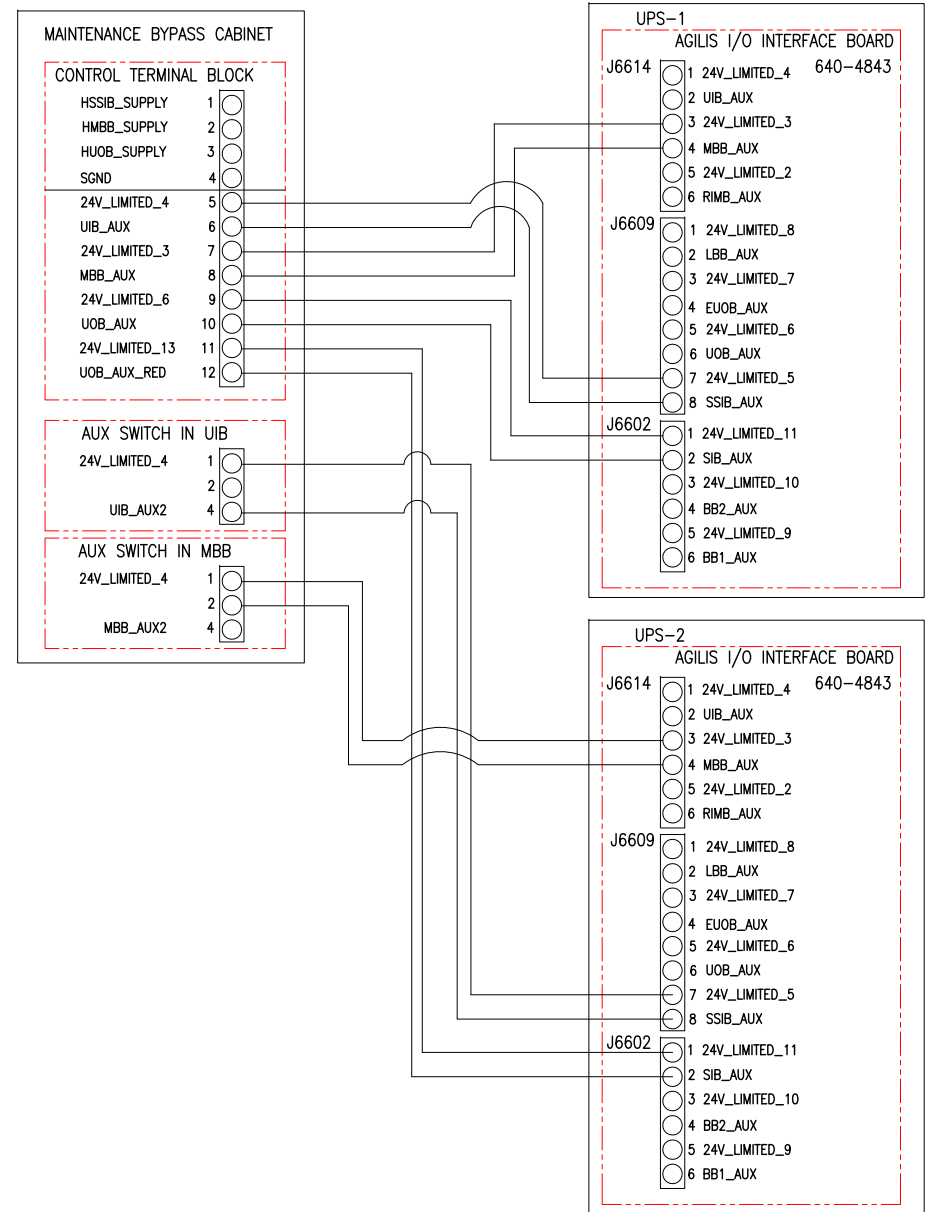
PROJECT: SUBMITTAL DRAWINGS SHEET 4 OF 5

DWG NO: GVSBPUSU20K60H-WP
REVISION: 1
DATE: 14-OCT-19
ENGINEER: JiaChen LIN
APPROVED: J LIN/R IMMERSKAER
FIRST ANGLE PROJECTION:

CONNECTION NON-CLASS 2/NON-SELV SIGNAL CABLE
(SIMPLIFIED 1+1 PARALLEL SYSTEM - SINGLE MAINS)



CONNECTION NON-CLASS 2/NON-SELV SIGNAL CABLE
(SIMPLIFIED 1+1 PARALLEL SYSTEM - DUAL MAINS)



- NOTES:
1. INSTALLATION SHALL COMPLY WITH ALL APPLICABLE NATIONAL, STATE AND LOCAL ELECTRICAL REGULATIONS.
 2. PLEASE REFER TO PRODUCT MANUALS FOR ADDITIONAL DETAILS PRIOR TO INSTALLATION AND SITE PREPARATION WORK.
 3. CABLES BETWEEN UPSs AND SYSTEM BYPASS PANEL PROVIDED BY OTHERS.
 4. ROUTE THE SIGNAL CABLES SEPARATELY FROM THE POWER CABLES AND ALSO ROUTE THE CLASS 2/SELV CABLES SEPARATELY FROM THE NON-CLASS 2/NON-SELV CABLES.

THIS DRAWING AND SPECIFICATIONS HEREIN ARE THE PROPERTY OF SCHNEIDER ELECTRIC AND SHALL NOT BE COPIED, REPRODUCED OR USED IN WHOLE OR IN PART, AS THE BASIS FOR THE MANUFACTURE OR SALE OF ITEMS WITHOUT WRITTEN PERMISSION FROM SCHNEIDER ELECTRIC. THIS DRAWING IS BASED UPON LATEST AVAILABLE INFORMATION AND IS SUBJECT TO CHANGE WITHOUT NOTICE.



TITLE: GALAXY VS
WALLMOUNT MAINTENANCE BYPASS PANEL
20-60kW, 3PH, 400V, SINGLE UNIT
CONTROL CONNECTIONS2

PROJECT: SUBMITTAL DRAWINGS SHEET 5 OF 5

DWG NO: GVSBPUSU20K60H-WP

DRAWN: K.NAGENDRA/BALA 14-OCT-19

ENGINEER: JiaChen LIN 14-OCT-19

APPROVED: J LIN/R IMMERKAER 14-OCT-19

REV: 0

FIRST

ANGLE

PROJECTION: