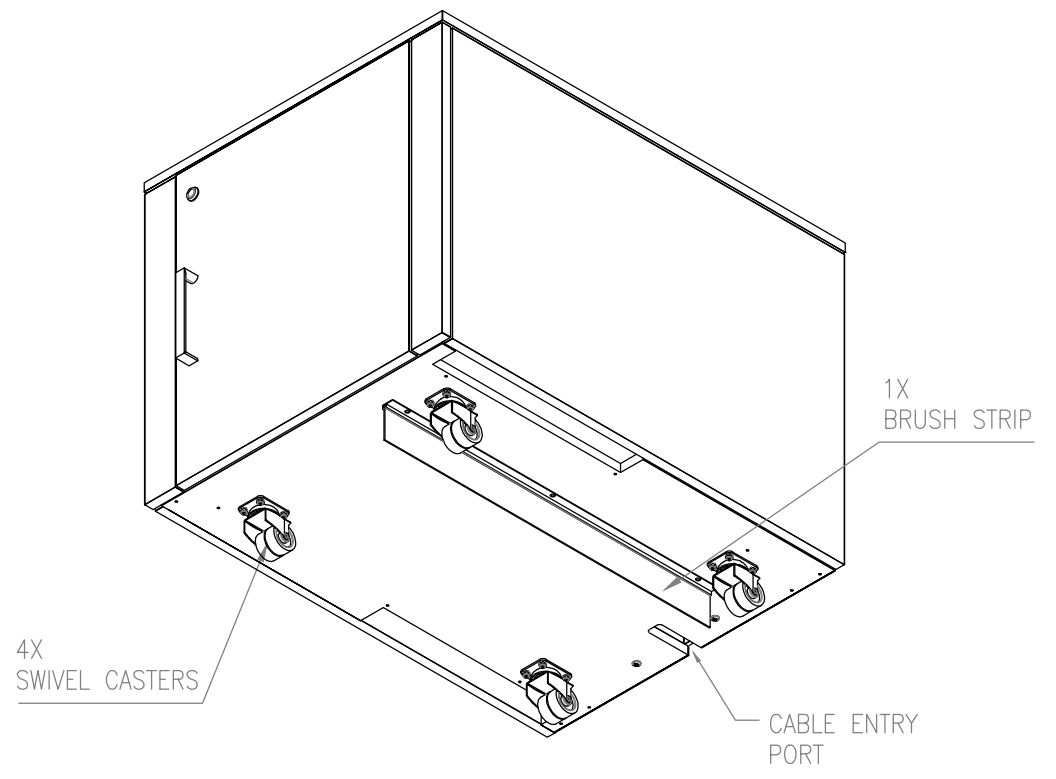


ISOMETRIC VIEW



ISOMETRIC BOTTOM VIEW

NOTES:

1. COMPLY WITH ALL APPLICABLE NATIONAL, STATE AND LOCAL ELECTRICAL REGULATIONS.
2. REFER TO THE PRODUCT DOCUMENTATION FOR ADDITIONAL DETAILS ON UNPACKING PRIOR TO INSTALLATION AND SITE PREPARATION WORK.

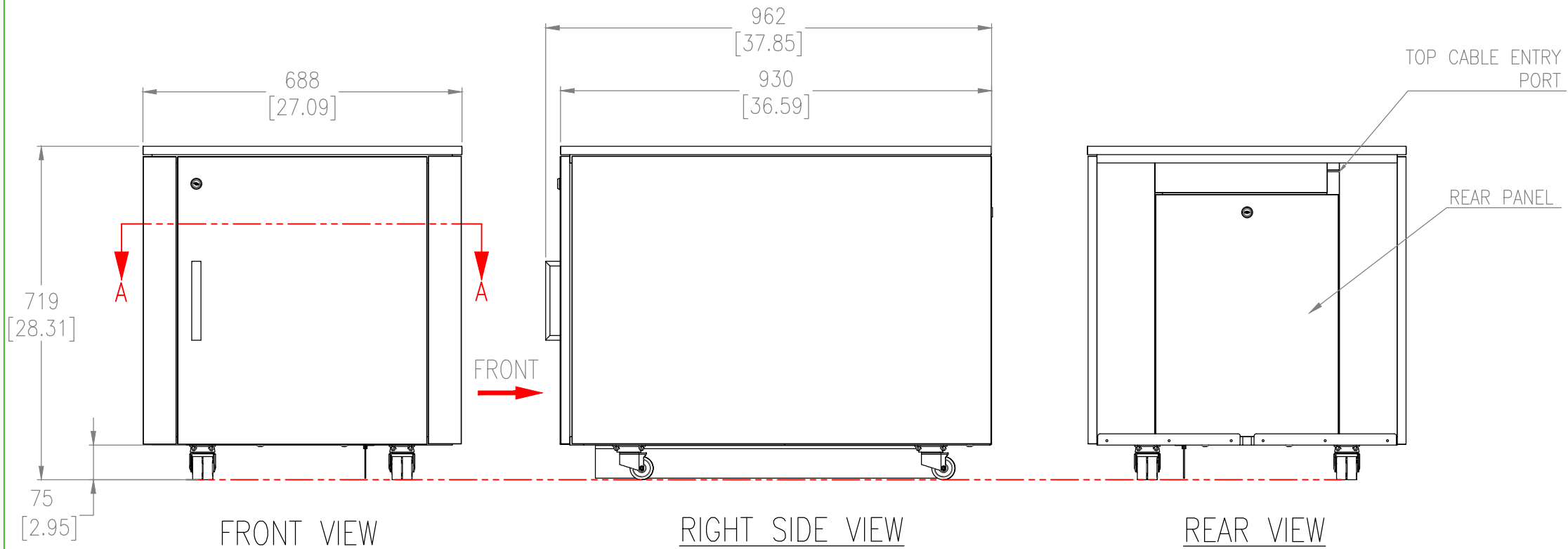
THIS DRAWING AND SPECIFICATIONS HEREIN ARE THE PROPERTY OF SCHNEIDER ELECTRIC AND SHALL NOT BE COPIED, REPRODUCED OR USED IN WHOLE OR IN PART, AS THE BASIS FOR THE MANUFACTURE OR SALE OF ITEMS WITHOUT WRITTEN PERMISSION FROM SCHNEIDER ELECTRIC. THIS DRAWING IS BASED UPON LATEST AVAILABLE INFORMATION AND IS SUBJECT TO CHANGE WITHOUT NOTICE.



TITLE: NetShelter CX Enclosure, 12U
690mm WIDE X 930mm DEEP
ISOMETRIC VIEWS

DWG NO: AR4000MV
DRAWN BY: A DAVE 02-APR-15
ENGINEER: A DAVE 02-APR-15
APPROVED BY: S.FITTON 02-APR-15

REV: 2
THIRD ANGLE PROJECTION



NOTES:

1. COMPLY WITH ALL APPLICABLE NATIONAL, STATE AND LOCAL ELECTRICAL REGULATIONS.
2. REFER TO THE PRODUCT DOCUMENTATION FOR ADDITIONAL DETAILS PRIOR TO INSTALLATION AND SITE PREPARATION WORK.
3. ALL DIMENSIONS ARE IN MILLIMETERS [INCHES].
4. SHIPPING WEIGHT OF ENCLOSURE IS 80.00 Kg [176.37 lbs].
5. CABLE ENTRY IS AT BOTTOM OF ENCLOSURE.
6. FRONT AND REAR ACCESS AVAILABLE.

THIS DRAWING AND SPECIFICATIONS HEREIN ARE THE PROPERTY OF SCHNEIDER ELECTRIC AND SHALL NOT BE COPIED, REPRODUCED OR USED IN WHOLE OR IN PART, AS THE BASIS FOR THE MANUFACTURE OR SALE OF ITEMS WITHOUT WRITTEN PERMISSION FROM SCHNEIDER ELECTRIC. THIS DRAWING IS BASED UPON LATEST AVAILABLE INFORMATION AND IS SUBJECT TO CHANGE WITHOUT NOTICE.



TITLE: NetShelter CX Enclosure,
12U
690mm WIDE X 930mm DEEP
MAIN MECHANICAL

DWG NO: AR4000MV

REV: 2

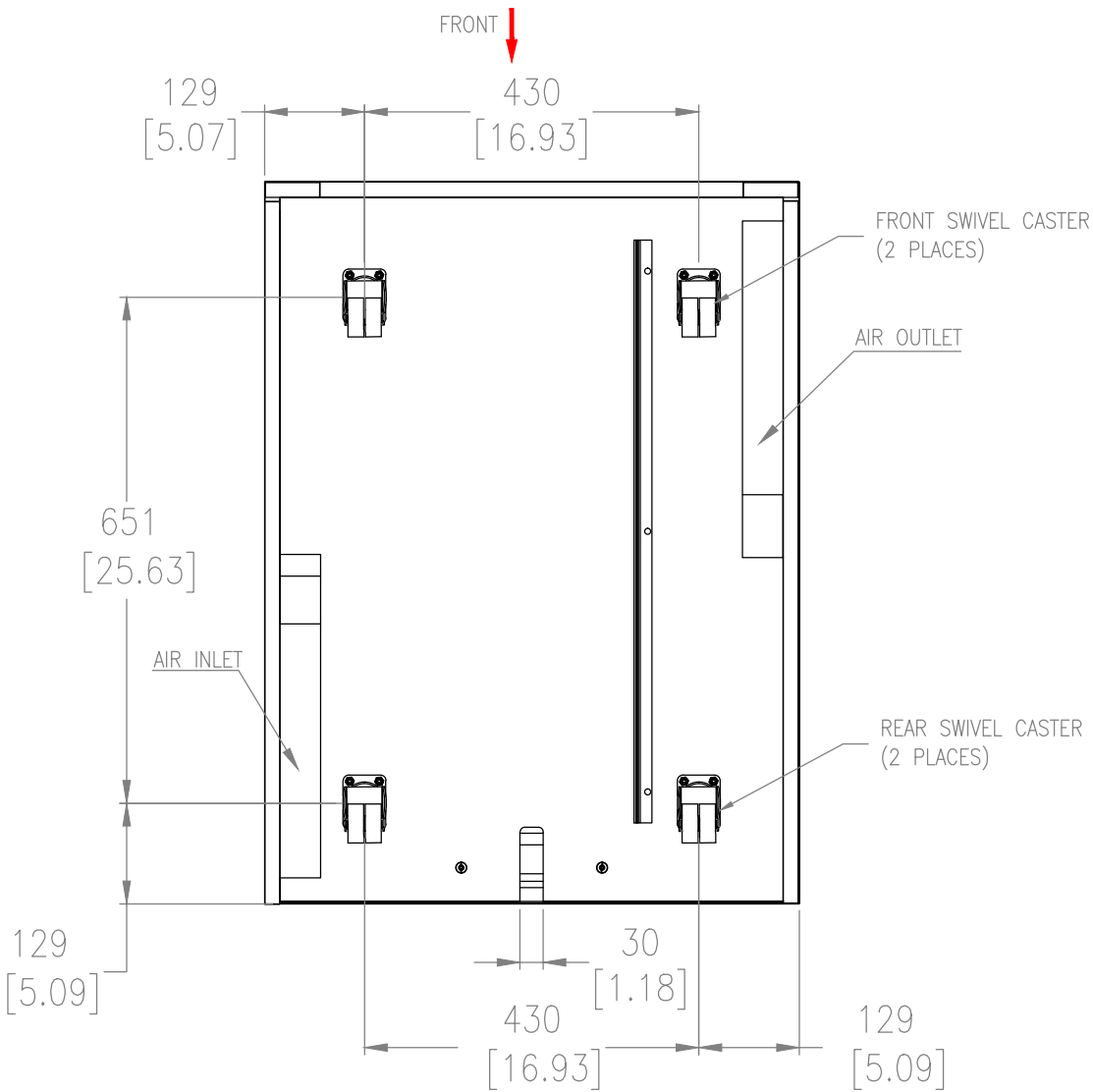
DRAWN BY: A.DAVE 03-APR-15

ENGINEER: A.DAVE 03-APR-15

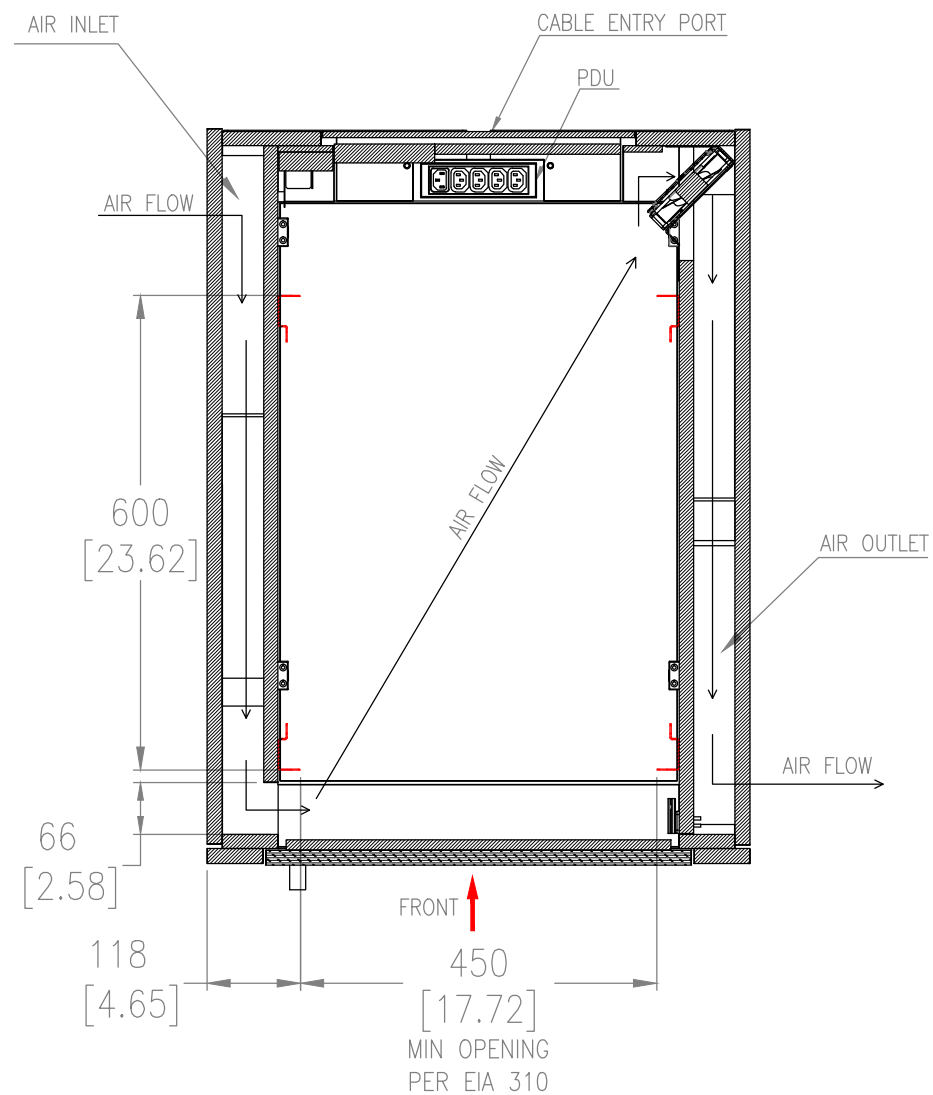
APPROVED BY: S.FITTON 03-APR-15

THIRD ANGLE PROJECTION

PROJECT: SUBMITTAL DRAWINGS SHEET 2 OF 5



BOTTOM VIEW



SECTION A-A
(VIEW FROM INSIDE ENCLOSURE
LOOKING DOWN)

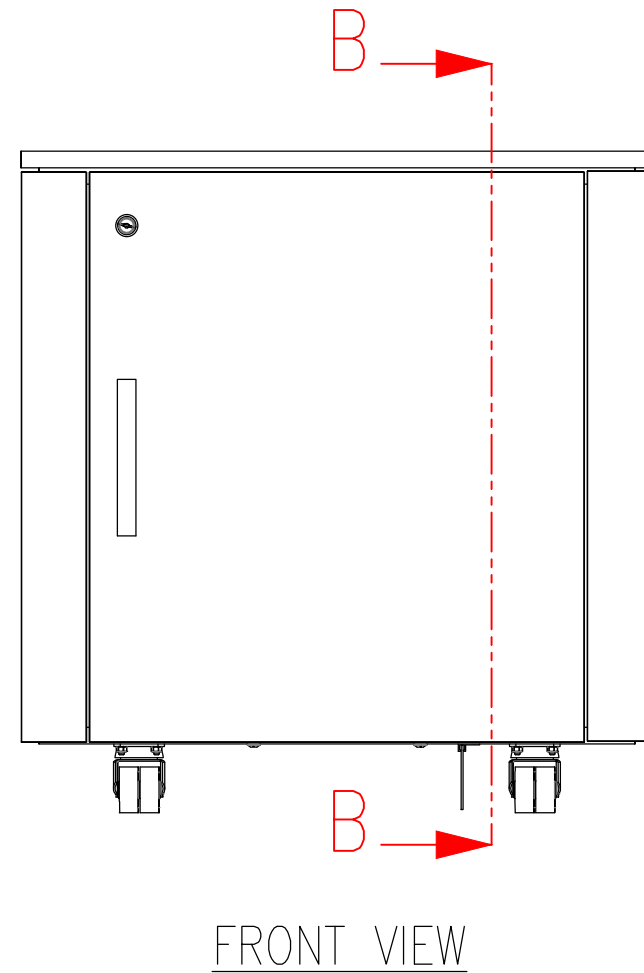
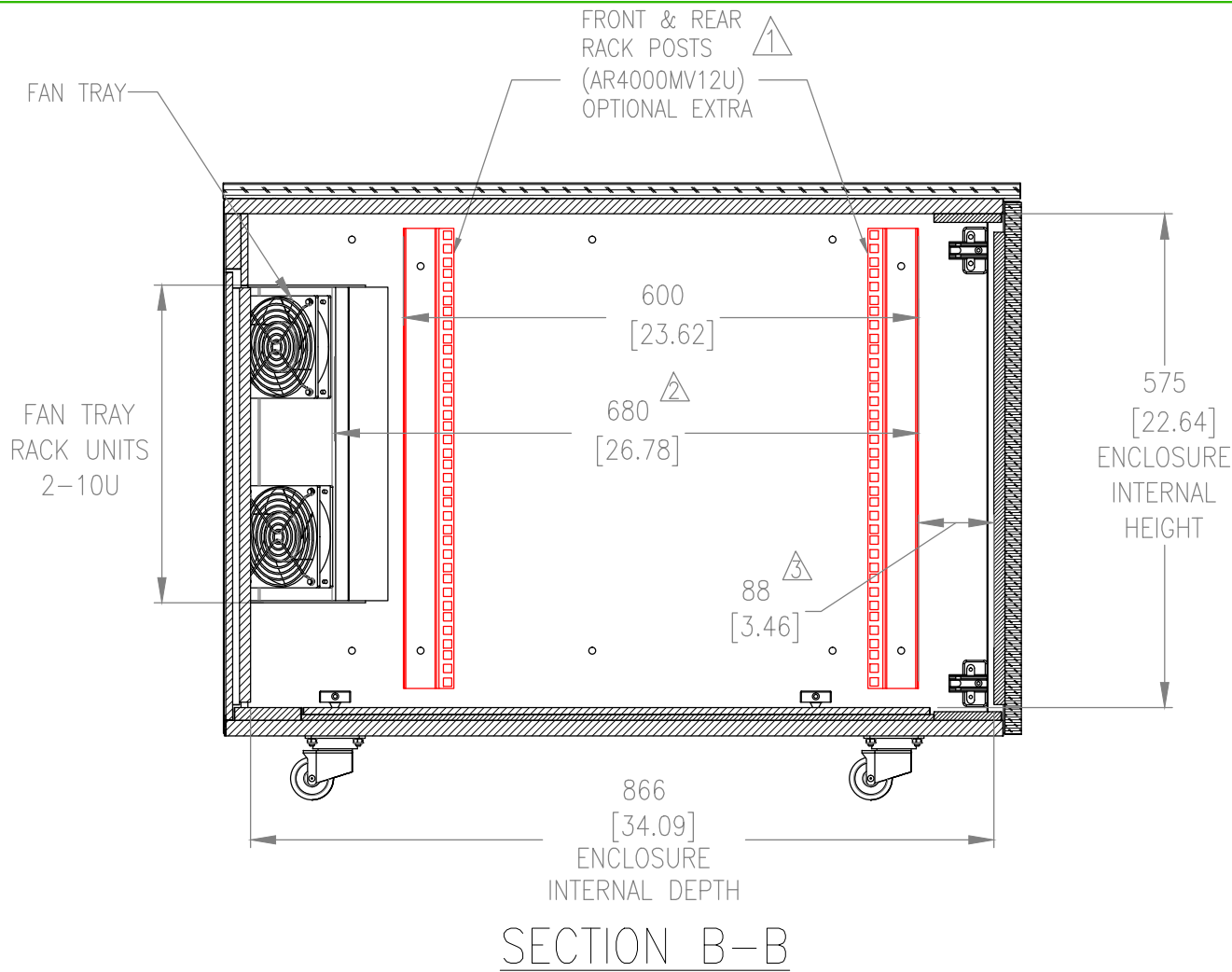
- NOTES:**
1. COMPLY WITH ALL APPLICABLE NATIONAL, STATE AND LOCAL ELECTRICAL REGULATIONS.
 2. REFER TO THE PRODUCT DOCUMENTATION FOR ADDITIONAL DETAILS PRIOR TO INSTALLATION AND SITE PREPARATION WORK.
 3. ALL DIMENSIONS ARE IN MILLIMETERS [INCHES].

THIS DRAWING AND SPECIFICATIONS HEREIN ARE THE PROPERTY OF SCHNEIDER ELECTRIC AND SHALL NOT BE COPIED, REPRODUCED OR USED IN WHOLE OR IN PART, AS THE BASIS FOR THE MANUFACTURE OR SALE OF ITEMS WITHOUT WRITTEN PERMISSION FROM SCHNEIDER ELECTRIC. THIS DRAWING IS BASED UPON LATEST AVAILABLE INFORMATION AND IS SUBJECT TO CHANGE WITHOUT NOTICE.



TITLE: NetShelter CX Enclosure 12U
690mm WIDE x 930mm DEEP
BOTTOM AND SECTION VIEWS

DWG NO:	AR4000MV		REV:	2
DRAWN BY:	A.DAVE	03-APR-15	THIRD	
ENGINEER:	A.DAVE	03-APR-15	ANGLE	
APPROVED BY:	S.FITTON	03-APR-15	PROJECTION	



- △1 — VERTICAL RACK POSTS ARE TO BE PURCHASED SEPARATELY AS AR4000MV12U.
- △2 — DUE TO TRIANGULAR PROTRUSION OF FAN MODULES, INTERNAL CABINET DEPTH REDUCED TO 680mm BETWEEN SPECIFIED RACK UNITS.
- △3 — CLEARANCE IN FRONT OF OPTIONAL RACK

NOTES:

1. COMPLY WITH ALL APPLICABLE NATIONAL, STATE AND LOCAL ELECTRICAL REGULATIONS.
2. REFER TO THE PRODUCT DOCUMENTATION FOR ADDITIONAL DETAILS PRIOR TO INSTALLATION AND SITE PREPARATION WORK.
3. ALL DIMENSIONS ARE IN MILLIMETERS [INCHES].

THIS DRAWING AND SPECIFICATIONS HEREIN ARE THE PROPERTY OF SCHNEIDER ELECTRIC AND SHALL NOT BE COPIED, REPRODUCED OR USED IN WHOLE OR IN PART, AS THE BASIS FOR THE MANUFACTURE OR SALE OF ITEMS WITHOUT WRITTEN PERMISSION FROM SCHNEIDER ELECTRIC. THIS DRAWING IS BASED UPON LATEST AVAILABLE INFORMATION AND IS SUBJECT TO CHANGE WITHOUT NOTICE.



TITLE: NetShelter CX Enclosure 12U
690mm WIDE x 930mm DEEP
INTERNAL VIEWS

DWG NO: AR40000MV

REV. 2

DRAWN BY: A.DAVE 03-APR-15

ENGINEER: A.DAVE 03-APR-15

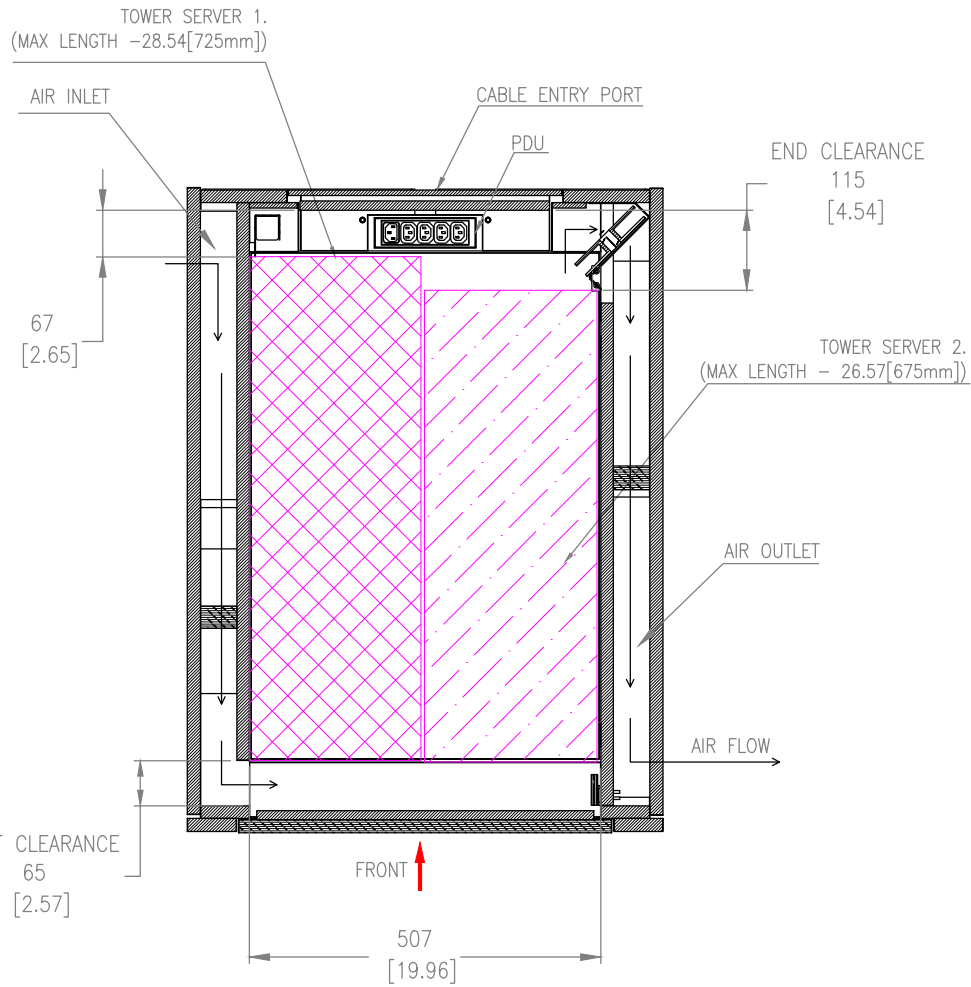
APPROVED BY: S.FITTON 03-APR-15

THIRD

ANGLE

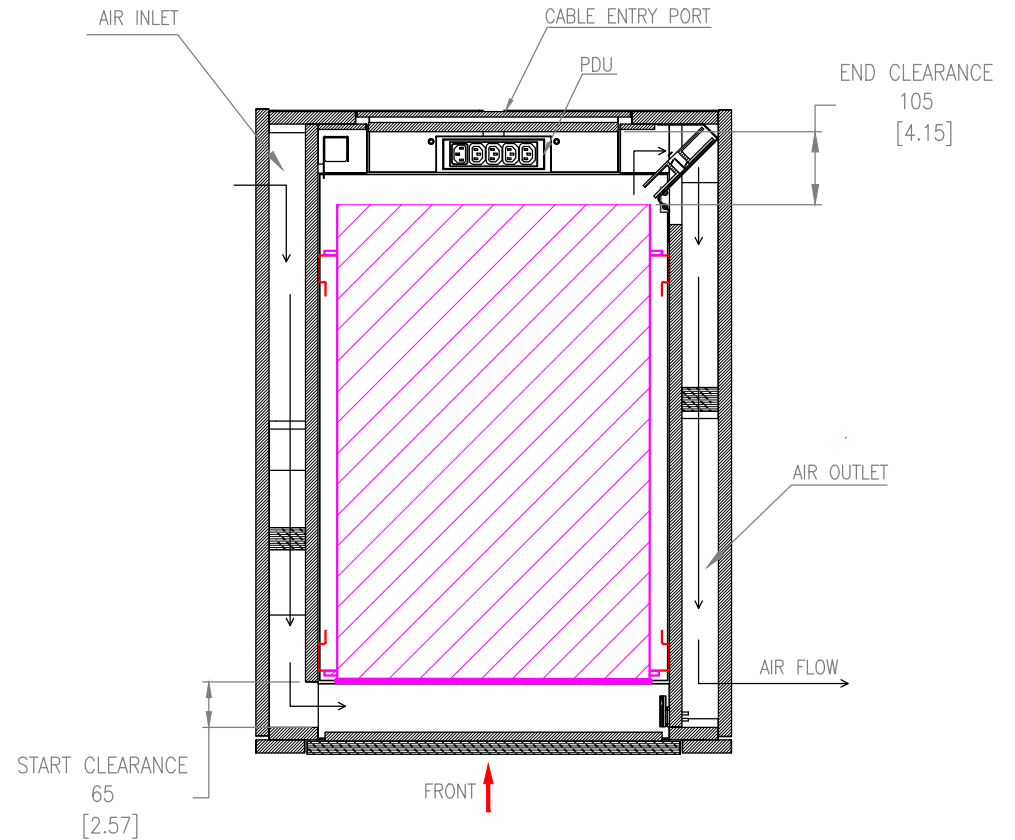
PROJECTION

TOWER SERVER EXAMPLE



INTERNAL-BOTTOM VIEW
(LOOKING FROM TOP)

RACK SERVER EXAMPLE



INTERNAL-BOTTOM VIEW
(LOOKING FROM TOP)

NOTES:

1. COMPLY WITH ALL APPLICABLE NATIONAL, STATE AND LOCAL ELECTRICAL REGULATIONS.
2. REFER TO THE PRODUCT DOCUMENTATION FOR ADDITIONAL DETAILS PRIOR TO INSTALLATION AND SITE PREPARATION WORK.
3. ALL DIMENSIONS ARE IN MILLIMETERS [INCHES].

THIS DRAWING AND SPECIFICATIONS HEREIN ARE THE PROPERTY OF SCHNEIDER ELECTRIC AND SHALL NOT BE COPIED, REPRODUCED OR USED IN WHOLE OR IN PART, AS THE BASIS FOR THE MANUFACTURE OR SALE OF ITEMS WITHOUT WRITTEN PERMISSION FROM SCHNEIDER ELECTRIC. THIS DRAWING IS BASED UPON LATEST AVAILABLE INFORMATION AND IS SUBJECT TO CHANGE WITHOUT NOTICE.



TITLE: NetShelter CX Enclosure, 12U
690mm WIDE x 930mm DEEP
SERVER EXAMPLES

DWG NO: AR4000MV
DRAWN BY: A.DAVE 03-APR-15
ENGINEER: A.DAVE 03-APR-15
APPROVED BY: S.FITTON 03-APR-15

REV. 2
THIRD ANGLE PROJECTION

SHT	DRAWING NUMBER	REVISION									REVISION DESCRIPTION	REVISION INITIATED BY (ECO/ENGR)	REVISION APPROVED BY
		1	2	3	4	5	6	7	8	9			
1	AR4000MV		X								ISOMETRIC VIEWS ADDED. MAIN MECHANICAL MOVED TO SH.2. BOTTOM VIEW MOVED TO SH.3	AD	SF
2	AR4000MV		X								MAIN MECHANICAL WITH REAR VIEW ADDED. INTERNAL VIEW MOVED TO SH.4 AND INTERNAL BOTTOM VIEW MOVED TO SH.3	AD	SF
3	AR4000MV		X								EXAMPLES MOVED TO SH.5	AD	SF
4	AR4000MV		X								SHEET ADDED	AD	SF
5	AR4000MV		X								SHEET ADDED	AD	SF

NOTE:
 △FOR PREVIOUS REVISIONS, CONTACT CAD TEAM.



FILE: AR4000MV_-_Netshelter_CX_12U	INITIALLY DRAWN BY: A.DAVE	FILE REV: 2
INITIAL RELEASE: 28-JUL-14	INITIALLY APPROVED BY: S.FITTON	DATE: 03-APR-15