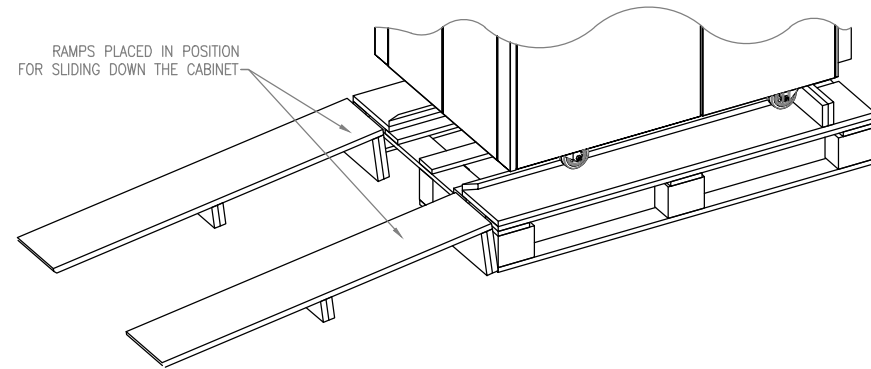
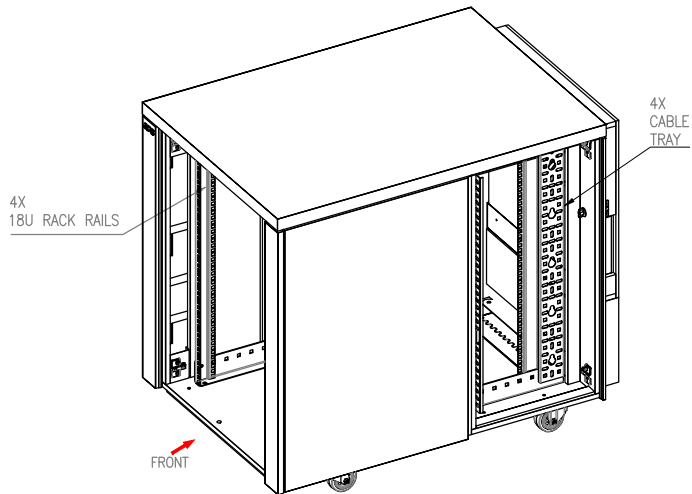


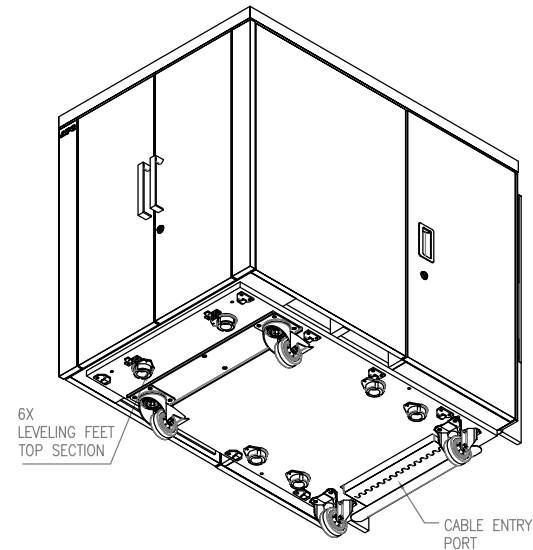
ISOMETRIC VIEW
 (ENCLOSURE AS SHIPPED
 WITH EURO PALLET AND RAMPS)



ISOMETRIC VIEW
 (RAMPS IN POSITION BEFORE SLIDING DOWN
 THE CABINET. REFER TO UNPACKING AND
 INSTALLATION SHEET FOR MORE DETAILS)



ISOMETRIC VIEW
 (FRONT DOORS & SIDE PANELS REMOVED)
 FRONT DOORS AND SIDE PANELS ARE DETACHABLE



ISOMETRIC BOTTOM VIEW
 (LEVELING FEET AND PLINTHS ARE INCLUDED
 IN THE ENCLOSURE AND CAN BE ATTACHED
 AS SHOWN IN SHEET 4)

NOTES:

1. COMPLY WITH ALL APPLICABLE NATIONAL, STATE AND LOCAL ELECTRICAL REGULATIONS.
2. REFER TO THE PRODUCT DOCUMENTATION FOR ADDITIONAL DETAILS ON UNPACKING PRIOR TO INSTALLATION AND SITE PREPARATION WORK.

THIS DRAWING AND SPECIFICATIONS HEREIN ARE THE PROPERTY OF SCHNEIDER ELECTRIC AND SHALL NOT BE COPIED, REPRODUCED OR USED IN WHOLE OR IN PART, AS THE BASIS FOR THE MANUFACTURE OR SALE OF ITEMS WITHOUT WRITTEN PERMISSION FROM SCHNEIDER ELECTRIC. THIS DRAWING IS BASED UPON LATEST AVAILABLE INFORMATION AND IS SUBJECT TO CHANGE WITHOUT NOTICE.



TITLE: NetShelter CX Enclosure,
 18U
 750mm WIDE x 1130mm DEEP
 ISOMETRIC VIEWS

PROJECT: SUBMITTAL DRAWINGS SHEET 1 OF 5

DWG NO: AR4018A

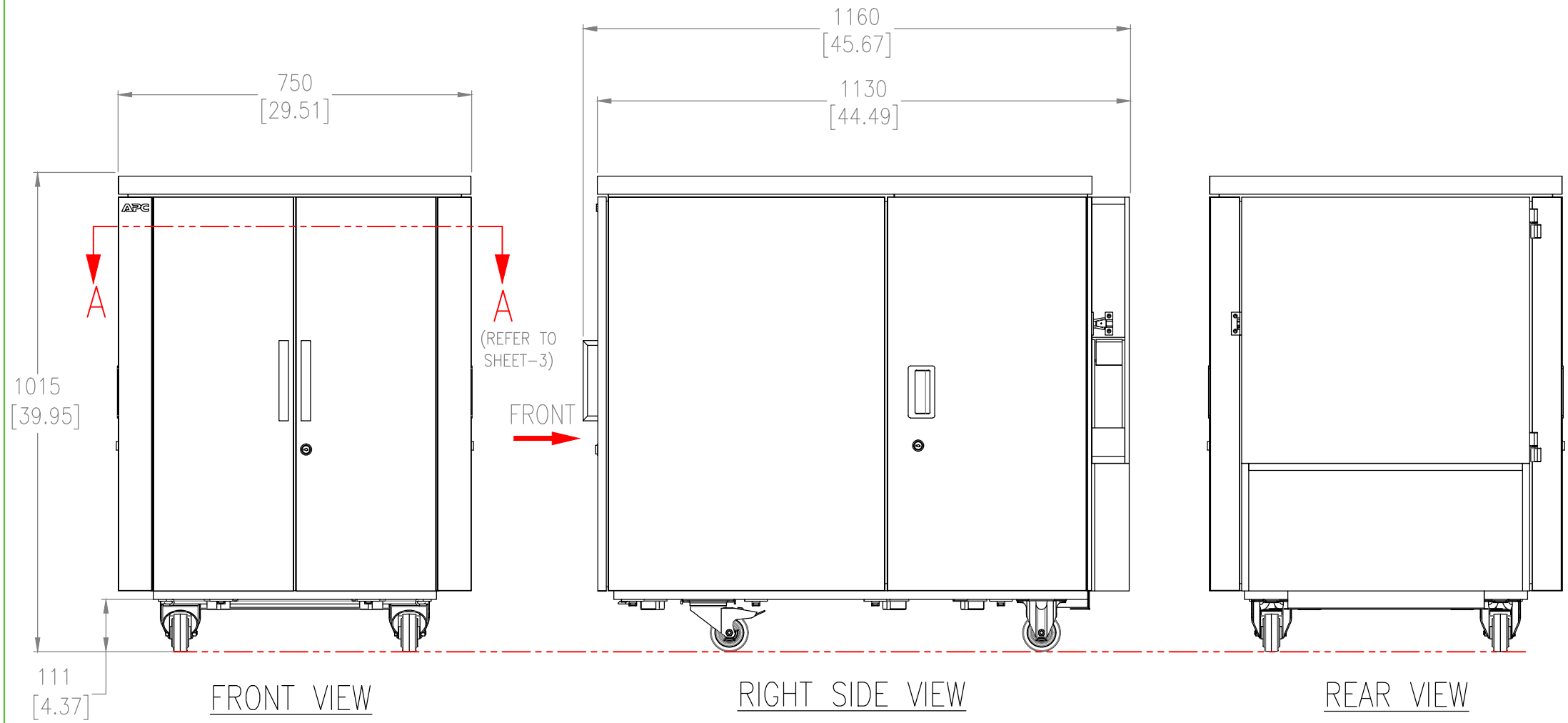
DRAWN BY: A DAVE 13-AUG-14

ENGINEER: A DAVE 13-AUG-14

APPROVED BY: S. FITTON 13-AUG-14

REV: 1

THIRD ANGLE PROJECTION



NOTES:

1. COMPLY WITH ALL APPLICABLE NATIONAL, STATE AND LOCAL ELECTRICAL REGULATIONS.
2. REFER TO THE PRODUCT DOCUMENTATION FOR ADDITIONAL DETAILS PRIOR TO INSTALLATION AND SITE PREPARATION WORK.
3. ALL DIMENSIONS ARE IN MILLIMETERS [INCHES].
4. SHIPPING WEIGHT OF ENCLOSURE IS 170.00 Kg [374.79 lbs].
5. CABLE ENTRY IS AT BOTTOM OF ENCLOSURE.
6. FRONT AND REAR ACCESS AVAILABLE.
7. ENCLOSURE WHEN SHIPPED DOES NOT HAVE PLINTH AND LEVELING FEET ATTACHED BUT ARE INCLUDED INSIDE THE ENCLOSURE. SEE SHEET 4 FOR DETAILS.

THIS DRAWING AND SPECIFICATIONS HEREIN ARE THE PROPERTY OF SCHNEIDER ELECTRIC AND SHALL NOT BE COPIED, REPRODUCED OR USED IN WHOLE OR IN PART, AS THE BASIS FOR THE MANUFACTURE OR SALE OF ITEMS WITHOUT WRITTEN PERMISSION FROM SCHNEIDER ELECTRIC. THIS DRAWING IS BASED UPON LATEST AVAILABLE INFORMATION AND IS SUBJECT TO CHANGE WITHOUT NOTICE.



TITLE: NetShelter CX Enclosure, International 18U, 750mm WIDEx1130mm DEEP MAIN MECHANICAL

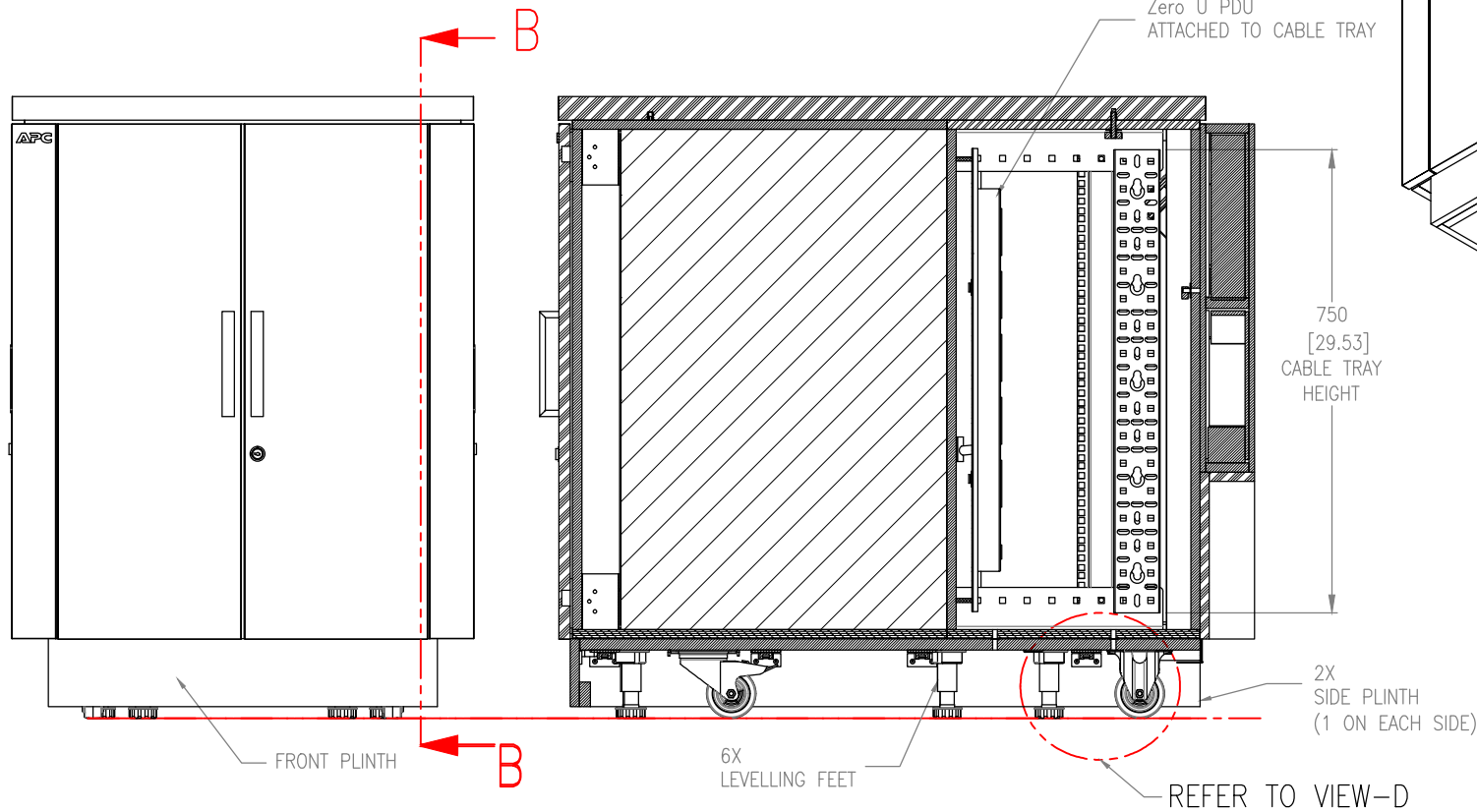
PROJECT: SUBMITTAL DRAWINGS SHEET 2 OF 5

DWG NO: AR4018A

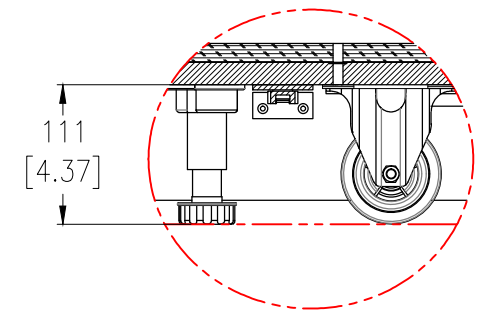
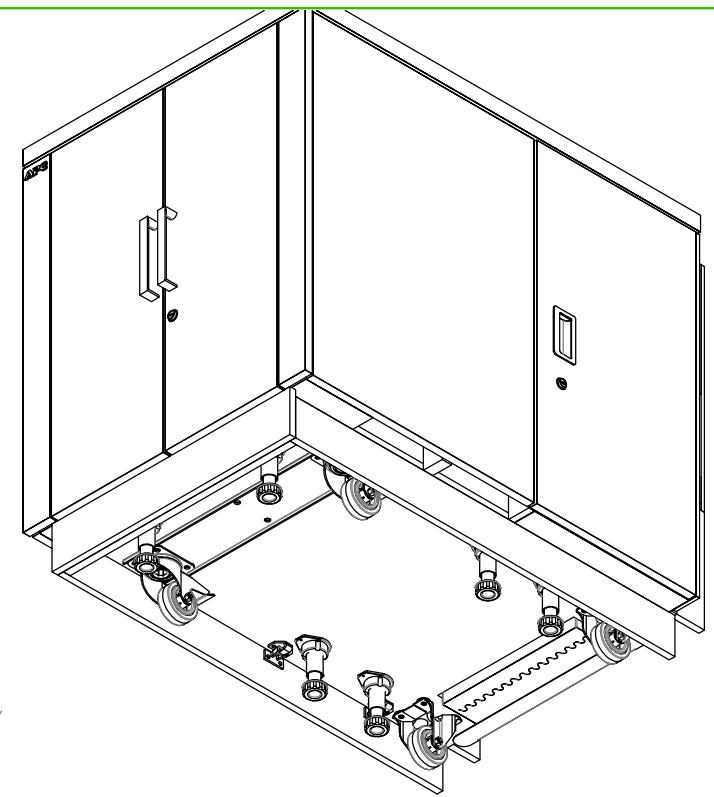
DRAWN BY:	A.DAVE	13-AUG-14
ENGINEER:	A.DAVE	13-AUG-14
APPROVED BY:	S.FITTON	13-AUG-14

REV: 2

THIRD ANGLE PROJECTION



SECTION B-B



VIEW-D (ENLARGED)
(WITH ENCLOSURE RESTING ON LEVELLING FEET & WHEELS)

NOTES:

1. COMPLY WITH ALL APPLICABLE NATIONAL, STATE AND LOCAL ELECTRICAL REGULATIONS.
2. REFER TO THE PRODUCT DOCUMENTATION FOR ADDITIONAL DETAILS PRIOR TO INSTALLATION AND SITE PREPARATION WORK.
3. ALL DIMENSIONS ARE IN MILLIMETERS [INCHES].

THIS DRAWING AND SPECIFICATIONS HEREIN ARE THE PROPERTY OF SCHNEIDER ELECTRIC AND SHALL NOT BE COPIED, REPRODUCED OR USED IN WHOLE OR IN PART, AS THE BASIS FOR THE MANUFACTURE OR SALE OF ITEMS WITHOUT WRITTEN PERMISSION FROM SCHNEIDER ELECTRIC. THIS DRAWING IS BASED UPON LATEST AVAILABLE INFORMATION AND IS SUBJECT TO CHANGE WITHOUT NOTICE.



TITLE: NetShelter CX Enclosure, International 18U
750mm WIDEx1130mm DEEP WITH PLINTH AND FEET ATTACHED

PROJECT: SUBMITTAL DRAWINGS SHEET 4 OF 5

DWG NO: AR4018A

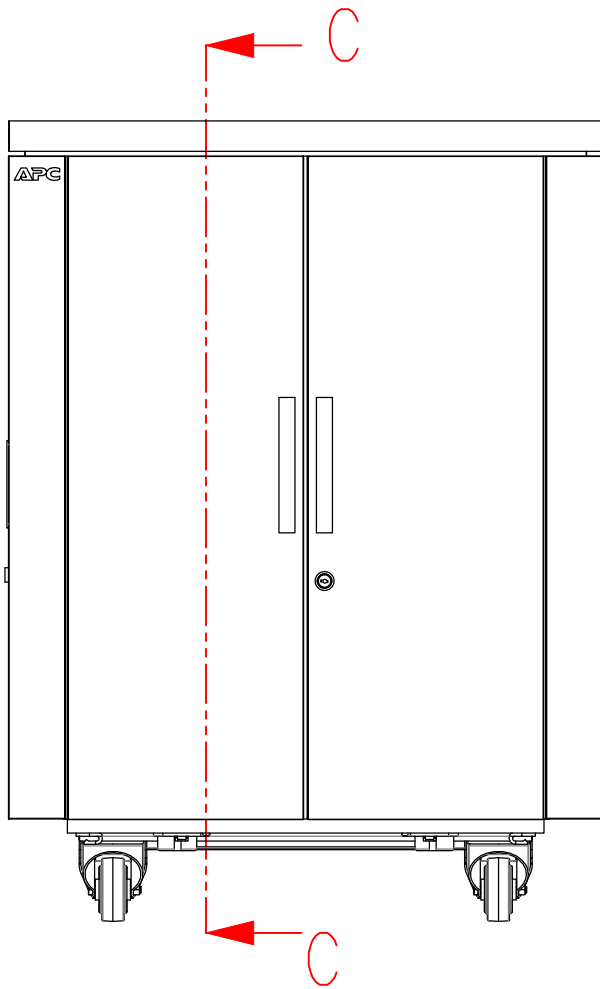
DRAWN BY: A.DAVE 13-AUG-14

ENGINEER: A.DAVE 13-AUG-14

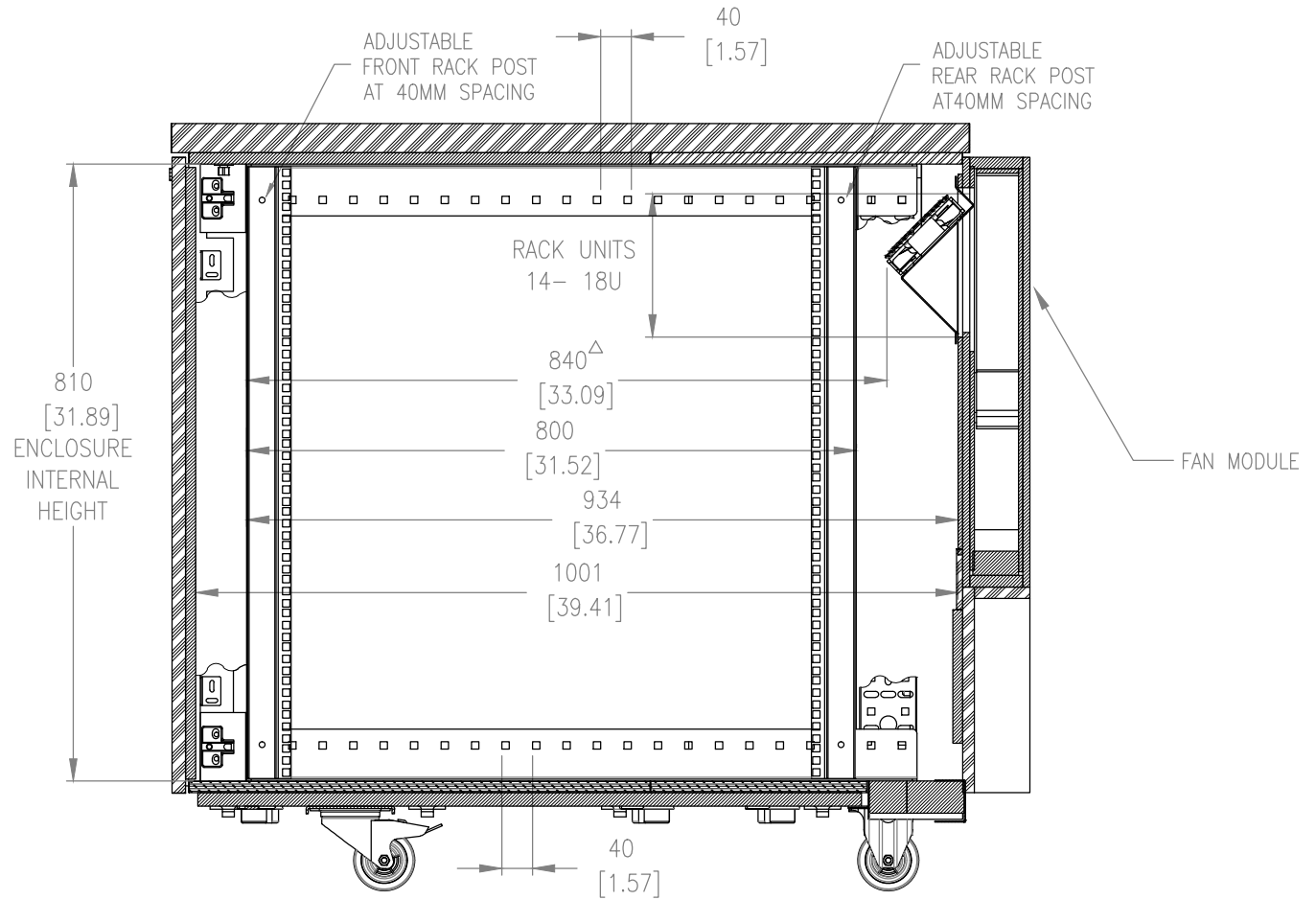
APPROVED BY: S.FITTON 13-AUG-14

REV. 1

THIRD ANGLE PROJECTION



FRONT VIEW



SECTION C-C

△ — DUE TO TRIANGULAR PROTRUSION OF FAN MODULES, INTERNAL CABINET DEPTH REDUCED TO 840mm BETWEEN SPECIFIED RACK UNITS.

NOTES:

1. COMPLY WITH ALL APPLICABLE NATIONAL, STATE AND LOCAL ELECTRICAL REGULATIONS.
2. REFER TO THE PRODUCT DOCUMENTATION FOR ADDITIONAL DETAILS PRIOR TO INSTALLATION AND SITE PREPARATION WORK.
3. ALL DIMENSIONS ARE IN MILLIMETERS [INCHES].

THIS DRAWING AND SPECIFICATIONS HEREIN ARE THE PROPERTY OF SCHNEIDER ELECTRIC AND SHALL NOT BE COPIED, REPRODUCED OR USED IN WHOLE OR IN PART, AS THE BASIS FOR THE MANUFACTURE OR SALE OF ITEMS WITHOUT WRITTEN PERMISSION FROM SCHNEIDER ELECTRIC. THIS DRAWING IS BASED UPON LATEST AVAILABLE INFORMATION AND IS SUBJECT TO CHANGE WITHOUT NOTICE.



TITLE: NetShelter CX Enclosure
International 18U
750mm WIDEx1130mm DEEP
INTERNAL VIEWS

DWG NO: AR4018A

REV. 1

DRAWN BY: A.DAVE 13-AUG-14

ENGINEER: A.DAVE 13-AUG-14

APPROVED BY: S.FITTON 13-AUG-14

PROJECT: SUBMITTAL DRAWINGS SHEET 5 OF 5

THIRD ANGLE PROJECTION

SHT	DRAWING NUMBER	REVISION									REVISION DESCRIPTION	REVISION INITIATED BY (ECO/ENGR)	REVISION APPROVED BY
		1	2	3	4	5	6	7	8	9			
1	AR4018A	X									ISOMETRIC VIEWS ADDED. MAIN MECHANICAL MOVED TO SH.2. BOTTOM VIEW MOVED TO SH.3	AD	SF
2	AR4018A		X								MAIN MECHANICAL WITH REAR VIEW ADDED. INTERNAL VIEW MOVED TO SH.5 AND INTERNAL BOTTOM VIEW MOVED TO SH.3	AD	SF
3	AR4018A	X									SHEET ADDED	AD	SF
4	AR4018A	X									SHEET ADDED	AD	SF
5	AR4018A	X									SHEET ADDED	AD	SF

NOTE:
 △FOR PREVIOUS REVISIONS, CONTACT CAD TEAM.



FILE: AR4018A_-_NetShelter_CX_18U	INITIALLY DRAWN BY: A.DAVE	FILE REV: 2
INITIAL RELEASE: 28-JUL-14	INITIALLY APPROVED BY: S.FITTON	DATE: 13-AUG-14