

**LEGEND:**

---	AC CABLE -- PROVIDED BY OTHERS
---	AC BUS
—	DC BUS

DEVICE	RATED SHORT CIRCUIT CURRENT
UPS	30kAIC SYMMETRICAL
XR BATTERY	10kAIC SYMMETRICAL
SBP	20kAIC SYMMETRICAL

DEVICE RATING FOR SUVTPTSBP10K15F

Q1, Q2, Q3	60A	CB 3POLE 600V	SQUARE-D BY SCHNEIDER ELECTRIC	HDL36060AB	2A/2B STANDARD
------------	-----	---------------	--------------------------------	------------	----------------

DEVICE RATING FOR SUVTSPBP20K30F

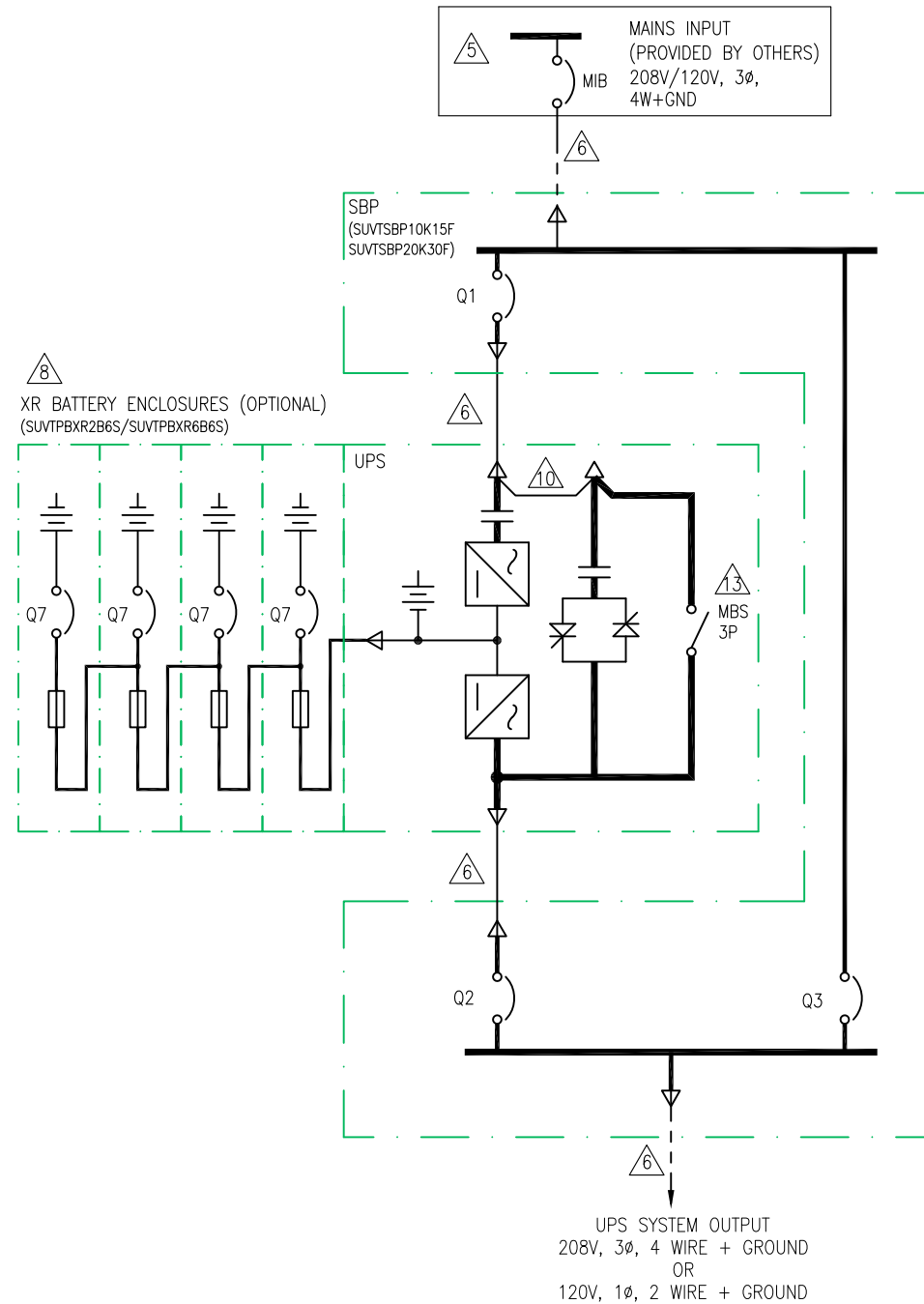
Q1, Q2, Q3	125A	CB 3POLE 600V	SQUARE-D BY SCHNEIDER ELECTRIC	HDL36125AB	2A/2B STANDARD
------------	------	---------------	--------------------------------	------------	----------------

DEVICE RATING FOR SUVTPBXR2B6S/SUVTBXR6B6S

Q7	250A	CB 3POLE 500V	SQUARE-D BY SCHNEIDER ELECTRIC	KHL3625025DC1386	1-SHUNT TRIP (24VDC) 1-AUX. SWITCH
----	------	---------------	--------------------------------	------------------	------------------------------------

**NOTES:**

- INSTALLATION SHALL COMPLY WITH ALL APPLICABLE LOCAL AND NATIONAL CODES.
  - PLEASE REFER TO PRODUCT DOCUMENTATION FOR ADDITIONAL DETAILS.
  - DRAWING DEPICTS POWER SYSTEM CONNECTIONS AND IS NOT REPRESENTATIVE OF PHYSICAL LAYOUT, PLEASE REFER TO MECHANICAL DRAWINGS FOR PHYSICAL LAYOUT.
  - ALL AC BREAKERS ARE 80% CONTINUOUS DUTY RATED WITH 2A/2B AUX CONTACTS FOR APC CONTROL AND COORDINATED WITH REQUIRED SYSTEM SETTINGS AS DETAILED IN PRODUCT DOCUMENTATION. ADDITIONAL 2A/2B AUX CONTACTS TO BE WIRED TO TERMINAL STRIP FOR CUSTOMER USE. BREAKER SIZING IS BASED ON NOMINAL MAINS VOLTAGE.
- △5. AC SOURCE TO BE 208VAC, 4W, 3φ (CONTACT Schneider Electric IF OTHER)
- △6. AC CABLING TO BE 600V RATED, 3φ, 4W+GND.
7. DC SOURCE TO BE 384VDC WITH CENTER TAP, 3W+GND.
- △8. UP TO FOUR XR BATTERY ENCLOSURES CONNECTED TO THE UPS TO EXTEND BACKUP TIME.
9. CABLE LUGS ARE PROVIDED BY OTHERS.
- △10. REMOVABLE BUS LINK. TO BE REMOVED FOR DUAL MAINS.
11. UPS INPUT AND OUTPUT CABLES SHOULD BE SEGREGATED.
12. POWER WIRING AND CONTROL WIRING SHOULD BE SEGREGATED.
- △13. TO BE REMOVED FOR PARALLEL INSTALLATION.
14. SINGLE MODULE, FOR LINEUP CONFIGURATION ONLY.



THIS DRAWING AND SPECIFICATIONS HEREIN ARE THE PROPERTY OF SCHNEIDER ELECTRIC AND SHALL NOT BE COPIED, REPRODUCED OR USED IN WHOLE OR IN PART, AS THE BASIS FOR THE MANUFACTURE OR SALE OF ITEMS WITHOUT WRITTEN PERMISSION FROM SCHNEIDER ELECTRIC. THIS DRAWING IS BASED UPON LATEST AVAILABLE INFORMATION AND IS SUBJECT TO CHANGE WITHOUT NOTICE.



TITLE: SMART-UPS VT  
 INPUT: 208V 3PH, SINGLE MAINS  
 OUTPUT: 208V 3PH  
 10-30kVA 1MOD WITH SBP  
 SYSTEM SINGLE-LINE DIAGRAM

PROJECT: SUBMITTAL DRAWINGS SHEET 1 OF 3

DWG NO: SUVTSPBP10K30F1C1-SD

DRAWN: S CUNHA	10APR2015	PROJ ANGLE
ENGINEER: M MAISSY	10APR2015	N/A
APPROVED: D LOEWENSTEIN	10APR2015	

REV. 0

**LEGEND:**

---	AC CABLE -- PROVIDED BY OTHERS
---	AC BUS
---	DC BUS

DEVICE	RATED SHORT CIRCUIT CURRENT
UPS	30kAIC SYMMETRICAL
XR BATTERY	10kAIC SYMMETRICAL
SBP	20kAIC SYMMETRICAL

DEVICE RATING FOR SUVTPSBP10K15F

Q1, Q2, Q3	60A	CB 3POLE 600V	SQUARE-D BY SCHNEIDER ELECTRIC	HDL36060AB	2A/2B STANDARD
------------	-----	---------------	--------------------------------	------------	----------------

DEVICE RATING FOR SUVTPSBP20K30F

Q1, Q2, Q3	125A	CB 3POLE 600V	SQUARE-D BY SCHNEIDER ELECTRIC	HDL36125AB	2A/2B STANDARD
------------	------	---------------	--------------------------------	------------	----------------

DEVICE RATING FOR SUVTPBXR2B6S/SUVTPBXR6B6S

Q7	250A	CB 3POLE 500V	SQUARE-D BY SCHNEIDER ELECTRIC	KHL3625025DC1386	1-SHUNT TRIP (24VDC) 1-AUX. SWITCH
----	------	---------------	--------------------------------	------------------	------------------------------------

**NOTES:**

- INSTALLATION SHALL COMPLY WITH ALL APPLICABLE LOCAL AND NATIONAL CODES.
  - PLEASE REFER TO PRODUCT DOCUMENTATION FOR ADDITIONAL DETAILS.
  - DRAWING DEPICTS POWER SYSTEM CONNECTIONS AND IS NOT REPRESENTATIVE OF PHYSICAL LAYOUT, PLEASE REFER TO MECHANICAL DRAWINGS FOR PHYSICAL LAYOUT.
  - ALL AC BREAKERS ARE 80% CONTINUOUS DUTY RATED WITH 2A/2B AUX CONTACTS FOR APC CONTROL AND COORDINATED WITH REQUIRED SYSTEM SETTINGS AS DETAILED IN PRODUCT DOCUMENTATION. ADDITIONAL 2A/2B AUX CONTACTS TO BE WIRED TO TERMINAL STRIP FOR CUSTOMER USE. BREAKER SIZING IS BASED ON NOMINAL MAINS VOLTAGE.
- △5. AC SOURCE TO BE 208VAC, 4W, 3Ø (CONTACT Schneider Electric IF OTHER)
- △6. AC CABLING TO BE 600V RATED, 3Ø, 4W+GND.
7. DC SOURCE TO BE 384VDC WITH CENTER TAP, 3W+GND.
- △8. UP TO FOUR XR BATTERY ENCLOSURES CONNECTED TO THE UPS TO EXTEND BACKUP TIME.
9. CABLE LUGS ARE PROVIDED BY OTHERS.
- △10. REMOVABLE BUS LINK. TO BE REMOVED FOR DUAL MAINS.
11. UPS INPUT AND OUTPUT CABLES SHOULD BE SEGREGATED.
12. POWER WIRING AND CONTROL WIRING SHOULD BE SEGREGATED.
- △13. TO BE REMOVED FOR PARALLEL INSTALLATION.
14. SINGLE MODULE, FOR LINEUP CONFIGURATION ONLY.

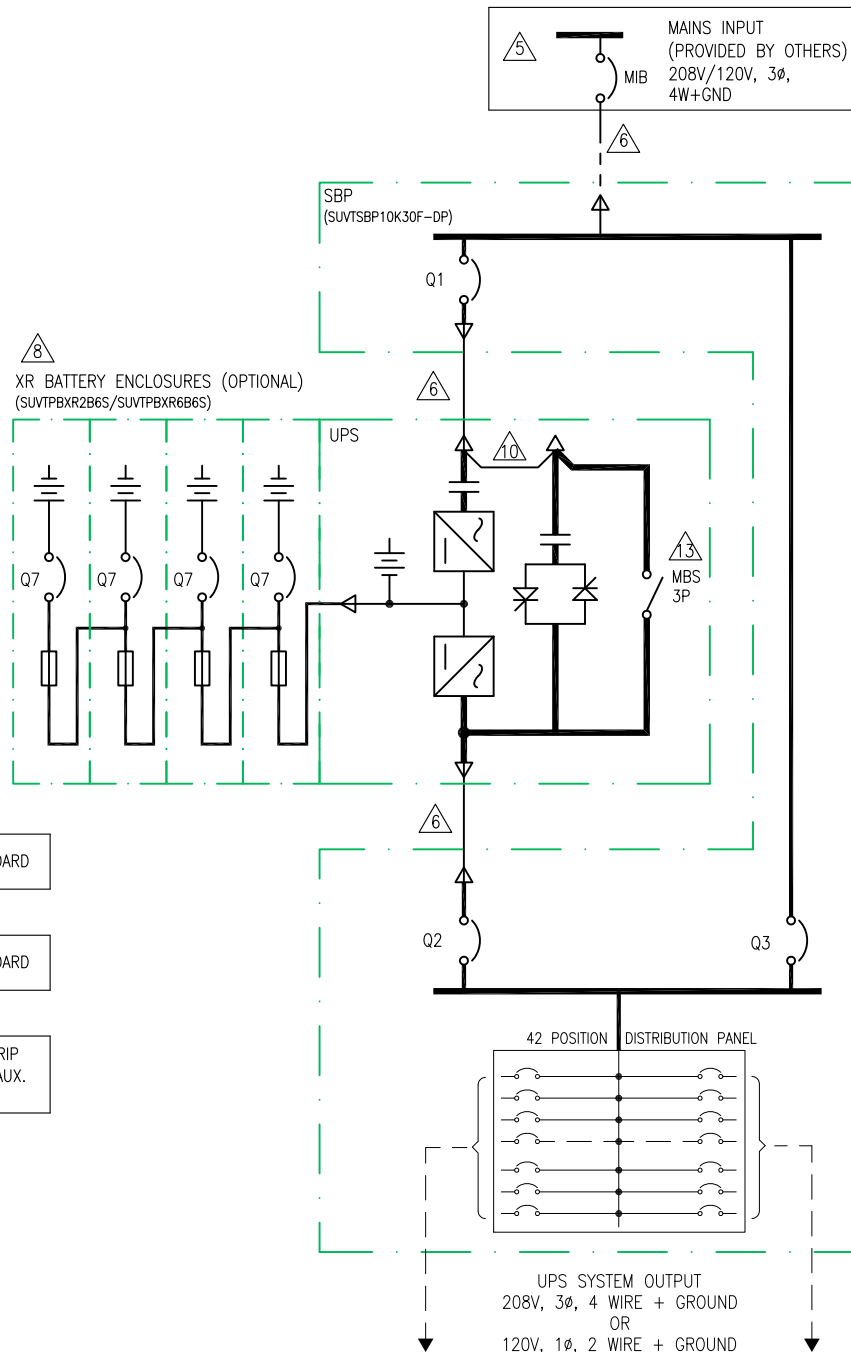
THIS DRAWING AND SPECIFICATIONS HEREIN ARE THE PROPERTY OF SCHNEIDER ELECTRIC AND SHALL NOT BE COPIED, REPRODUCED OR USED IN WHOLE OR IN PART, AS THE BASIS FOR THE MANUFACTURE OR SALE OF ITEMS WITHOUT WRITTEN PERMISSION FROM SCHNEIDER ELECTRIC. THIS DRAWING IS BASED UPON LATEST AVAILABLE INFORMATION AND IS SUBJECT TO CHANGE WITHOUT NOTICE.



TITLE: SMART-UPS VT  
 INPUT: 208V 3PH, SINGLE MAINS  
 OUTPUT: 208V 3PH  
 10-30kVA 1MOD WITH SBP w/DISTRIBUTION SYSTEM SINGLE-LINE DIAGRAM  
 PROJECT: SUBMITTAL DRAWINGS SHEET 2 OF 3

DWG NO: SUVTPSBP10K30F1C1-DP-SD  
 DRAWN: S CUNHA 10APR2015  
 ENGINEER: M MAISSY 10APR2015  
 APPROVED: D LOEWENSTEIN 10APR2015

REV. 0  
 PROJ N/A



## SMART-UPS VT® 10K to 30K UPS Frame (1 Module) Site Planning Data - SBP Cabinets

Battery - Nominal Voltage : +/-192V DC

Input Voltage: 208V AC, Output Voltage : 208V AC

UPS Rating	SKU Number	System Input @ 208V AC			Nominal System Bypass Current 208V AC (A)	System Output		Battery Current(A) (in UPS Cabinet)	Recommended Over current Protection Device Rating (MIB)
		Nominal Current (A) (Normal Operation)	Maximum Current (A) (Normal Operation)	Nominal Current (A) (Bypass Operation)		System output Power	Nominal Current(A)		
10kVA/8kW	SUVTP10KF1B2S	24.3	26.7	27.8	27.8	10kVA/8kW	27.8	27.5	35
	SUVTP10KF2B2S								
	SUVTP10KF1B4S								
	SUVTP10KF2B4S								
	SUVTP10KF3B4S								
SUVTP10KF4B4S									
15kVA/12kW	SUVTP15KF2B2S	36.5	40.2	41.6	41.6	15kVA/12kW	41.6	41.2	60
	SUVTP15KF2B4S								
	SUVTP15KF3B4S								
	SUVTP15KF4B4S								
20kVA/16kW	SUVTP20KF2B2S	48.5	53.4	55.5	55.5	20kVA/16kW	55.5	55	80
	SUVTP20KF2B4S								
	SUVTP20KF3B4S								
	SUVTP20KF4B4S								
30kVA/24kW	SUVTP30KF3B4S	73	80.3	83.3	83.3	30kVA/24kW	83.3	82.5	125
	SUVTP30KF4B4S								

### Notes.

1. Nominal Input current based on nominal mains voltage + batteries fully charged at 100% ohmic load.
2. Maximum Input current based on fully battery recharge + nominal mains voltage at 100% ohmic load.
3. Suggested input overcurrent protection based on continuous full load.
4. Nominal battery voltage assumed to be 2.0 volts/ cell (lead acid technology)

THIS DRAWING AND SPECIFICATIONS HEREIN ARE THE PROPERTY OF SCHNEIDER ELECTRIC AND SHALL NOT BE COPIED, REPRODUCED OR USED IN WHOLE OR IN PART, AS THE BASIS FOR THE MANUFACTURE OR SALE OF ITEMS WITHOUT WRITTEN PERMISSION FROM SCHNEIDER ELECTRIC. THIS DRAWING IS BASED UPON LATEST AVAILABLE INFORMATION AND IS SUBJECT TO CHANGE WITHOUT NOTICE.



TITLE: SMART-UPS VT  
INPUT: 208V 3PH, SINGLE MAINS  
OUTPUT: 208V 3PH  
10-30kVA 1MOD WITH SBP  
SITE PLANNING DATA

DWG NO: SUVTSBP10K30F1C1-DP-SD REV. 0

DRAWN: S CUNHA 10APR2015 PROJ

ENGINEER: M MAISSY 10APR2015 ANGLE

APPROVED: D LOEWENSTEIN 10APR2015 N/A

PROJECT: SUBMITTAL DRAWINGS SHEET 3 OF 3