

**NOTES:**

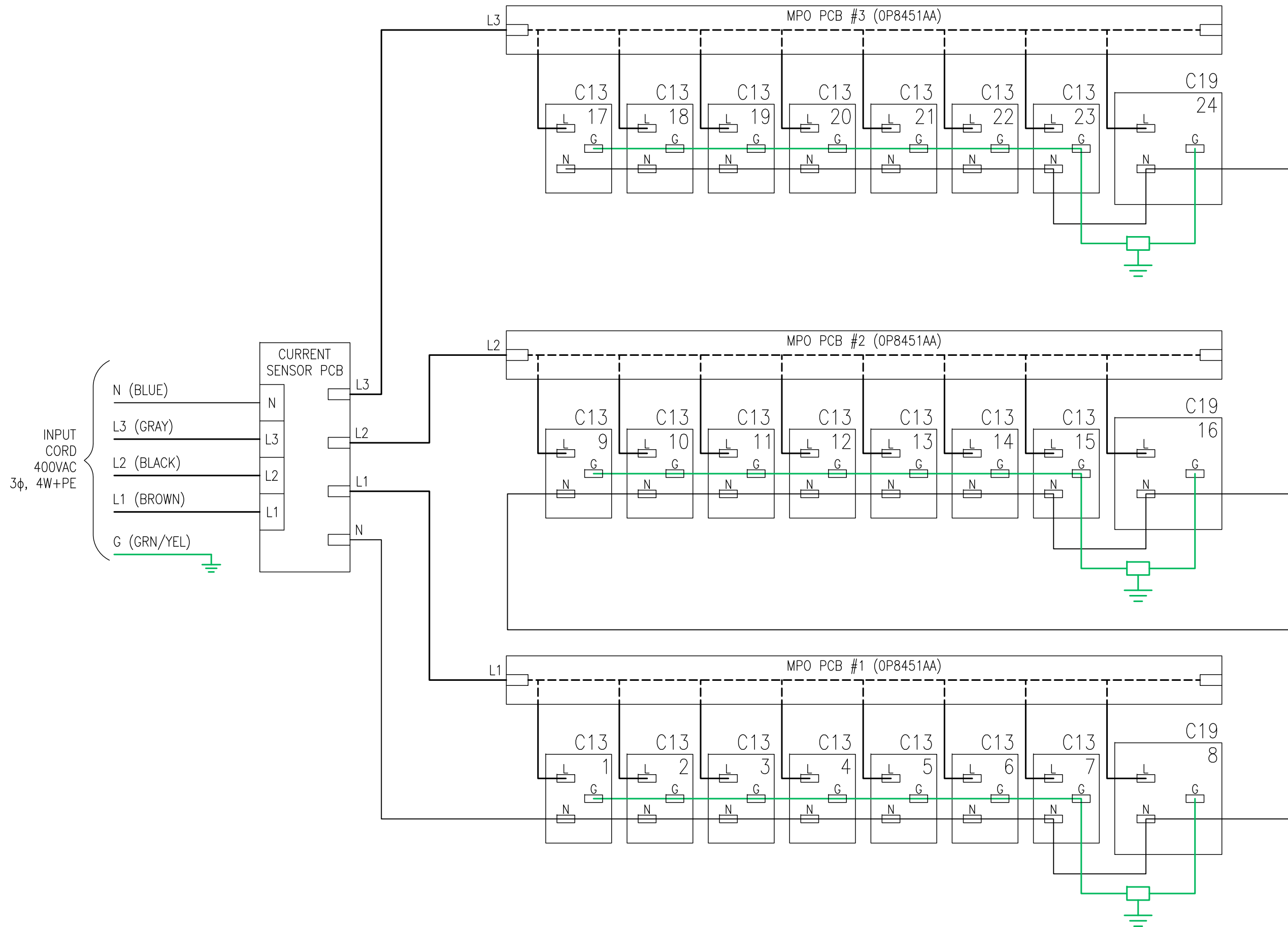
1. INSTALLATION SHALL COMPLY WITH ALL APPLICABLE NATIONAL, STATE AND LOCAL CODES.
2. PLEASE REFER TO PRODUCT DOCUMENTATION FOR FURTHER INFORMATION.
3. UNLESS OTHERWISE SPECIFIED, ALL DIMENSIONS ARE IN INCHES [MILLIMETERS].
4. NET WEIGHT OF UNIT IS 18.10LBS [8.21KG].
5. LENGTH OF THE CORD IS 72.00IN [1829MM].
6. UNIVERSAL MOUNTING BRACKET IS AN ALTERNATIVE MOUNTING METHOD TO THE TOOLLESS MOUNT FOR 3RD PARTY ENCLOSURES. BRACKET IS PROVIDED WITH THE UNIT. DETAILED INSTALLATION INSTRUCTIONS CAN BE FOUND IN THE PROVIDED MANUAL.
7. BRACKET KITS TO MOUNT TO SPECIFIC 3RD PARTY ENCLOSURES ARE AVAILABLE AS OPTIONS.
- △ 8. REFER TO WARNING LABEL ON REAR OF UNIT FOR SCREW MOUNTING.

THIS DRAWING AND SPECIFICATIONS HEREIN ARE THE PROPERTY OF SCHNEIDER ELECTRIC AND SHALL NOT BE COPIED, REPRODUCED OR USED IN WHOLE OR IN PART, AS THE BASIS FOR THE MANUFACTURE OR SALE OF ITEMS WITHOUT WRITTEN PERMISSION FROM SCHNEIDER ELECTRIC. THIS DRAWING IS BASED UPON LATEST AVAILABLE INFORMATION AND IS SUBJECT TO CHANGE WITHOUT NOTICE.



TITLE: RACK PDU 2G, METERED-BY-OUTLET  
 ZERO U, 11.0KW, 230V  
 INPUT: IEC 309 16A 3P+N+PE, IEC 309 20A 3P+N+PE  
 OUTPUT: (2)IEC 320 C13, (3)IEC 320 C19  
 MAIN MECHANICAL  
 PROJECT: STD SUBMITTAL DRAWING SHEET 1 OF 2

DWG NO:	<b>AP8481</b>		REV	<b>0</b>
DRAWN BY:	S CUNHA	18-SEP-14	THIRD	ANGLE
ENGINEER:	M FIACCO	18-SEP-14	PROJ	
APPROVED BY:	B DUNCAN	18-SEP-14		



**NOTES:**

1. INSTALLATION SHALL COMPLY WITH ALL APPLICABLE NATIONAL, STATE AND LOCAL CODES.
2. PLEASE REFER TO PRODUCT DOCUMENTATION FOR FURTHER INFORMATION.
3. DRAWING DEPICTS POWER SYSTEM CONNECTIONS AND IS NOT REPRESENTATIVE OF PHYSICAL LAYOUT. PLEASE REFER TO MECHANICAL DRAWINGS FOR MORE SPECIFIC PHYSICAL DATA.

THIS DRAWING AND SPECIFICATIONS HEREIN ARE THE PROPERTY OF SCHNEIDER ELECTRIC AND SHALL NOT BE COPIED, REPRODUCED OR USED IN WHOLE OR IN PART, AS THE BASIS FOR THE MANUFACTURE OR SALE OF ITEMS WITHOUT WRITTEN PERMISSION FROM SCHNEIDER ELECTRIC. THIS DRAWING IS BASED UPON LATEST AVAILABLE INFORMATION AND IS SUBJECT TO CHANGE WITHOUT NOTICE.



TITLE: RACK PDU 2G, METERED-BY-OUTLET  
 ZERO U, 11.0kW, 230V  
 INPUT: IEC 309 16A 3P+N+PE, IEC 309 20A 3P+N+PE  
 OUTPUT: (2)IEC 320 C13, (3)IEC 320 C19  
 ELECTRICAL SCHEMATIC  
 PROJECT: STD SUBMITTAL DRAWING SHEET 2 OF 2

DWG NO:	<b>AP8481</b>		REV	<b>0</b>
DRAWN BY:	S CUNHA	18-SEP-14	PROJ	ANGLE
ENGINEER:	M FIACCO	18-SEP-14		N/A
APPROVED BY:	B DUNCAN	18-SEP-14		