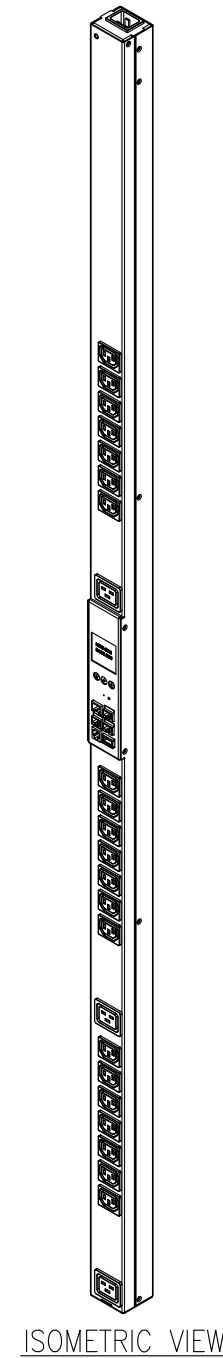


DETAIL A

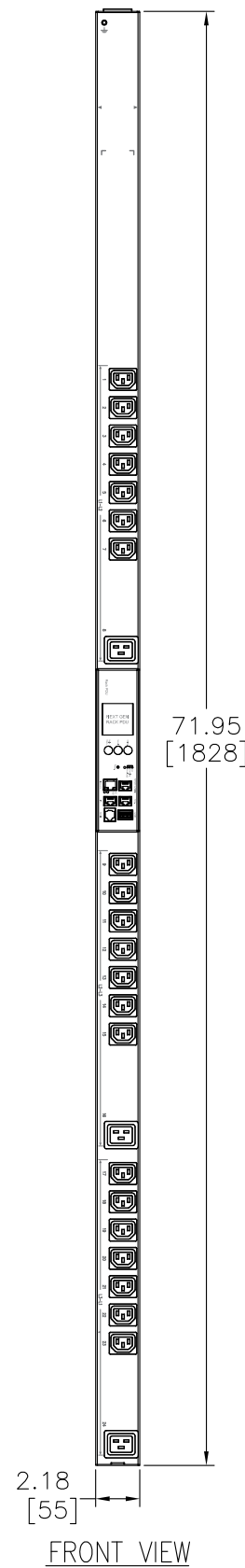
NOTES:

1. INSTALLATION SHALL COMPLY WITH ALL APPLICABLE NATIONAL, STATE AND LOCAL CODES.
2. PLEASE REFER TO PRODUCT DOCUMENTATION FOR FURTHER INFORMATION.
3. UNLESS OTHERWISE SPECIFIED, ALL DIMENSIONS ARE IN INCHES [MILLIMETERS].
4. NET WEIGHT OF UNIT IS 13.40LBS [6.08kg].
5. ADDITIONAL INPUT CORD 118.00 IN [2997 MM], LOCKING IEC-C19 TO IEC309-16A) IS SUPPLIED WITH THE UNIT.
6. UNIVERSAL MOUNTING BRACKET IS AN ALTERNATIVE MOUNTING METHOD TO THE TOOLLESS MOUNT FOR 3RD PARTY ENCLOSURES. BRACKET IS PROVIDED WITH THE UNIT. DETAILED INSTALLATION INSTRUCTIONS CAN BE FOUND IN THE PROVIDED MANUAL.
7. BRACKET KITS TO MOUNT TO SPECIFIC 3RD PARTY ENCLOSURES ARE AVAILABLE AS OPTIONS.
- △ 8. REFER TO WARNING LABEL ON REAR OF UNIT FOR SCREW MOUNTING.

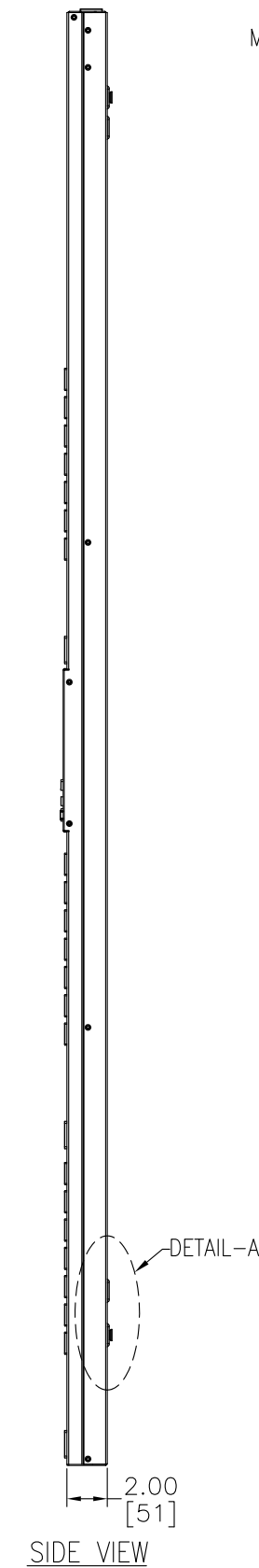
TOP VIEW



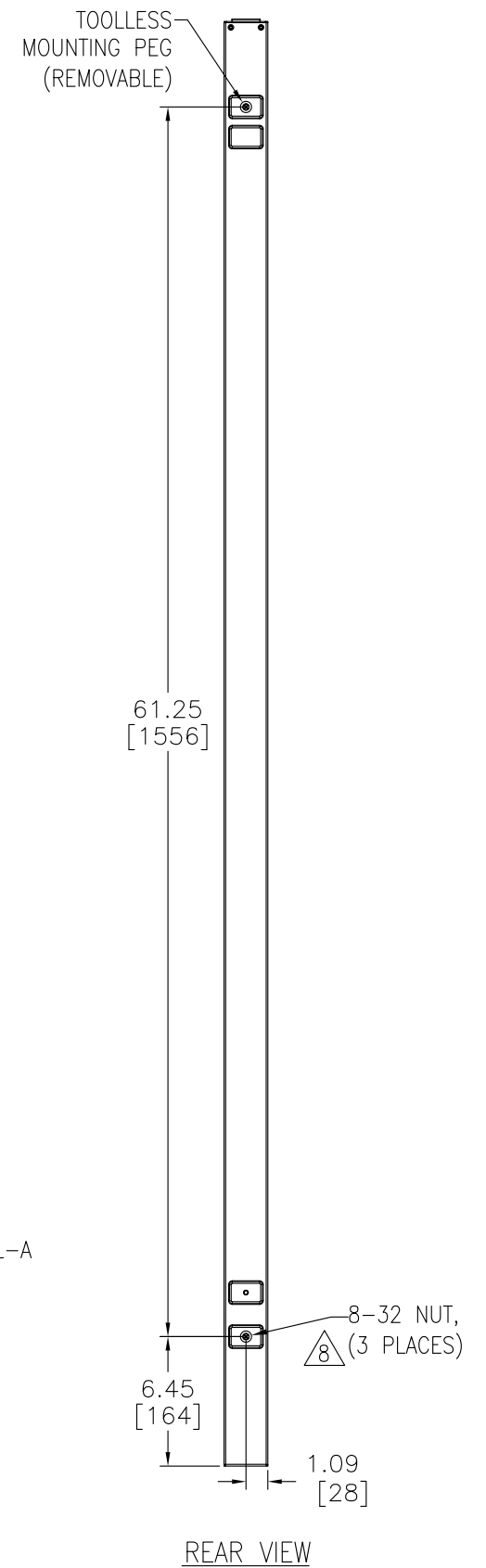
ISOMETRIC VIEW



FRONT VIEW



SIDE VIEW



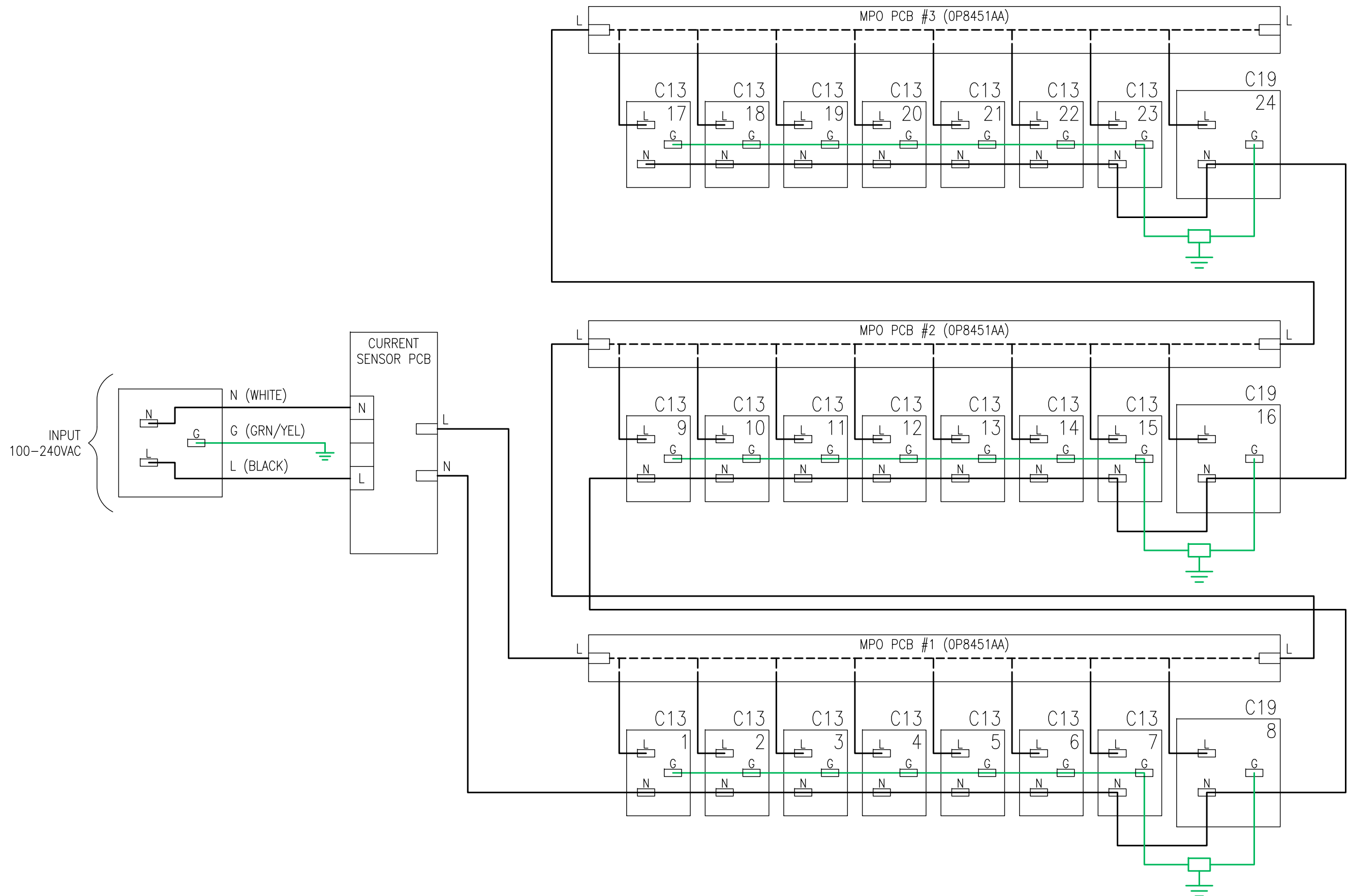
REAR VIEW

THIS DRAWING AND SPECIFICATIONS HEREIN ARE THE PROPERTY OF SCHNEIDER ELECTRIC AND SHALL NOT BE COPIED, REPRODUCED OR USED IN WHOLE OR IN PART, AS THE BASIS FOR THE MANUFACTURE OR SALE OF ITEMS WITHOUT WRITTEN PERMISSION FROM SCHNEIDER ELECTRIC. THIS DRAWING IS BASED UPON LATEST AVAILABLE INFORMATION AND IS SUBJECT TO CHANGE WITHOUT NOTICE.



TITLE: RACK PDU 2G, METERED-BY-OUTLET
 ZERO U, 16A, 230V
 INPUT: IEC 309, 16A, 2P+E
 OUTPUT: (2)IEC 320 C13, (3)IEC 320 C19
 MAIN MECHANICAL
 PROJECT: STD SUBMITTAL DRAWING SHEET 1 OF 2

| | | | | |
|--------------|------------------|-----------|------------------|----------|
| DWG NO: | AP8459EU3 | | REV | 0 |
| DRAWN BY: | S CUNHA | 18-SEP-14 | THIRD ANGLE PROJ | |
| ENGINEER: | M FIACCO | 18-SEP-14 | | |
| APPROVED BY: | B DUNCAN | 18-SEP-14 | | |



NOTES:

1. INSTALLATION SHALL COMPLY WITH ALL APPLICABLE NATIONAL, STATE AND LOCAL CODES.
2. PLEASE REFER TO PRODUCT DOCUMENTATION FOR FURTHER INFORMATION.
3. DRAWING DEPICTS POWER SYSTEM CONNECTIONS AND IS NOT REPRESENTATIVE OF PHYSICAL LAYOUT. PLEASE REFER TO MECHANICAL DRAWINGS FOR MORE SPECIFIC PHYSICAL DATA.

THIS DRAWING AND SPECIFICATIONS HEREIN ARE THE PROPERTY OF SCHNEIDER ELECTRIC AND SHALL NOT BE COPIED, REPRODUCED OR USED IN WHOLE OR IN PART, AS THE BASIS FOR THE MANUFACTURE OR SALE OF ITEMS WITHOUT WRITTEN PERMISSION FROM SCHNEIDER ELECTRIC. THIS DRAWING IS BASED UPON LATEST AVAILABLE INFORMATION AND IS SUBJECT TO CHANGE WITHOUT NOTICE.



TITLE: RACK PDU 2G, METERED-BY-OUTLET
 ZERO U, 16A, 230V
 INPUT: IEC 309, 16A, 2P+E
 OUTPUT: (2)IEC 320 C13, (3)IEC 320 C19
 ELECTRICAL SCHEMATIC
 PROJECT: STD SUBMITTAL DRAWING SHEET 2 OF 2

DWG NO: **AP8459EU3**
 DRAWN BY: S CUNHA 18-SEP-14
 ENGINEER: M FIACCO 18-SEP-14
 APPROVED BY: B DUNCAN 18-SEP-14

REV 0
 PROJ ANGLE N/A