

NOTES:

- INSTALLATION SHALL COMPLY WITH ALL APPLICABLE NATIONAL, STATE AND LOCAL CODES.
- PLEASE REFER TO PRODUCT DOCUMENTATION FOR FURTHER INFORMATION.
- ALL DIMENSIONS ARE IN INCHES [MILLIMETERS].
- WEIGHT OF BRACKETS:
 - 300mm FRONT BRACKET IS 2.43 LBS [1.10 KG].
 - 300mm REAR BRACKET IS 2.09 LBS [0.95 KG].
 - 300mm LATCH BRACKET IS 1.87 LBS. [0.85 KG].
 - 600mm FRONT BRACKET IS 5.95 LBS [2.70 KG].
 - 600mm REAR BRACKET IS 5.07 LBS [2.30 KG].
 - 600mm LATCH BRACKET IS 5.07 LBS [2.30 KG].
 - 750mm FRONT BRACKET IS 7.50 LBS [3.40 KG].
 - 750mm REAR BRACKET IS 6.61 LBS [3.00 KG].
 - 750mm LATCH BRACKET IS 6.17 LBS [2.80 KG].
- THE REAR BRACKET CAN BE BOLTED TO THE GROUND WITHOUT THE LATCH IF THE SYSTEM IS ACCESSIBLE FROM THE REAR.
- IF THE SYSTEM IS INSTALLED AGAINST THE WALL RECOMMENDED CLEARANCE FROM THE REAR DOORS TO THE REAR WALL IS 50mm TO ACCOMMODATE THE LATCH/BRACKET.
- BRACKETS MUST BE ANCHORED TO THE FLOOR WITH 1/2" GRADE 4, OR M12 8.8 HARDWARE. FLOOR MOUNTING HARDWARE NOT PROVIDED.
- ALL HOLES MUST BE POPULATED. IF REAR LATCH IS USED ONLY HOLES IN THE REAR LATCH MUST BE POPULATED.
- SEISMIC QUALIFICATION OF NON-STRUCTURAL COMPONENT BY SCHNEIDER ELECTRIC IS JUST ONE LINK IN THE TOTAL CHAIN OF RESPONSIBILITY REQUIRED TO MAXIMIZE THE PROBABILITY THAT THE EQUIPMENT WILL BE INTACT AND FUNCTIONAL AFTER A SEISMIC EVENT. DURING A SEISMIC EVENT THE EQUIPMENT MUST BE ABLE TO TRANSFER THE LOADS THAT ARE CREATED THROUGH THE MOUNTING AND ANCHORAGE TO THE LOAD-BEARING PATH OF THE BUILDING STRUCTURAL SYSTEM. ANCHORAGE OF THE EQUIPMENT TO THE PRIMARY BUILDING STRUCTURE IS REQUIRED TO VALIDATE THE SEISMIC CERTIFICATION. THE STRUCTURAL ENGINEER OR DESIGN ENGINEER OF RECORD IS RESPONSIBLE FOR DETAILING THE EQUIPMENT ANCHORAGE REQUIREMENTS FOR THE GIVEN INSTALLATION. THE INSTALLER AND MANUFACTURERS OF THE ANCHORAGE SYSTEM ARE RESPONSIBLE FOR ASSURING THAT THE MOUNTING REQUIREMENTS ARE MET. SCHNEIDER ELECTRIC IS NOT RESPONSIBLE FOR THE SPECIFICATION AND PERFORMANCE OF THE ANCHORAGE SYSTEMS. ALL FLOOR MOUNTED BRACKETS ARE PROVIDED WITH HOLES FOR 1/2" DIAMETER HARDWARE. FLOOR MOUNTING HARDWARE ARE NOT PROVIDED.

SYMMETRA PX 250/500 FRAMES							
SEISMIC KIT SKU's	SYBFXR8 BATTERY FRAME	SYIOF500KMBR SYIOF500KMBL I/O FRAME WITH MBwD	SYIOF500KD I/O FRAME	SYPF250KD POWER FRAME	SYBBE BATTERY BREAKER ENCLOSURE	SYBSC BATTERY SIDECAR	SYBFF BOTTOM FEED FRAME
SYOPT300 SEISMIC KIT FOR 300mm SYMMETRA PX 250/500 FRAMES		X				X	X
SYOPT600 SEISMIC KIT FOR 600mm SYMMETRA PX 250/500 FRAMES		X	X	X	X		
SYOPT750 SEISMIC KIT FOR 750mm SYMMETRA PX 250/500 FRAMES	X						
AFFECTED UPS SKUs:							
SY100K250D SY100K250DR-PD SY125K250D SY125K250D-NB SY125K250DL-PD SY125K250DR-PD SY125K250DR-PDNB SY125K500D SY125K500D-NB		SY125K500DR-PD SY125K500DR-PDNB SY150K250D SY150K250DR-PD SY200K250D SY200K250DR-PD SY250K500D SY250K500DL-PD SY250K500DR-PD SY300K500D			SY300K500DR-PD SY400K500D SY400K500DR-PD SY500K500D SY500K500DL-PD SY500K500DR-PD		

THIS DRAWING AND SPECIFICATIONS HEREIN ARE THE PROPERTY OF SCHNEIDER ELECTRIC AND SHALL NOT BE COPIED, REPRODUCED OR USED IN WHOLE OR IN PART, AS THE BASIS FOR THE MANUFACTURE OR SALE OF ITEMS WITHOUT WRITTEN PERMISSION FROM SCHNEIDER ELECTRIC. THIS DRAWING IS BASED UPON LATEST AVAILABLE INFORMATION AND IS SUBJECT TO CHANGE WITHOUT NOTICE.



TITLE: SYMMETRA PX 250/500 SEISMIC ANCHORING GENERAL NOTES

PROJECT: STD SUBMITTAL DRAWINGS SHEET 1 OF 10

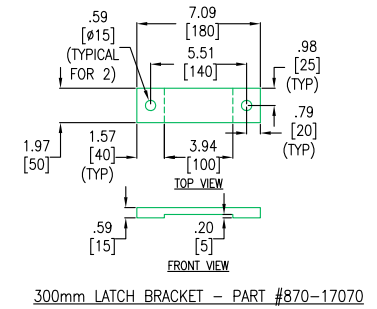
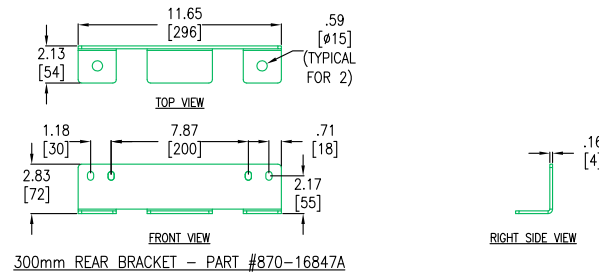
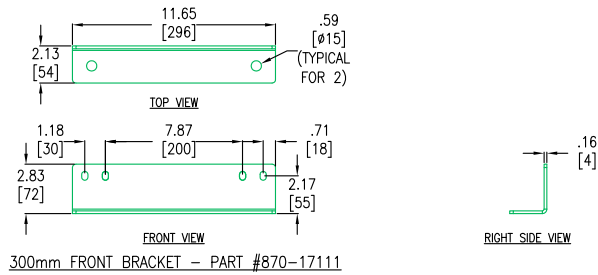
DWG NO: SYPX250/500SEISMIC REV. 1

DRAWN BY: S CUNHA 23-OCT-13

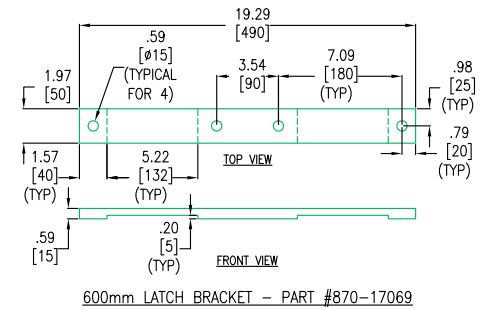
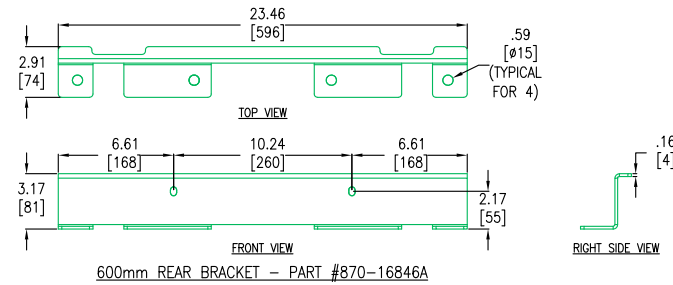
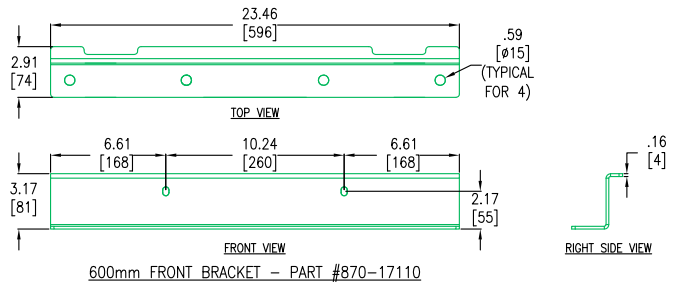
ENGINEER: K SILBERBAUER 23-OCT-13

APPROVED BY: M DESHPANDE 23-OCT-13

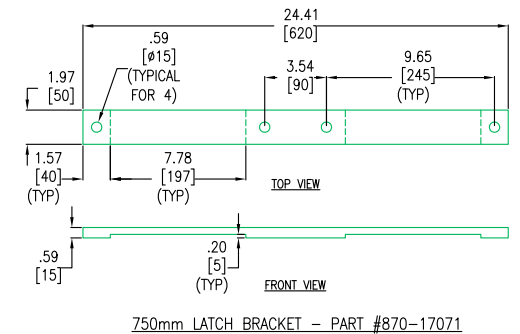
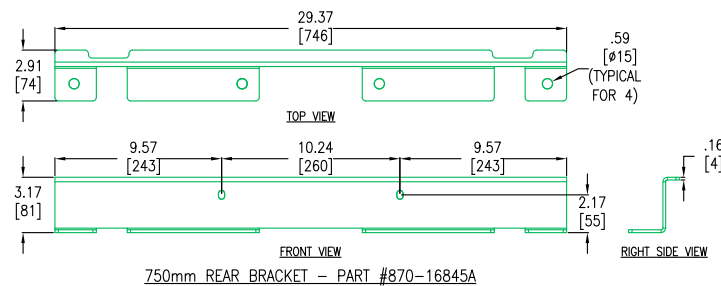
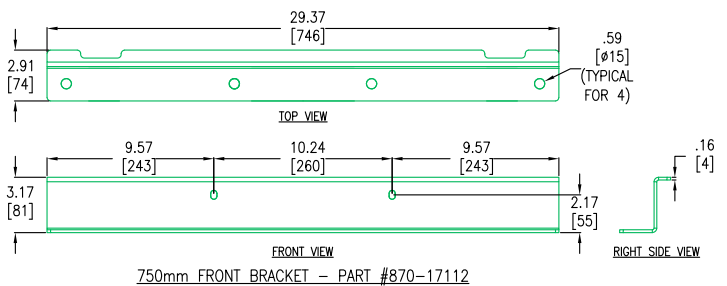
PROJ ANGLE N/A



SYOPT300 SEISMIC KIT
FOR 300mm SYMMETRA PX 250/500 FRAMES



SYOPT600 SEISMIC KIT
FOR 600mm SYMMETRA PX 250/500 FRAMES



SYOPT750 SEISMIC KIT
FOR 750mm SYMMETRA PX 250/500 FRAMES

NOTES:

1. INSTALLATION SHALL COMPLY WITH ALL APPLICABLE NATIONAL, STATE AND LOCAL CODES.
2. PLEASE REFER TO PRODUCT DOCUMENTATION FOR FURTHER INFORMATION.
3. ALL DIMENSIONS ARE IN INCHES [MILLIMETERS].

THIS DRAWING AND SPECIFICATIONS HEREIN ARE THE PROPERTY OF SCHNEIDER ELECTRIC AND SHALL NOT BE COPIED, REPRODUCED OR USED IN WHOLE OR IN PART, AS THE BASIS FOR THE MANUFACTURE OR SALE OF ITEMS WITHOUT WRITTEN PERMISSION FROM SCHNEIDER ELECTRIC. THIS DRAWING IS BASED UPON LATEST AVAILABLE INFORMATION AND IS SUBJECT TO CHANGE WITHOUT NOTICE.



TITLE: SYMMETRA PX 250/500 SEISMIC ANCHORING SEISMIC KIT DETAILS

DWG NO: SYPX250/500SEISMIC

REV: 0

DRAWN BY: S CUNHA 04-OCT-13

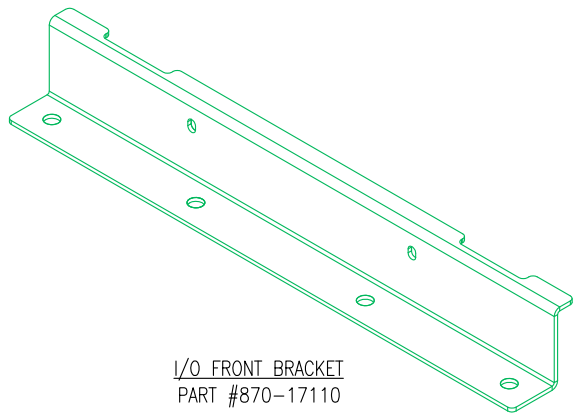
THIRD

ENGINEER: K SILBERBAUER 04-OCT-13

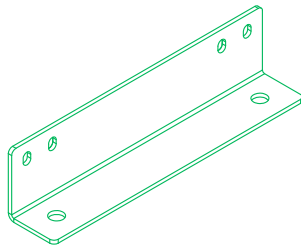
ANGLE

APPROVED BY: M DESHPANDE 04-OCT-13

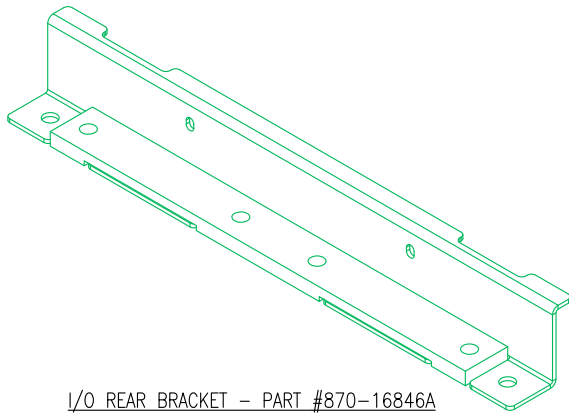
PROJ



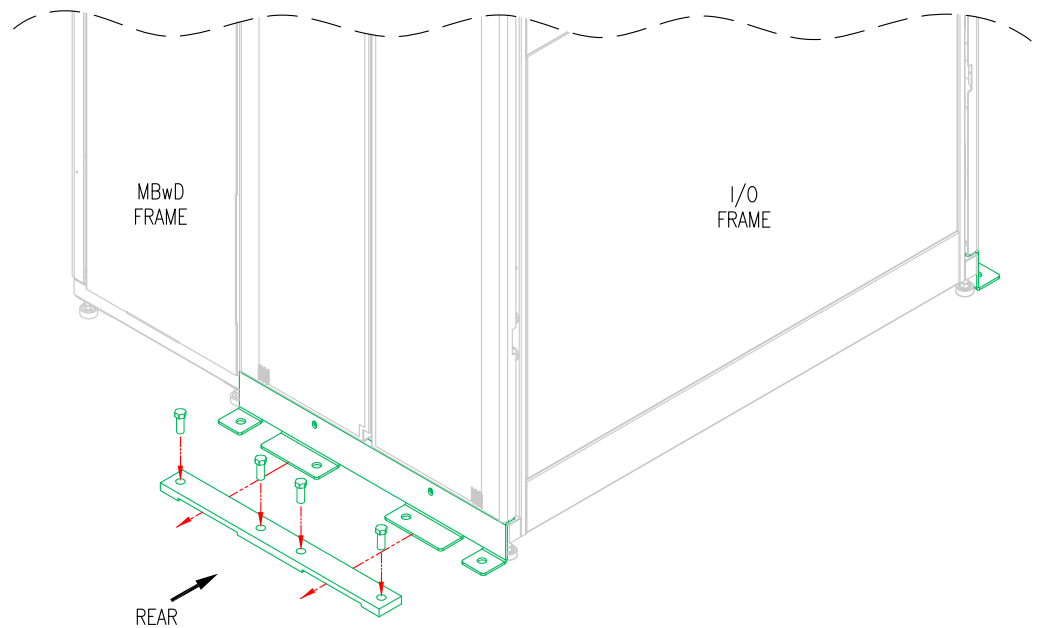
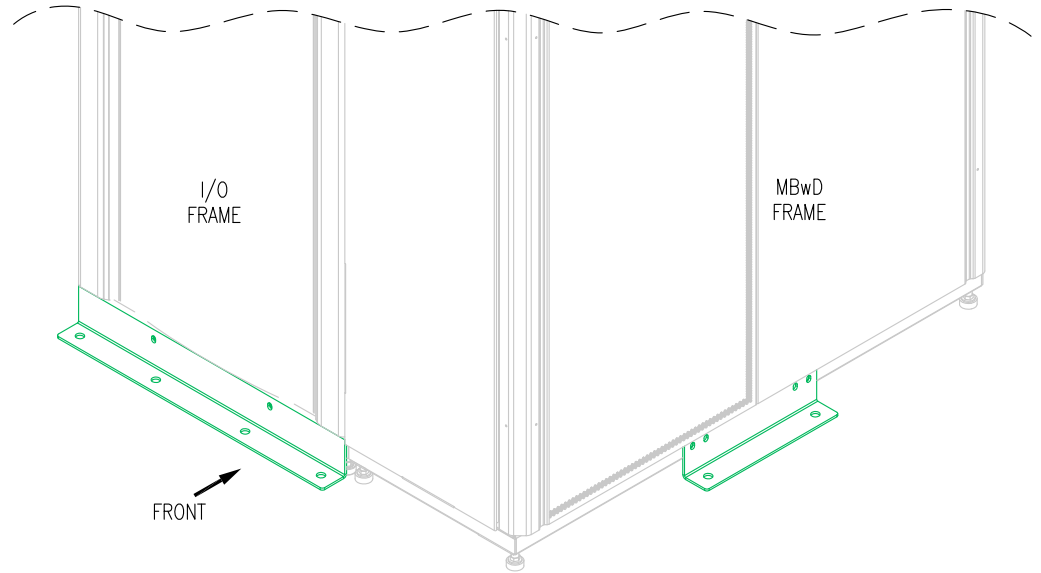
I/O FRONT BRACKET
PART #870-17110



MBwD BRACKET
PART #870-17111



I/O REAR BRACKET - PART #870-16846A
w/ LATCH BRACKET - PART #870-17069



NOTES:

1. INSTALLATION SHALL COMPLY WITH ALL APPLICABLE NATIONAL, STATE AND LOCAL CODES.
2. PLEASE REFER TO PRODUCT DOCUMENTATION FOR FURTHER INFORMATION.
3. LEFT MOUNTED MBwD INSTALLATION IS OPPOSITE BUT IDENTICAL TO RIGHT MOUNTED MBwD.

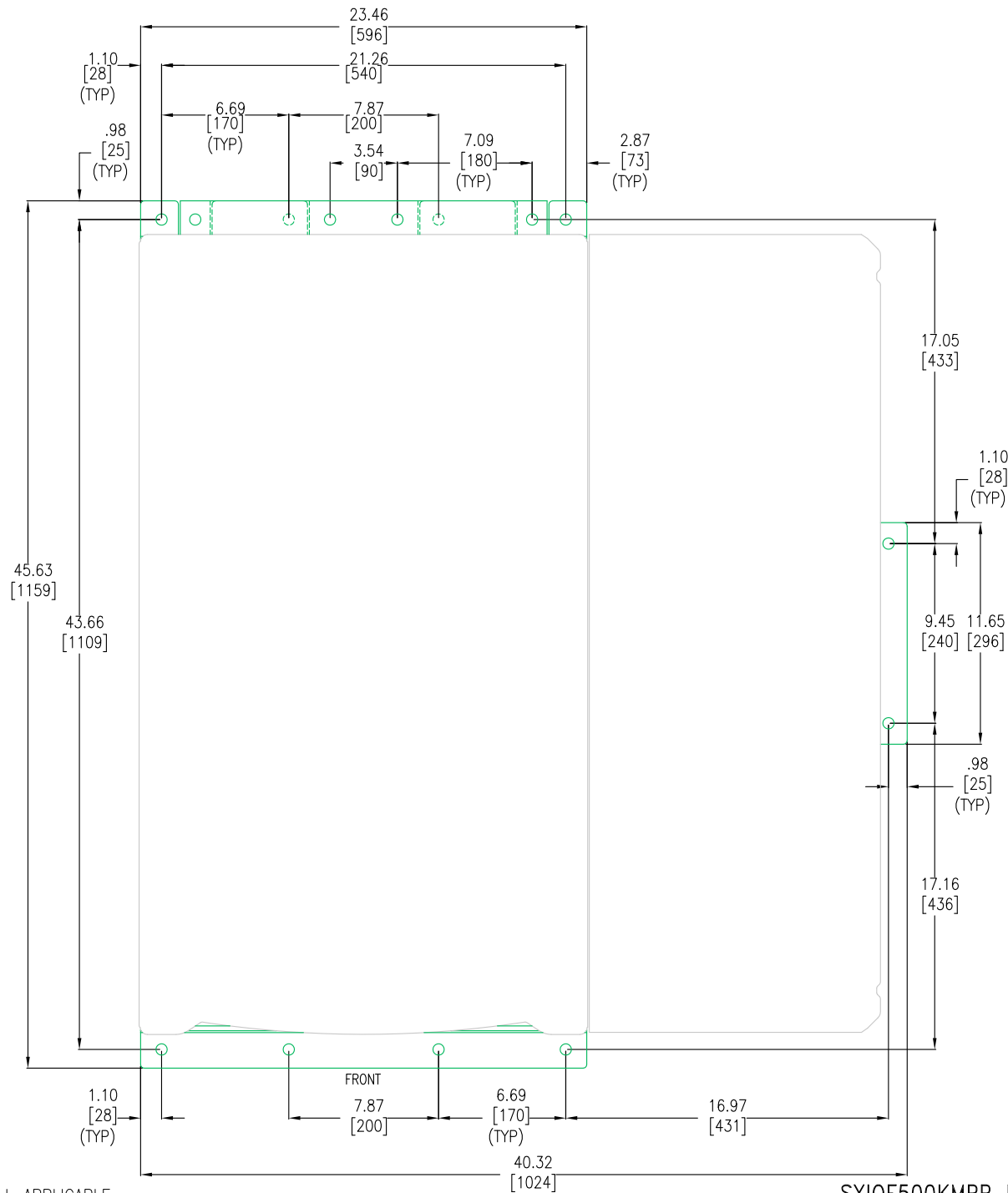
SYIOF500KMBR I/O FRAME + MBwD INSTALLATION VIEW

THIS DRAWING AND SPECIFICATIONS HEREIN ARE THE PROPERTY OF SCHNEIDER ELECTRIC AND SHALL NOT BE COPIED, REPRODUCED OR USED IN WHOLE OR IN PART, AS THE BASIS FOR THE MANUFACTURE OR SALE OF ITEMS WITHOUT WRITTEN PERMISSION FROM SCHNEIDER ELECTRIC. THIS DRAWING IS BASED UPON LATEST AVAILABLE INFORMATION AND IS SUBJECT TO CHANGE WITHOUT NOTICE.



TITLE:
SYMMETRA PX 250/500kW
SEISMIC ANCHORING
I/O FRAME + MBwD & SYIOF500KMBR + MBwD
INSTALLATION VIEWS
PROJECT: STD SUBMITTAL DRAWINGS SHEET 3 OF 10

DWG NO:	SYPX250/500SEISMIC	REV:	0
DRAWN BY:	S CUNHA	DATE:	04-OCT-13
ENGINEER:	K SILBERBAUER	DATE:	04-OCT-13
APPROVED BY:	M DESHPANDE	DATE:	04-OCT-13
		VIEW:	THIRD ANGLE PROJ



NOTES:

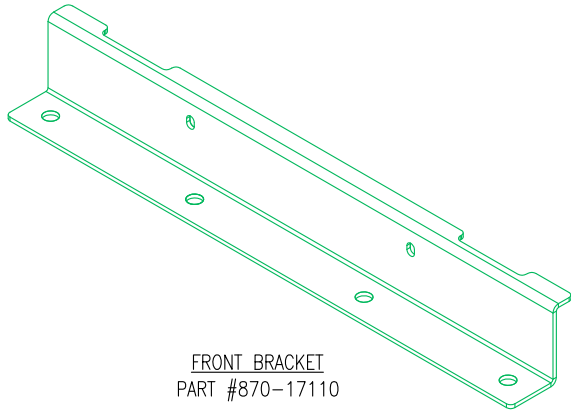
1. INSTALLATION SHALL COMPLY WITH ALL APPLICABLE NATIONAL, STATE AND LOCAL CODES.
2. PLEASE REFER TO PRODUCT DOCUMENTATION FOR FURTHER INFORMATION.
3. ALL DIMENSIONS ARE IN INCHES [MILLIMETERS].

THIS DRAWING AND SPECIFICATIONS HEREIN ARE THE PROPERTY OF SCHNEIDER ELECTRIC AND SHALL NOT BE COPIED, REPRODUCED OR USED IN WHOLE OR IN PART, AS THE BASIS FOR THE MANUFACTURE OR SALE OF ITEMS WITHOUT WRITTEN PERMISSION FROM SCHNEIDER ELECTRIC. THIS DRAWING IS BASED UPON LATEST AVAILABLE INFORMATION AND IS SUBJECT TO CHANGE WITHOUT NOTICE.

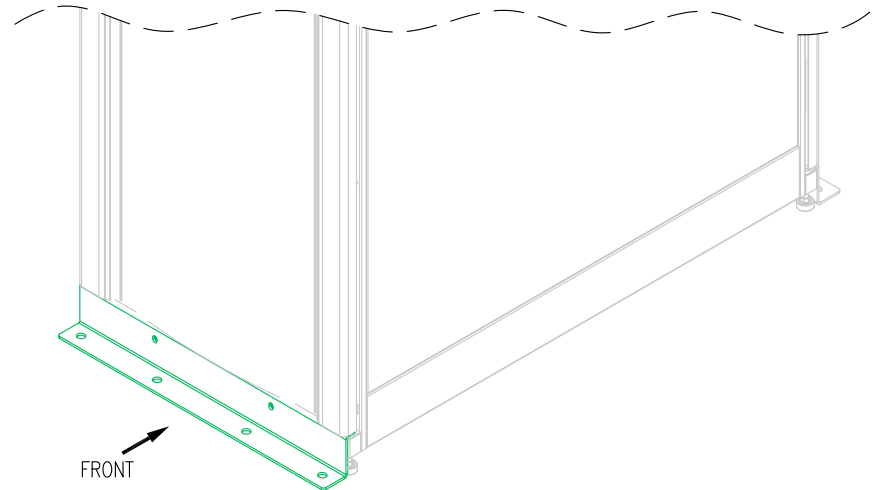


SYIOF500KMBR I/O FRAME + MBwD PLAN VIEW

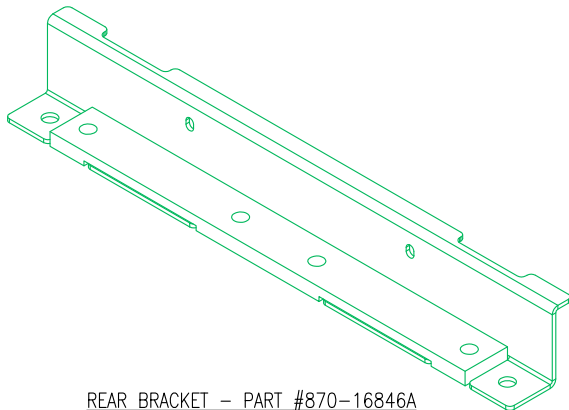
TITLE: SYMMETRA PX 250/500kW SEISMIC ANCHORING I/O FRAME + MBwD & SYIOF500KMBR + MBwD PLAN VIEW		DWG NO: SYPX250/500SEISMIC		REV. 0
DRAWN BY: S CUNHA		04-OCT-13	THIRD	
ENGINEER: K SILBERBAUER		04-OCT-13	ANGLE	
APPROVED BY: M DESHPANDE		04-OCT-13	PROJ	
PROJECT: STD SUBMITTAL DRAWINGS		SHEET 4 OF 10		



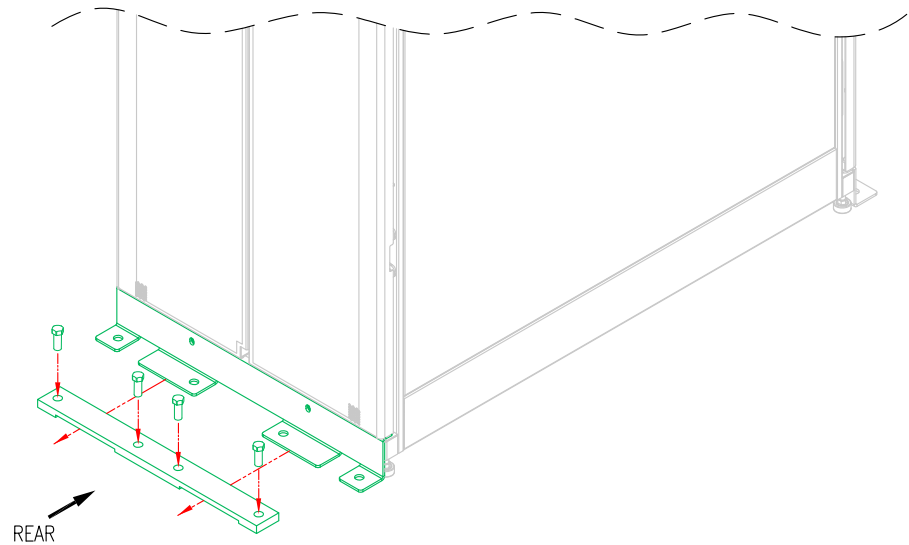
FRONT BRACKET
PART #870-17110



FRONT



REAR BRACKET - PART #870-16846A
w/ LATCH BRACKET - PART #870-17069



REAR

NOTES:

1. INSTALLATION SHALL COMPLY WITH ALL APPLICABLE NATIONAL, STATE AND LOCAL CODES.
2. PLEASE REFER TO PRODUCT DOCUMENTATION FOR FURTHER INFORMATION.

SYPF250KD/500KD POWER FRAME or SYBBE BATTERY BREAKER ENCLOSURE INSTALLATION VIEW

THIS DRAWING AND SPECIFICATIONS HEREIN ARE THE PROPERTY OF SCHNEIDER ELECTRIC AND SHALL NOT BE COPIED, REPRODUCED OR USED IN WHOLE OR IN PART, AS THE BASIS FOR THE MANUFACTURE OR SALE OF ITEMS WITHOUT WRITTEN PERMISSION FROM SCHNEIDER ELECTRIC. THIS DRAWING IS BASED UPON LATEST AVAILABLE INFORMATION AND IS SUBJECT TO CHANGE WITHOUT NOTICE.



TITLE: SYMMETRA PX 250/500kW
SEISMIC ANCHORING
POWER FRAME or BATTERY BREAKER ENCLOSURE
SYPF250KD/500KD or SYBBE
INSTALLATION VIEWS

DWG NO: SYPX250/500SEISMIC

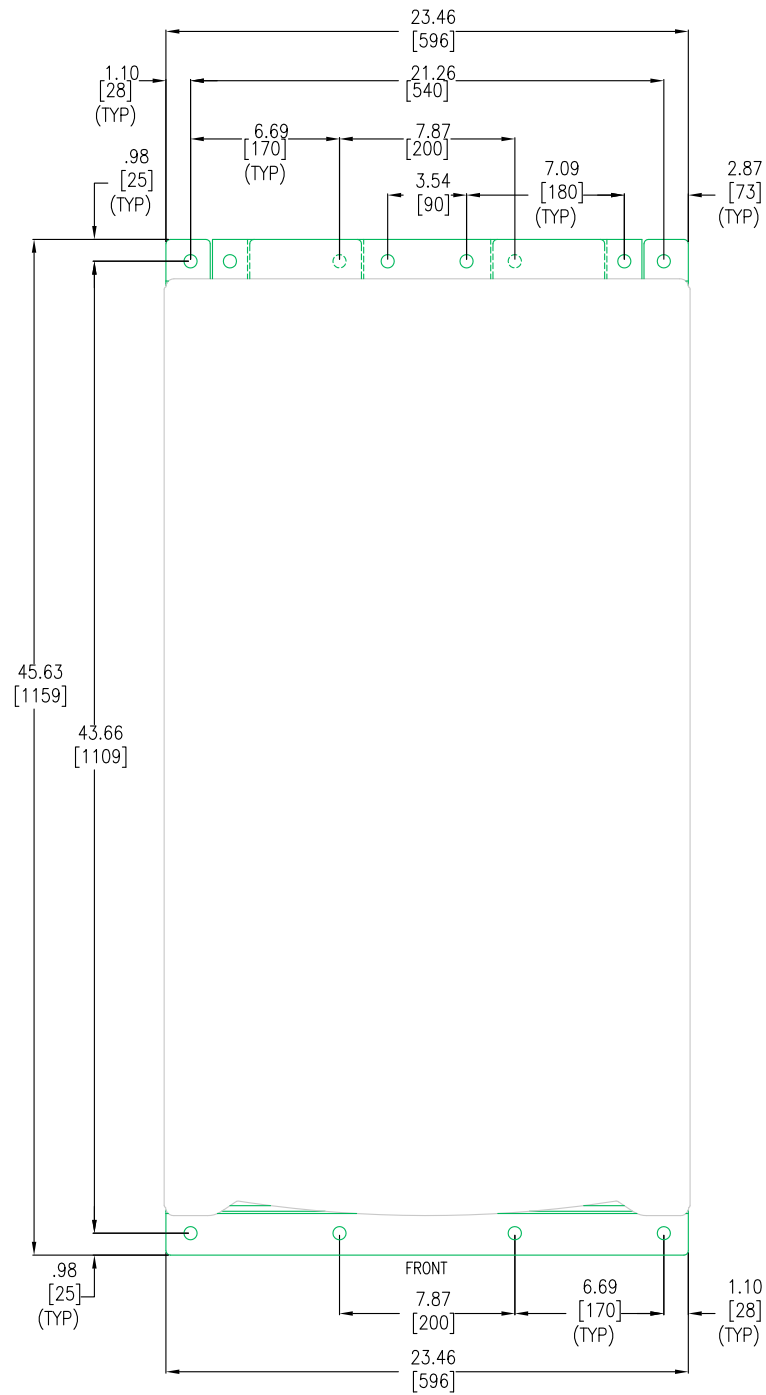
REV. 0

DRAWN BY: S CUNHA 04-OCT-13
ENGINEER: K SILBERBAUER 04-OCT-13

THIRD
ANGLE
PROJ

PROJECT: STD SUBMITTAL DRAWINGS SHEET 5 OF 10

APPROVED BY: M DESHPANDE 04-OCT-13



NOTES:

1. INSTALLATION SHALL COMPLY WITH ALL APPLICABLE NATIONAL, STATE AND LOCAL CODES.
2. PLEASE REFER TO PRODUCT DOCUMENTATION FOR FURTHER INFORMATION.
3. ALL DIMENSIONS ARE IN INCHES [MILLIMETERS].

SYPF250KD/500KD POWER FRAME or SYBBE BATTERY BREAKER ENCLOSURE PLAN VIEW

THIS DRAWING AND SPECIFICATIONS HEREIN ARE THE PROPERTY OF SCHNEIDER ELECTRIC AND SHALL NOT BE COPIED, REPRODUCED OR USED IN WHOLE OR IN PART, AS THE BASIS FOR THE MANUFACTURE OR SALE OF ITEMS WITHOUT WRITTEN PERMISSION FROM SCHNEIDER ELECTRIC. THIS DRAWING IS BASED UPON LATEST AVAILABLE INFORMATION AND IS SUBJECT TO CHANGE WITHOUT NOTICE.



TITLE: SYMMETRA PX 250/500kW
SEISMIC ANCHORING
POWER FRAME or BATTERY BREAKER ENCLOSURE
SYPF250KD/500KD or SYBBE
PLAN VIEW

DWG NO: SYPX250/500SEISMIC

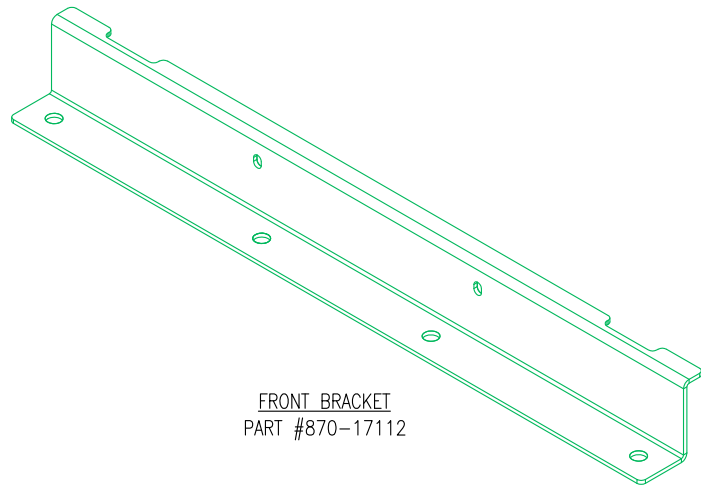
REV. 0

DRAWN BY: S CUNHA 04-OCT-13
ENGINEER: K SILBERBAUER 04-OCT-13

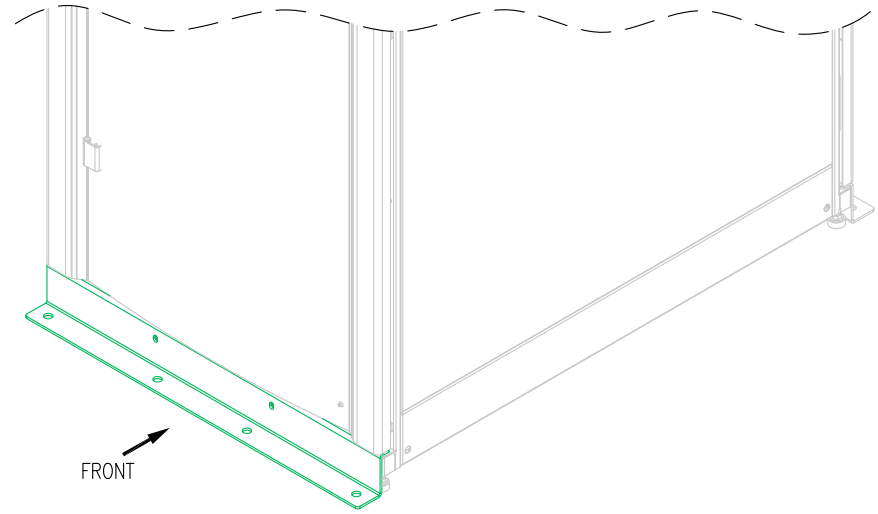
THIRD ANGLE PROJ

PROJECT: STD SUBMITTAL DRAWINGS SHEET 6 OF 10

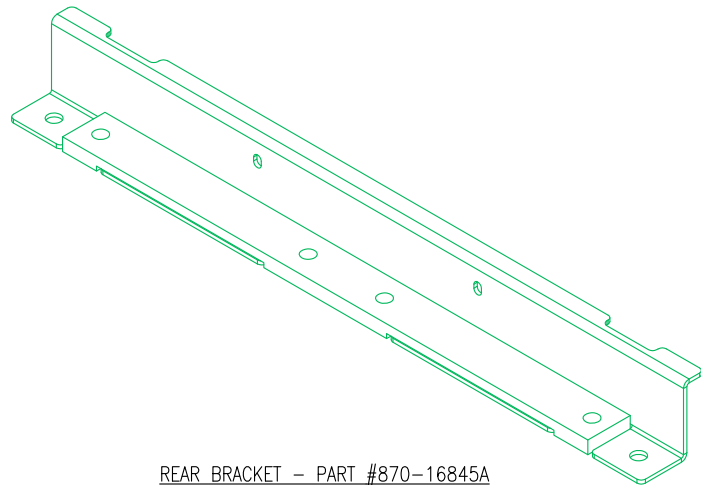
APPROVED BY: M DESHPANDE 04-OCT-13



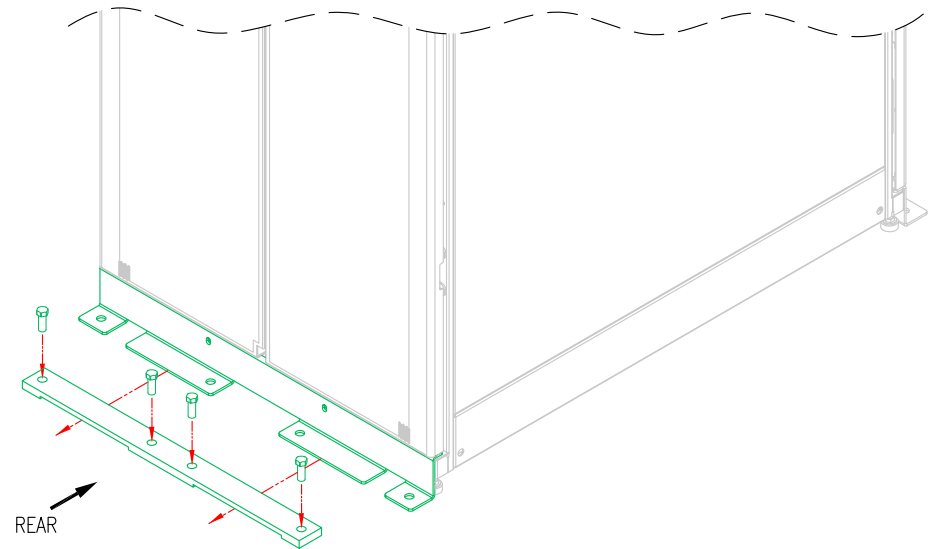
FRONT BRACKET
PART #870-17112



FRONT



REAR BRACKET - PART #870-16845A
w/ LATCH BRACKET - PART #870-16871



REAR

NOTES:

1. INSTALLATION SHALL COMPLY WITH ALL APPLICABLE NATIONAL, STATE AND LOCAL CODES.
2. PLEASE REFER TO PRODUCT DOCUMENTATION FOR FURTHER INFORMATION.

THIS DRAWING AND SPECIFICATIONS HEREIN ARE THE PROPERTY OF SCHNEIDER ELECTRIC AND SHALL NOT BE COPIED, REPRODUCED OR USED IN WHOLE OR IN PART, AS THE BASIS FOR THE MANUFACTURE OR SALE OF ITEMS WITHOUT WRITTEN PERMISSION FROM SCHNEIDER ELECTRIC. THIS DRAWING IS BASED UPON LATEST AVAILABLE INFORMATION AND IS SUBJECT TO CHANGE WITHOUT NOTICE.

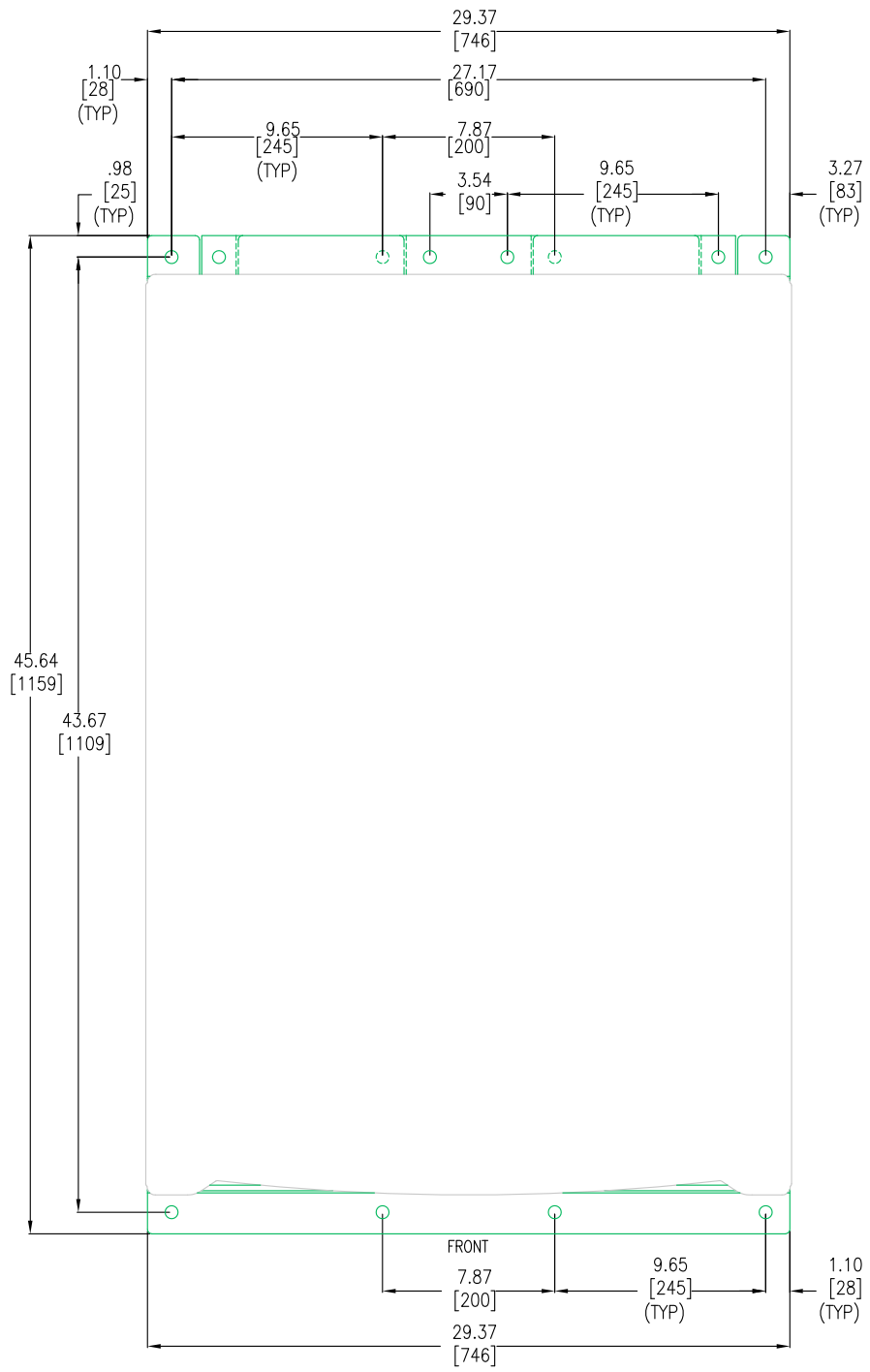


TITLE:
SYMMETRA Px 250/500kW
SEISMIC ANCHORING
BATTERY FRAME SYBFXR8
INSTALLATION VIEWS
PROJECT: STD SUBMITTAL DRAWINGS SHEET 7 OF 10

DWG NO: SYPX250/500SEISMIC
DRAWN BY: S CUNHA
ENGINEER: K SILBERBAUER
APPROVED BY: M DESHPANDE

REV. 0
THIRD ANGLE PROJ

SYBFXR8 BATTERY FRAME INSTALLATION VIEW



NOTES:

1. INSTALLATION SHALL COMPLY WITH ALL APPLICABLE NATIONAL, STATE AND LOCAL CODES.
2. PLEASE REFER TO PRODUCT DOCUMENTATION FOR FURTHER INFORMATION.
3. ALL DIMENSIONS ARE IN INCHES [MILLIMETERS].

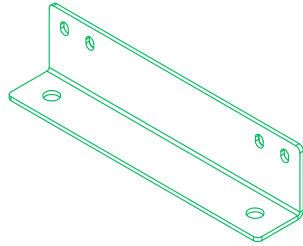
SYBFXR8 BATTERY FRAME PLAN VIEW

THIS DRAWING AND SPECIFICATIONS HEREIN ARE THE PROPERTY OF SCHNEIDER ELECTRIC AND SHALL NOT BE COPIED, REPRODUCED OR USED IN WHOLE OR IN PART, AS THE BASIS FOR THE MANUFACTURE OR SALE OF ITEMS WITHOUT WRITTEN PERMISSION FROM SCHNEIDER ELECTRIC. THIS DRAWING IS BASED UPON LATEST AVAILABLE INFORMATION AND IS SUBJECT TO CHANGE WITHOUT NOTICE.

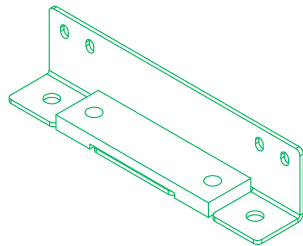
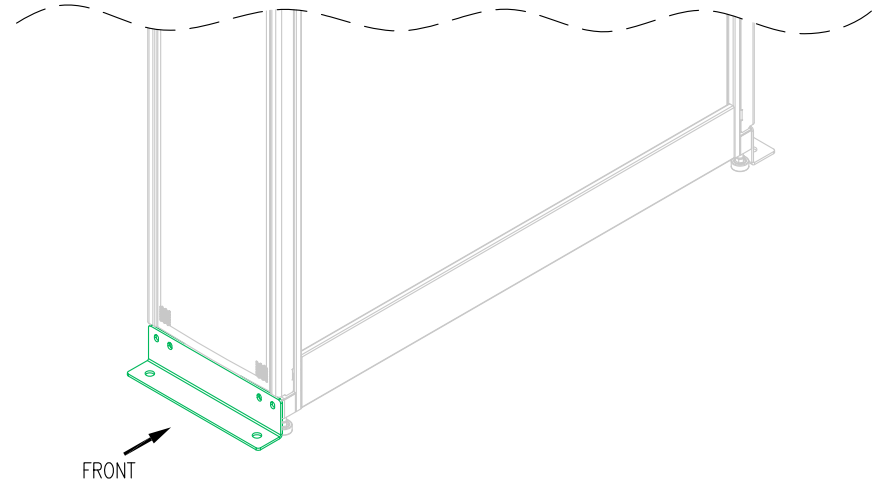


TITLE:
 SYMMETRA PX 250/500kW
 SEISMIC ANCHORING
 BATTERY FRAME SYBFXR8
 PLAN VIEW
 PROJECT: STD SUBMITTAL DRAWINGS SHEET 8 OF 10

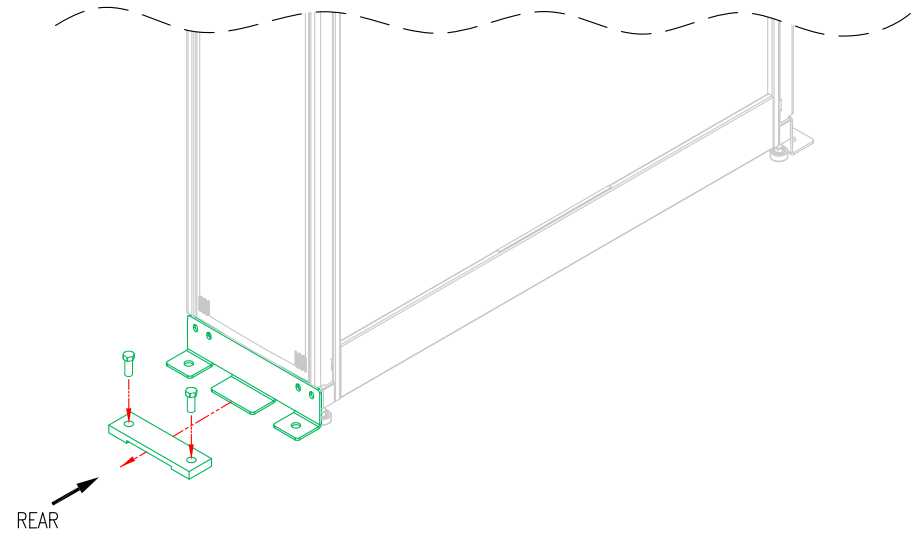
DWG NO:	SYPX250/500SEISMIC	REV:	0
DRAWN BY:	S CUNHA	DATE:	04-OCT-13
ENGINEER:	K SILBERBAUER	DATE:	04-OCT-13
APPROVED BY:	M DESHPANDE	DATE:	04-OCT-13
		VIEW:	THIRD ANGLE PROJ



FRONT BRACKET
PART #870-17111



REAR BRACKET - PART #870-16847A
w/ LATCH BRACKET - PART #870-17070



NOTES:

1. INSTALLATION SHALL COMPLY WITH ALL APPLICABLE NATIONAL, STATE AND LOCAL CODES.
2. PLEASE REFER TO PRODUCT DOCUMENTATION FOR FURTHER INFORMATION.

SYBSC BATTERY SIDECAR or SYBFF BOTTOM FEED FRAME INSTALLATION VIEW

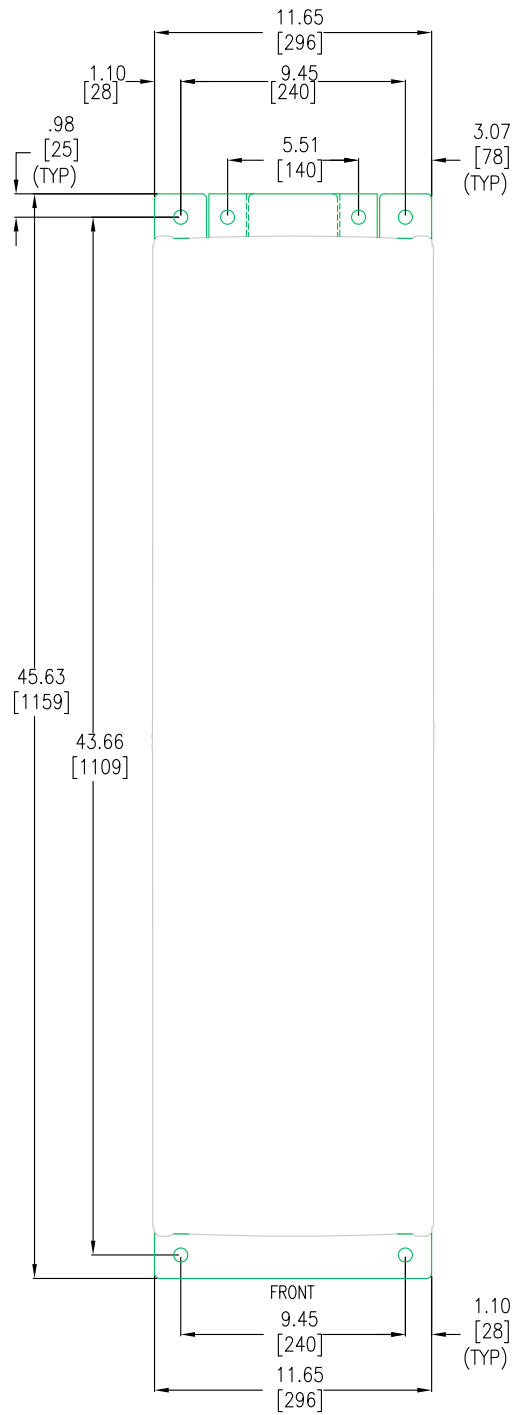
THIS DRAWING AND SPECIFICATIONS HEREIN ARE THE PROPERTY OF SCHNEIDER ELECTRIC AND SHALL NOT BE COPIED, REPRODUCED OR USED IN WHOLE OR IN PART, AS THE BASIS FOR THE MANUFACTURE OR SALE OF ITEMS WITHOUT WRITTEN PERMISSION FROM SCHNEIDER ELECTRIC. THIS DRAWING IS BASED UPON LATEST AVAILABLE INFORMATION AND IS SUBJECT TO CHANGE WITHOUT NOTICE.



TITLE: SYMMETRA PX 250/500kW
SEISMIC ANCHORING
BATTERY SIDECAR or BOTTOM FEED FRAME
SYBSC or SYBFF
INSTALLATION VIEWS
PROJECT: STD SUBMITTAL DRAWINGS SHEET 9 OF 10

DWG NO: SYPX250/500SEISMIC	REV: 0
DRAWN BY: S CUNHA	04-OCT-13
ENGINEER: K SILBERBAUER	04-OCT-13
APPROVED BY: M DESHPANDE	04-OCT-13

THIRD
ANGLE
PROJ



NOTES:

1. INSTALLATION SHALL COMPLY WITH ALL APPLICABLE NATIONAL, STATE AND LOCAL CODES.
2. PLEASE REFER TO PRODUCT DOCUMENTATION FOR FURTHER INFORMATION.
3. ALL DIMENSIONS ARE IN INCHES [MILLIMETERS].

SYBSC BATTERY SIDECAR or SYBFF BOTTOM FEED FRAME PLAN VIEW

THIS DRAWING AND SPECIFICATIONS HEREIN ARE THE PROPERTY OF SCHNEIDER ELECTRIC AND SHALL NOT BE COPIED, REPRODUCED OR USED IN WHOLE OR IN PART, AS THE BASIS FOR THE MANUFACTURE OR SALE OF ITEMS WITHOUT WRITTEN PERMISSION FROM SCHNEIDER ELECTRIC. THIS DRAWING IS BASED UPON LATEST AVAILABLE INFORMATION AND IS SUBJECT TO CHANGE WITHOUT NOTICE.



TITLE: SYMMETRA PX 250/500kW
SEISMIC ANCHORING
BATTERY SIDECAR or BOTTOM FEED FRAME
SYBSC or SYBFF
PLAN VIEW
PROJECT: STD SUBMITTAL DRAWINGS SHEET 10 OF 10

DWG NO: SYPX250/500SEISMIC	REV: 0
DRAWN BY: S CUNHA	04-OCT-13
ENGINEER: K SILBERBAUER	04-OCT-13
APPROVED BY: M DESHPANDE	04-OCT-13
	THIRD ANGLE PROJ