

**NOTES:**

1. INSTALLATION SHALL COMPLY WITH ALL APPLICABLE NATIONAL, STATE AND LOCAL CODES.
2. PLEASE REFER TO PRODUCT DOCUMENTATION FOR FURTHER INFORMATION.
3. BRACKETS CAN BE MOUNTED SO THAT EITHER FACE COULD BE THE FRONT.
4. ALL DIMENSIONS ARE IN INCHES [MILLIMETERS].
5. WEIGHT OF UNIT IS 17.56 LBS [7.98 KG].
6. INPUT CORD LENGTH IS 96.0 IN [2438 MM].

THIS DRAWING AND SPECIFICATIONS HEREIN ARE THE PROPERTY OF SCHNEIDER ELECTRIC AND SHALL NOT BE COPIED, REPRODUCED OR USED IN WHOLE OR IN PART, AS THE BASIS FOR THE MANUFACTURE OR SALE OF ITEMS WITHOUT WRITTEN PERMISSION FROM SCHNEIDER ELECTRIC. THIS DRAWING IS BASED UPON LATEST AVAILABLE INFORMATION AND IS SUBJECT TO CHANGE WITHOUT NOTICE.

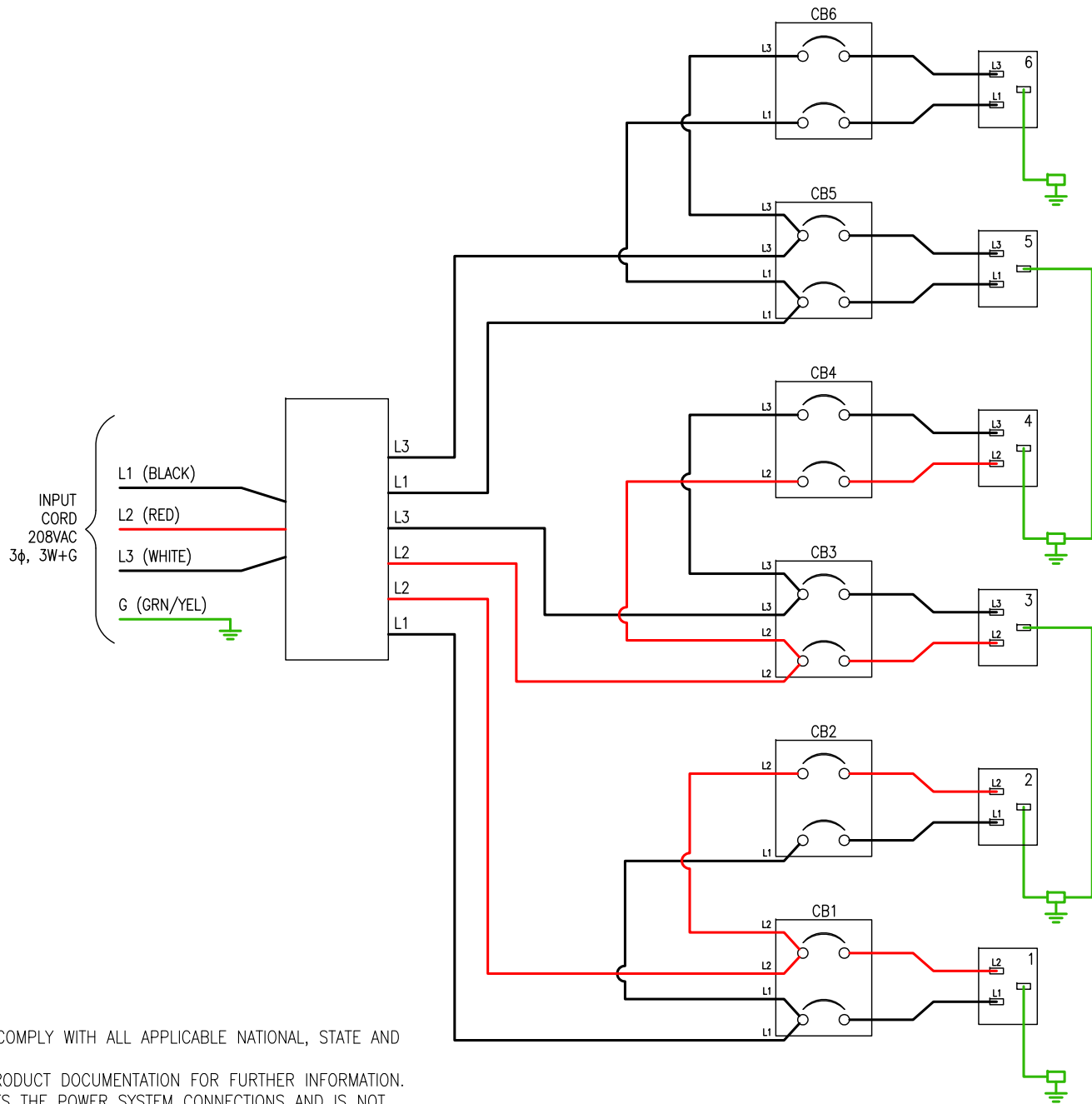


TITLE: RACK PDU, BASIC  
1U, 14.4kW, 208VAC  
INPUT: CS8365, 208 3Ø 50/60Hz  
OUTPUT: (6) IEC 320 C19  
MAIN MECHANICAL

DWG NO: AP7516

DRAWN BY: S CUNHA	11-NOV-11
ENGINEER: T HORSTMANN	11-NOV-11
APPROVED BY: S VOCCIO	11-NOV-11

REV. 0
THIRD ANGLE PROJ.



**NOTES:**

1. INSTALLATION SHALL COMPLY WITH ALL APPLICABLE NATIONAL, STATE AND LOCAL CODES.
2. PLEASE REFER TO PRODUCT DOCUMENTATION FOR FURTHER INFORMATION.
3. THIS DRAWING DEPICTS THE POWER SYSTEM CONNECTIONS AND IS NOT REPRESENTATIVE OF THE PHYSICAL LAYOUT. PLEASE REFER TO MECHANICAL DRAWINGS FOR PHYSICAL LAYOUT.
4. OUTLET 1 IS CONNECTED TO CB1.  
OUTLET 2 IS CONNECTED TO CB2.  
OUTLET 3 IS CONNECTED TO CB3.  
OUTLET 4 IS CONNECTED TO CB4.  
OUTLET 5 IS CONNECTED TO CB5.  
OUTLET 6 IS CONNECTED TO CB6.

THIS DRAWING AND SPECIFICATIONS HEREIN ARE THE PROPERTY OF SCHNEIDER ELECTRIC AND SHALL NOT BE COPIED, REPRODUCED OR USED IN WHOLE OR IN PART, AS THE BASIS FOR THE MANUFACTURE OR SALE OF ITEMS WITHOUT WRITTEN PERMISSION FROM SCHNEIDER ELECTRIC. THIS DRAWING IS BASED UPON LATEST AVAILABLE INFORMATION AND IS SUBJECT TO CHANGE WITHOUT NOTICE.



TITLE: RACK PDU, BASIC  
1U, 14.4kW, 208VAC  
INPUT: CS8365, 208 3Ø 50/60Hz  
OUTPUT: (6)IEC 320 C19  
ELECTRICAL SCHEMATIC

PROJECT: STD SUBMITTAL DRAWINGS SHEET 2 OF 2

DWG NO: AP7516

DRAWN BY:	S CUNHA	11-NOV-11
ENGINEER:	T HORSTMANN	11-NOV-11
APPROVED BY:	S VOCCIO	11-NOV-11

REV. 0  
THIRD ANGLE PROJ.