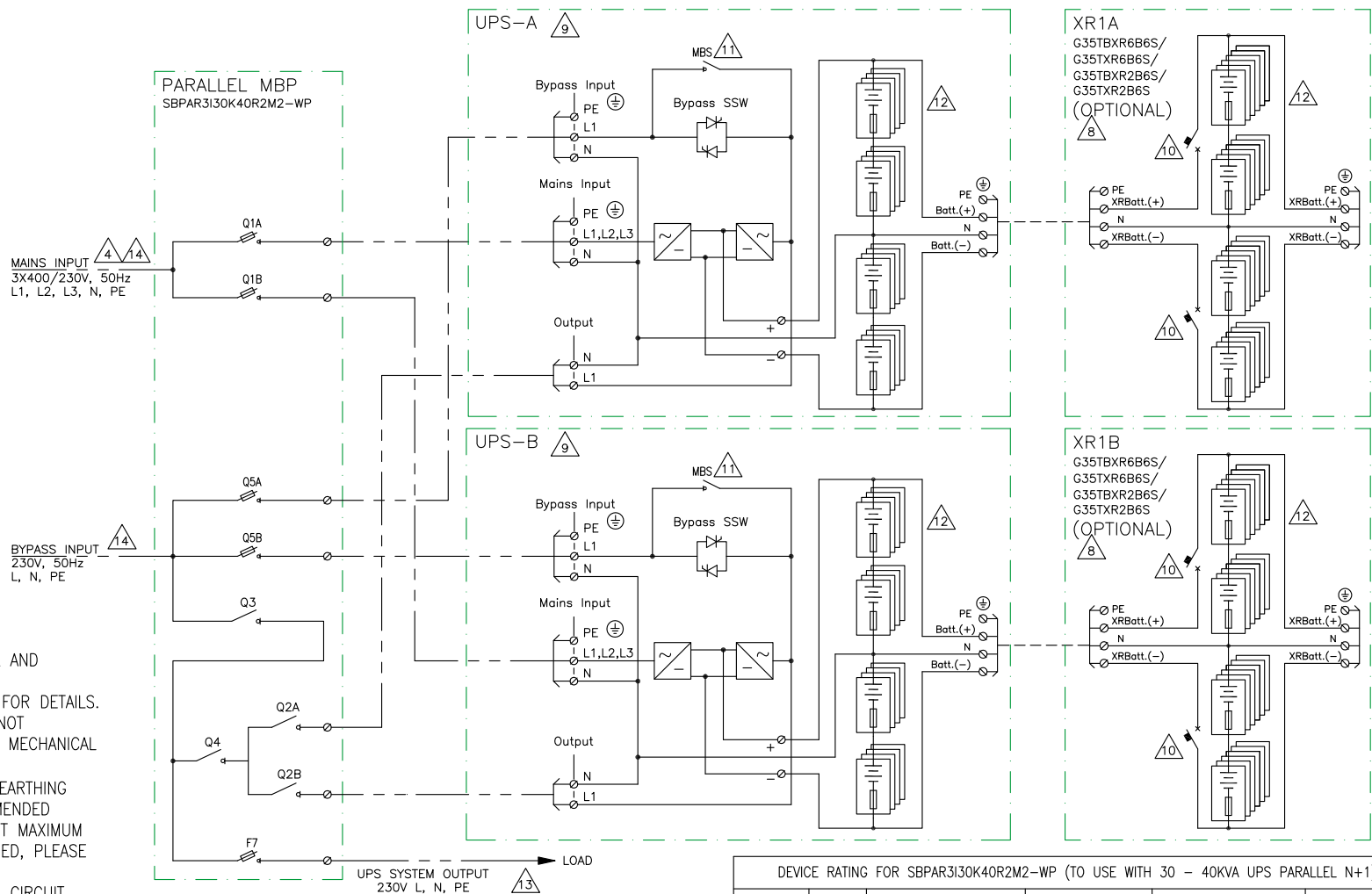


**LEGEND:**  
 - - - - - AC CABLE - PROVIDED BY OTHERS.  
 - - - - - DC CABLE - PROVIDED BY OTHERS.



- NOTES:**
- INSTALLATION SHALL COMPLY WITH ALL APPLICABLE LOCAL AND NATIONAL CODES.
  - PLEASE REFER TO Schneider Electric PRODUCT MANUALS FOR DETAILS.
  - DRAWING DEPICTS POWER SYSTEM CONNECTIONS AND IS NOT REPRESENTATIVE OF PHYSICAL LAYOUT, PLEASE REFER TO MECHANICAL DRAWINGS FOR PHYSICAL LAYOUT.
  - 3X400/230V TN-S (PROVIDED BY OTHERS). FOR OTHER EARTHING PRINCIPLES, PLEASE CONTACT Schneider Electric. RECOMMENDED UPSTREAM PROTECTION IS A MINIMUM RATING TO SUPPORT MAXIMUM CURRENT, WITHOUT SELECTIVITY. IF SELECTIVITY IS REQUIRED, PLEASE CONTACT Schneider Electric.
  - DC CABLING SHALL BE 600V RATED, 2 WIRE + PE, EACH CIRCUIT SHALL BE RUN IN SEPARATE CONDUITS, POSITIVE, NEGATIVE + PE.
  - UPS INPUT AND OUTPUT CABLES SHALL BE SEGREGATED.
  - POWER WIRING AND CONTROL WIRING SHALL BE SEGREGATED.
  - MAXIMUM 4 XR BATTERY ENCLOSURES MAY BE USED WITH THE SYSTEM.
  - APPLICABLE UPS SKU NUMBERS LISTED IN SHEET-2.
  - DC BREAKERS ARE APPLICABLE FOR G35TBXR2B6S AND G35TBXR6B6S ONLY.
  - MBS SHALL BE DISABLED WHILE USING WITH MAINTENANCE BYPASS PANEL.
  - THIS DRAWING SHOWS MAXIMUM NUMBER OF BATTERY MODULES IN EACH CABINET. THE QUANTITY OF BATTERY MODULE IS SKU SPECIFIC.  
 EX. G35T10KH1B4S  
 CAN BE EXPANDED UPTO (4) BATTERY MODULES  
 MINIMUM NUMBER (1) OF BATTERY MODULES.  
 EX. G35TBXR2B6S  
 CAN BE EXPANDED UPTO (6) BATTERY MODULES.  
 MINIMUM NUMBER (2) OF BATTERY MODULES.
  - SYSTEM OUTPUT FOR VARIOUS SKUS LISTED IN SHEET-2.
  - FOR SYSTEM INPUT OVER CURRENT PROTECTION REFER TO SHEET-2.

DEVICE	RATED SHORT CIRCUIT CURRENT	
	WITH INPUT FUSES	WITH INPUT BREAKERS
UPS	30kA SYMMETRICAL	30kA SYMMETRICAL
XR BATTERY	30kA SYMMETRICAL	30kA SYMMETRICAL
SBP	35kA SYMMETRICAL	35kA SYMMETRICAL

DEVICE RATING FOR SBPAR3130K40R2M2-WP (TO USE WITH 30 - 40kVA UPS PARALLEL N+1)

DEVICE ID	DEVICE RATING	TYPE	MAKE	MODEL	ACCESSORIES
Q1A, Q1B	63A	FUSE SWITCH	SERVODAN	3P	AUX. switch NO
Q2A, Q2B	200A	SWITCH DISCONNECTOR	Schneider Electric	INS250-200 3P	AUX. switch NO
Q3	200A	SWITCH DISCONNECTOR	Schneider Electric	INS250-200 3P	AUX. switch NO
Q4	200A	SWITCH DISCONNECTOR	Schneider Electric	INS250-200 3P	AUX. switch NO
Q5A, Q5B	200A	FUSE SWITCH	Feraz	Multibloc 250A, 690V	AUX. switch NO
F7	200A	FUSE SWITCH	Feraz	Multibloc 250A, 690V	

SYSTEM DEVICE RATING (COMMON FOR BOTH SYSTEMS)

FU-1	3A	TIME DELAY FUSE, 600V	BUSSMAN	FNQ-R-3	-
DC BREAKER	250A	CIRCUIT BREAKER, 3P 500V	SQUARE D by Schneider Electric	KHL3625052DC1386	24VDC SHUNT TRIP, 1-AUX SWITCH

THIS DRAWING AND SPECIFICATIONS HEREIN ARE THE PROPERTY OF SCHNEIDER ELECTRIC AND SHALL NOT BE COPIED, REPRODUCED OR USED IN WHOLE OR IN PART, AS THE BASIS FOR THE MANUFACTURE OR SALE OF ITEMS WITHOUT WRITTEN PERMISSION FROM SCHNEIDER ELECTRIC. THIS DRAWING IS BASED UPON LATEST AVAILABLE INFORMATION AND IS SUBJECT TO CHANGE WITHOUT NOTICE.



TITLE: GALAXY 3500  
 Input: 400/230VAC 3Ø DUAL MAINS  
 Output: 230VAC 1Ø, 30-40kVA 2 MOD N+1  
 SYSTEM SINGLE-LINE DIAGRAM  
 PROJECT: STD SUBMITTAL DRAWINGS | SHEET 1 OF 2

DWG NO: G35TMBP30K3I40H2R2-SD  
 REV: 0  
 DRAWN BY: V BUSH/S CUNHA 29-SEP-11  
 ENGINEER: C PEDERSEN 29-SEP-11  
 APPROVED BY: C LARSEN 29-SEP-11  
 PROJ ANGLE N/A

# GALAXY 3500 30K AND 40K UPS FRAME (2 MODULE N+1) SITE PLANNING DATA – WITH MBP

BATTERY – NOMINAL VOLTAGE: +/-192VDC INPUT VOLTAGE: 400VAC, OUTPUT VOLTAGE: 230VAC

UPS RATING	SKU NUMBER	SYSTEM MAINS INPUT		SYSTEM BYPASS INPUT	SYSTEM OUTPUT		BATTERY CURRENT(A) (IN UPS CABINET)	RECOMMENDED OVERCURRENT PROTECTION DEVICE RATING			
		NOMINAL CURRENT(A)	MAXIMUM CURRENT(A)	NOMINAL CURRENT(A)	SYSTEM OUTPUT POWER	NOMINAL CURRENT(A)		INDIVIDUAL UPS MAINS INPUT(A)	INDIVIDUAL UPS BYPASS INPUT(A)	UPS SYSTEM INPUT(A)	UPS SYSTEM OUTPUT(A)
30kVA/ 24kW	G35T30K3I3B4S	36.7	40.3	130	30kVA 24kW N+1	130	83	50	160	160	160
	G35T30K3I4B4S										
40kVA/ 32kW	G35T40K3I4B4S	49.1	54.0	173	40kVA 32kW N+1	173	110	63	200	200	200

**NOTES:**

1. NOMINAL INPUT CURRENT BASED ON NOMINAL MAINS VOLTAGE + BATTERIES FULLY CHARGED AT 100% OHMIC LOAD.
2. MAXIMUM INPUT CURRENT BASED ON FULLY BATTERY RECHARGE + NOMICAL MAINS VOLTAGE AT 100% OHMIC LOAD.
3. SUGGESTED INPUT OVERCURRENT PROTECTION BASED ON CONTINUOUS FULL LOAD.
4. NOMINAL BATTERY VOLTAGE ASSUMED TO BE 2.0 VOLTS PER CELL (LEAD TECHNOLOGY).
5. OVERCURRENT PROTECTION DEVICE RATING SELECTION BASED ON NOMINAL INPUT CURRENT IS ACCEPTABLE PROVIDED BATTERY RECHARGE TIME IS SHORT. CONSULT Schneider Electric FOR APPLICATION SPECIFIC ASSISTANCE.

THIS DRAWING AND SPECIFICATIONS HEREIN ARE THE PROPERTY OF SCHNEIDER ELECTRIC AND SHALL NOT BE COPIED, REPRODUCED OR USED IN WHOLE OR IN PART, AS THE BASIS FOR THE MANUFACTURE OR SALE OF ITEMS WITHOUT WRITTEN PERMISSION FROM SCHNEIDER ELECTRIC. THIS DRAWING IS BASED UPON LATEST AVAILABLE INFORMATION AND IS SUBJECT TO CHANGE WITHOUT NOTICE.



TITLE: GALAXY 3500 Input: 400/230VAC 3Ø DUAL MAINS Output: 230VAC 1Ø 30-40kVA 2 MOD N+1 SITE PLANNING DATA		DWG NO: G35TMBP30K3I40H2R2-SD	REV. 0
PROJECT: STD SUBMITTAL DRAWINGS	SHEET 2 OF 2	DRAWN BY: V BUSH/S CUNHA	29-SEP-11
		ENGINEER: C PEDERSEN	29-SEP-11
		APPROVED BY: C LARSEN	29-SEP-11
		PROJ	ANGLE
		N/A	