

**NOTES:**

1. INSTALLATION SHALL COMPLY WITH ALL APPLICABLE NATIONAL, STATE AND LOCAL CODES.
2. SEE PRODUCT DOCUMENTATION FOR FURTHER INFORMATION.
3. UNLESS OTHERWISE SPECIFIED, ALL DIMENSIONS ARE IN INCHES [MILLIMETERS].
4. NET WEIGHT OF UNIT IS 21.10kG [46.43LBS].
5. MISCELLANEOUS INTERNAL BAFFLES AND MAGNETIC PANELS ARE NOT SHOWN.

THIS DRAWING AND SPECIFICATIONS HEREIN ARE THE PROPERTY OF SCHNEIDER ELECTRIC AND SHALL NOT BE COPIED, REPRODUCED OR USED IN WHOLE OR IN PART, AS THE BASIS FOR THE MANUFACTURE OR SALE OF ITEMS WITHOUT WRITTEN PERMISSION FROM SCHNEIDER ELECTRIC. THIS DRAWING IS BASED UPON LATEST AVAILABLE INFORMATION AND IS SUBJECT TO CHANGE WITHOUT NOTICE.



TITLE:  
TALL RANGE VERTICAL EXHAUST DUCT KIT  
FOR 750mm WIDE SX ENCLOSURE  
MECHANICAL LAYOUT

DWG NO: AR7752

REV. 1

DRAWN BY: M CRAVEN 02-FEB-12

THIRD

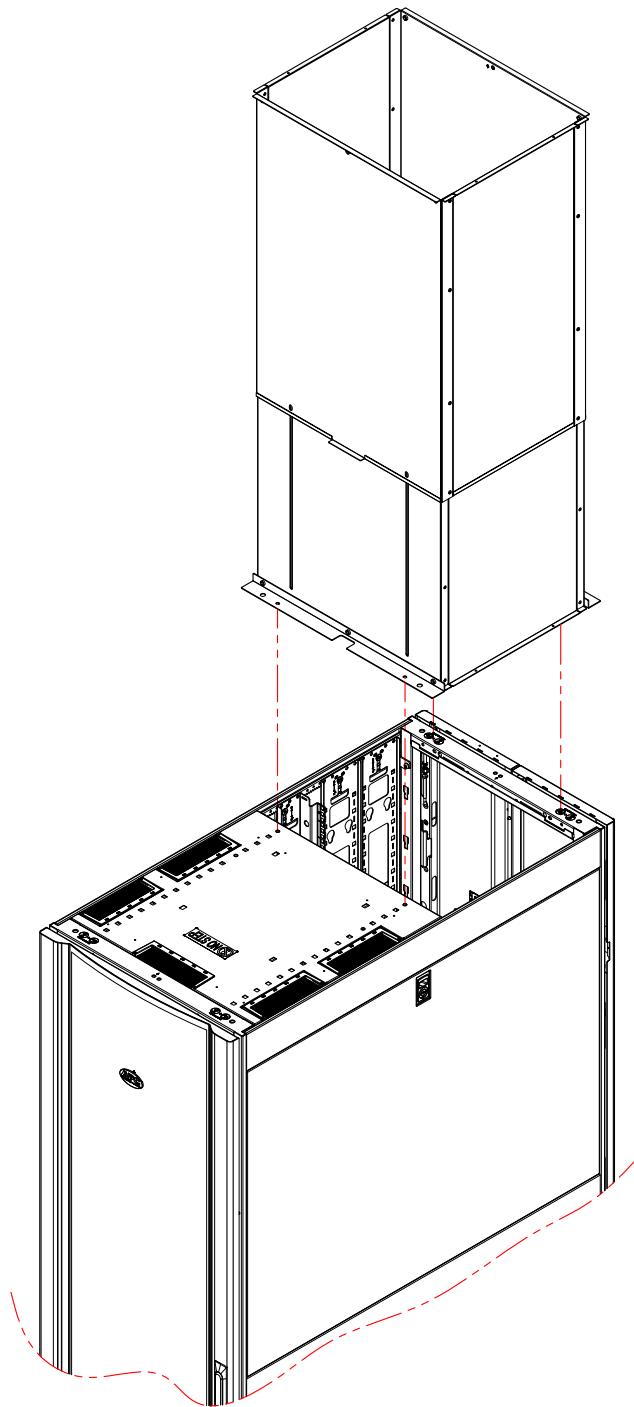
ENGINEER: Y JIANG/J KUMMER 02-FEB-12

ANGLE

PROJECT: STD SUBMITTAL DRAWINGS SHEET 1 OF 2

APPROVED BY: T HORSTMANN/M LEPARD 02-FEB-12

PROJ



**NOTES:**

1. INSTALLATION SHALL COMPLY WITH ALL APPLICABLE NATIONAL, STATE AND LOCAL CODES.
2. SEE PRODUCT DOCUMENTATION FOR FURTHER INFORMATION.

THIS DRAWING AND SPECIFICATIONS HEREIN ARE THE PROPERTY OF SCHNEIDER ELECTRIC AND SHALL NOT BE COPIED, REPRODUCED OR USED IN WHOLE OR IN PART, AS THE BASIS FOR THE MANUFACTURE OR SALE OF ITEMS WITHOUT WRITTEN PERMISSION FROM SCHNEIDER ELECTRIC. THIS DRAWING IS BASED UPON LATEST AVAILABLE INFORMATION AND IS SUBJECT TO CHANGE WITHOUT NOTICE.



TITLE:  
TALL RANGE VERTICAL EXHAUST DUCT KIT  
FOR 600mm WIDE SX ENCLOSURE  
INSTALLATION GUIDE

PROJECT: STD SUBMITTAL DRAWINGS SHEET 2 OF 2

DWG NO:	AR7752		REV.	0
DRAWN BY:	V BUSH	20-MAY-11	THIRD	ANGLE
ENGINEER:	J KUMMER	DD-MMM-YY	THIRD	ANGLE
APPROVED BY:	T HORSTMANN/M LEPARD	DD-MMM-YY	PROJ	