

208-480V
220-480V

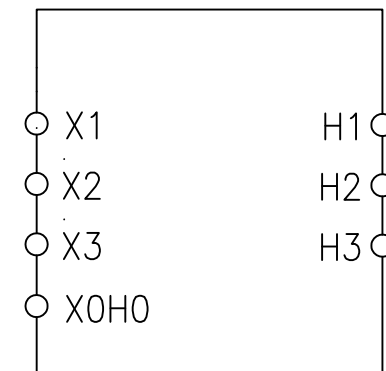


FIGURE 1

600-480V

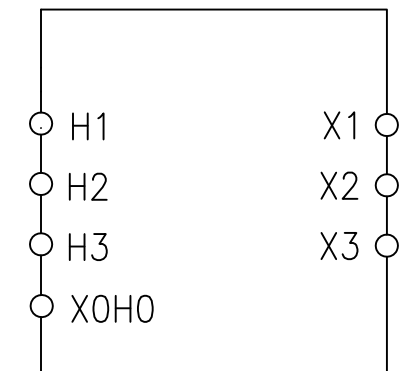


FIGURE 2

INPUT/BYPASS TRANSFORMER		
KVA	VOLTAGE	PART NUMBER
50	208-480V	8-97050-11
	220-480V	8-97050-17
	600-480V	8-97050-12
80	208-480V	8-97080-11
	220-480V	8-97080-17
	600-480V	8-97080-12
130	208-480V	8-220-016042-00
	220-480V	8-220-016046-00
	600-480V	8-220-016074-00

THIS DRAWING AND SPECIFICATIONS HEREIN ARE THE PROPERTY OF SCHNEIDER ELECTRIC AND SHALL NOT BE COPIED, REPRODUCED OR USED IN WHOLE OR IN PART, AS THE BASIS FOR THE MANUFACTURE OR SALE OF ITEMS WITHOUT WRITTEN PERMISSION FROM SCHNEIDER ELECTRIC. THIS DRAWING IS BASED UPON LATEST AVAILABLE INFORMATION AND IS SUBJECT TO CHANGE WITHOUT NOTICE.



TITLE: MGE GALAXY 5000
AUTO INPUT/BYPASS
TRANSFORMER SCHEMATIC

PROJECT: STD SUBMITTAL DRAWINGS SHEET 1 OF 1

DWG NO: 93-174040-00 REV. 1

DRAWN: S CUNHA 13-SEP-10

ENGINEER: S DAS/U BHAVILAI 13-SEP-10

APPROVED: B.SHERIDAN/F.DIOSA 13-SEP-10

PROJ. ANGLE N/A