

**NOTES:**

1. INSTALLATION SHALL COMPLY WITH ALL APPLICABLE NATIONAL, STATE AND LOCAL CODES.
2. PLEASE REFER TO PRODUCT DOCUMENTATION FOR FURTHER INFORMATION.
3. UNLESS OTHERWISE SPECIFIED ALL DIMENSIONS ARE IN INCHES [MILLIMETERS].
4. NET WEIGHT IS 3.80 LBS, [1.73 kg].

THIS DRAWING AND SPECIFICATIONS HEREIN ARE THE PROPERTY OF AMERICAN POWER CONVERSION AND SHALL NOT BE COPIED, REPRODUCED OR USED IN WHOLE OR IN PART, AS THE BASIS FOR THE MANUFACTURE OR SALE OF ITEMS WITHOUT WRITTEN PERMISSION FROM APC. THIS DRAWING IS BASED UPON LATEST AVAILABLE INFORMATION AND IS SUBJECT TO CHANGE WITHOUT NOTICE.



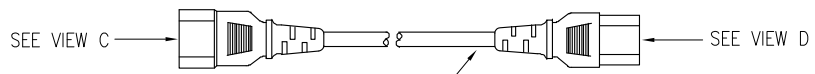
**TITLE:** RACK PDU METERED, 1U  
INPUT: 12A/208V, 10A/230V; IEC 320 C14  
OUTPUT: 208V, 230V (8) IEC 320 C13  
MAIN MECHANICAL

**DWG NO:** AP7820

**REV:** 0

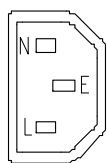
<b>DRAWN:</b> B ZAHN	04-FEB-09	THIRD ANGLE PROJECTION
<b>ENGINEER:</b> Y JIANG.T HORSTMANN	04-FEB-09	
<b>APPROVED:</b> B SHERIDAN/E SILVA	04-FEB-09	

**PROJECT:** SUBMITTAL DRAWINGS | **SHEET 1 OF 2**

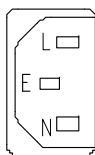


INPUT POWER CORD  
LENGTH IS 71.46-99.25 (1800-2500MM)

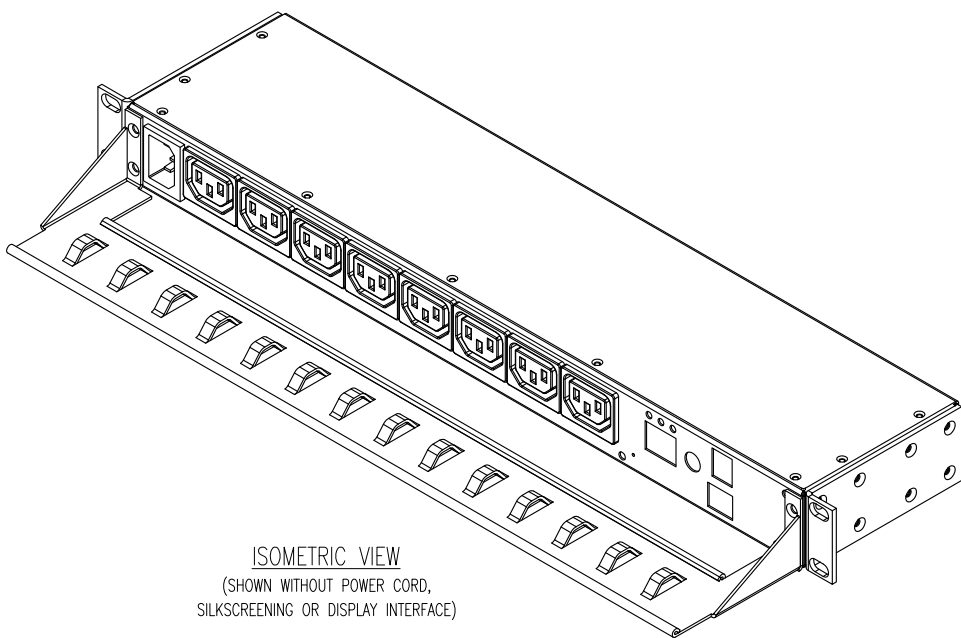
POWER CORD DETAIL



VIEW C  
(CONNECTOR FACE VIEW  
IEC320 C14 PLUG-ENLARGED)



VIEW D  
(CONNECTOR FACE VIEW  
IEC320 C13 PLUG-ENLARGED)



ISOMETRIC VIEW  
(SHOWN WITHOUT POWER CORD,  
SILKSCREENING OR DISPLAY INTERFACE)

THIS DRAWING AND SPECIFICATIONS HEREIN ARE THE PROPERTY OF AMERICAN POWER CONVERSION AND SHALL NOT BE COPIED, REPRODUCED OR USED IN WHOLE OR IN PART, AS THE BASIS FOR THE MANUFACTURE OR SALE OF ITEMS WITHOUT WRITTEN PERMISSION FROM APC. THIS DRAWING IS BASED UPON LATEST AVAILABLE INFORMATION AND IS SUBJECT TO CHANGE WITHOUT NOTICE.



**TITLE:** RACK PDU METERED, 1U  
INPUT: 12A/208V, 10A/230V, IEC 320 C14  
OUTPUT: 208V, 230V (8) IEC 320 C13  
ISOMETRIC VIEW AND DETAILS

**PROJECT:** SUBMITTAL DRAWINGS | SHEET 2 OF 2

**DWG NO:** AP7820

<b>DRAWN:</b> B ZAHN	04-FEB-09	<b>REV.</b> 0
<b>ENGINEER:</b> Y JIANG.T HORSTMANN	04-FEB-09	THIRD ANGLE PROJECTION
<b>APPROVED:</b> B SHERIDAN/E SILVA	04-FEB-09	