

NOTES:

1. INSTALLATION SHALL COMPLY WITH ALL APPLICABLE NATIONAL, STATE AND LOCAL CODES.
2. PLEASE REFER TO APC PRODUCT MANUAL.
3. ALL DIMENSIONS ARE IN INCHES [MILLIMETERS].
4. NET WEIGHT IS 14.00 LBS, [6.36 kg].
5. BRACKET KITS TO MOUNT TO SPECIFIC COMPETITORS RACKS ARE AVAILABLE AS OPTIONS.

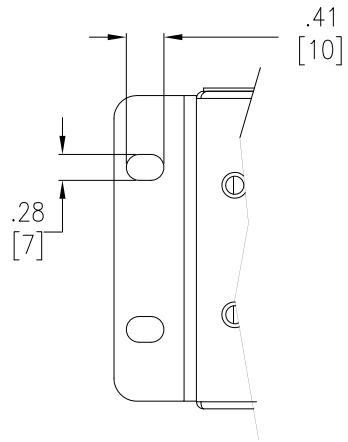
THIS DRAWING AND SPECIFICATIONS HEREIN ARE THE PROPERTY OF AMERICAN POWER CONVERSION AND SHALL NOT BE COPIED, REPRODUCED OR USED IN WHOLE OR IN PART, AS THE BASIS FOR THE MANUFACTURE OR SALE OF ITEMS WITHOUT WRITTEN PERMISSION FROM APC. THIS DRAWING IS BASED UPON LATEST AVAILABLE INFORMATION AND IS SUBJECT TO CHANGE WITHOUT NOTICE.

APC
www.apc.com

TITLE:
RACK, PDU, BASIC, 2U
INPUT: 208V, 24A, NEMA L14-30P
OUTPUT: 120V, (12) NEMA 5-20R
MAIN MECHANICAL

PROJECT: SUBMITTAL DRAWINGS SHEET 1 OF 2

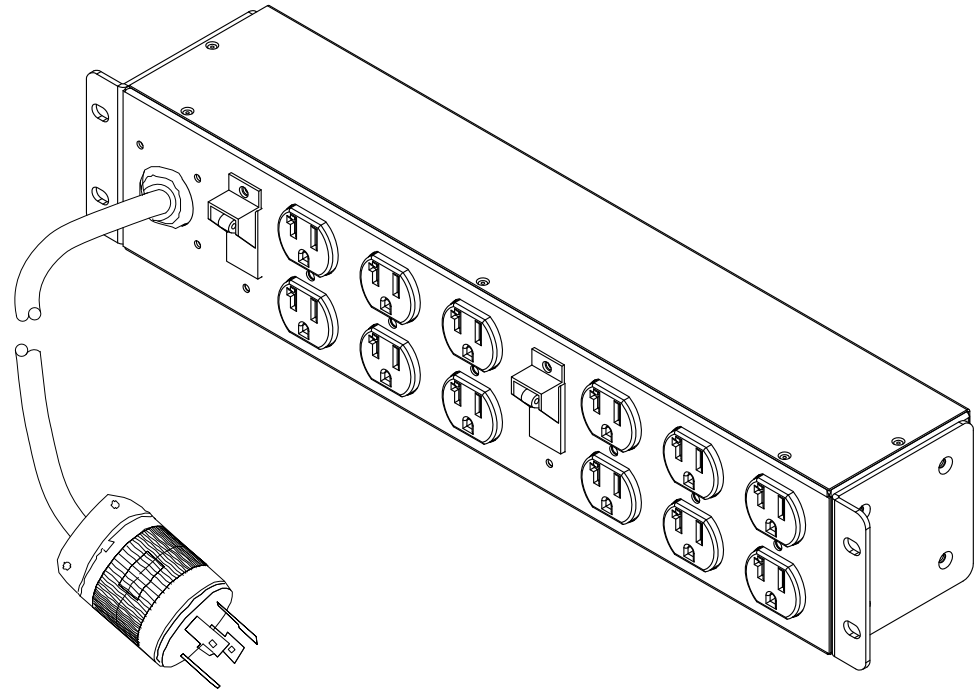
DWG NO:	AP7582	REV:	0
DRAWN:	B ZAHN	30-JUL-08	THIRD ANGLE PROJECTION
ENGINEER:	Y JIANG/T HORSTMANN	30-JUL-08	
APPROVED:	B SHERIDAN/E SILVA	30-JUL-08	



VIEW A (ENLARGED)



VIEW B
(NEMA L14-30 PLUG ENLARGED)



ISOMETRIC VIEW

THIS DRAWING AND SPECIFICATIONS HEREIN ARE THE PROPERTY OF AMERICAN POWER CONVERSION AND SHALL NOT BE COPIED, REPRODUCED OR USED IN WHOLE OR IN PART, AS THE BASIS FOR THE MANUFACTURE OR SALE OF ITEMS WITHOUT WRITTEN PERMISSION FROM APC. THIS DRAWING IS BASED UPON LATEST AVAILABLE INFORMATION AND IS SUBJECT TO CHANGE WITHOUT NOTICE.



TITLE:
RACK, PDU, BASIC, 2U
INPUT: 208V, 24A, NEMA L14-30P
OUTPUT: (12) NEMA 5-20R
DETAILS & ISOMETRIC VIEW

PROJECT: SUBMITTAL DRAWINGS SHEET 2 OF 1

DWG NO: **AP7582**

DRAWN: B ZAHN 30-JUL-08

ENGINEER: Y JIANG/T HORSTMANN 30-JUL-08

APPROVED: B SHERIDAN/E SILVA 30-JUL-08

REV: **0**

PROJECTION

ANGLE

N/A