

NOTES:

1. INSTALLATION SHALL COMPLY WITH ALL APPLICABLE NATIONAL, STATE AND LOCAL CODES.
2. PLEASE REFER TO PRODUCT DOCUMENTATION FOR FURTHER INFORMATION.
3. UNLESS OTHERWISE SPECIFIED, ALL DIMENSIONS ARE IN INCHES [MILLIMETERS].
4. THIS DRAWING IS TO BE USED FOR FLOOR ANCHORING PURPOSES ONLY.
5. ANCHORING BRACKET KIT PART #AR8112BLK.

THIS DRAWING AND SPECIFICATIONS HEREIN ARE THE PROPERTY OF SCHNEIDER ELECTRIC AND SHALL NOT BE COPIED, REPRODUCED OR USED IN WHOLE OR IN PART, AS THE BASIS FOR THE MANUFACTURE OR SALE OF ITEMS WITHOUT WRITTEN PERMISSION FROM SCHNEIDER ELECTRIC. THIS DRAWING IS BASED UPON LATEST AVAILABLE INFORMATION AND IS SUBJECT TO CHANGE WITHOUT NOTICE.

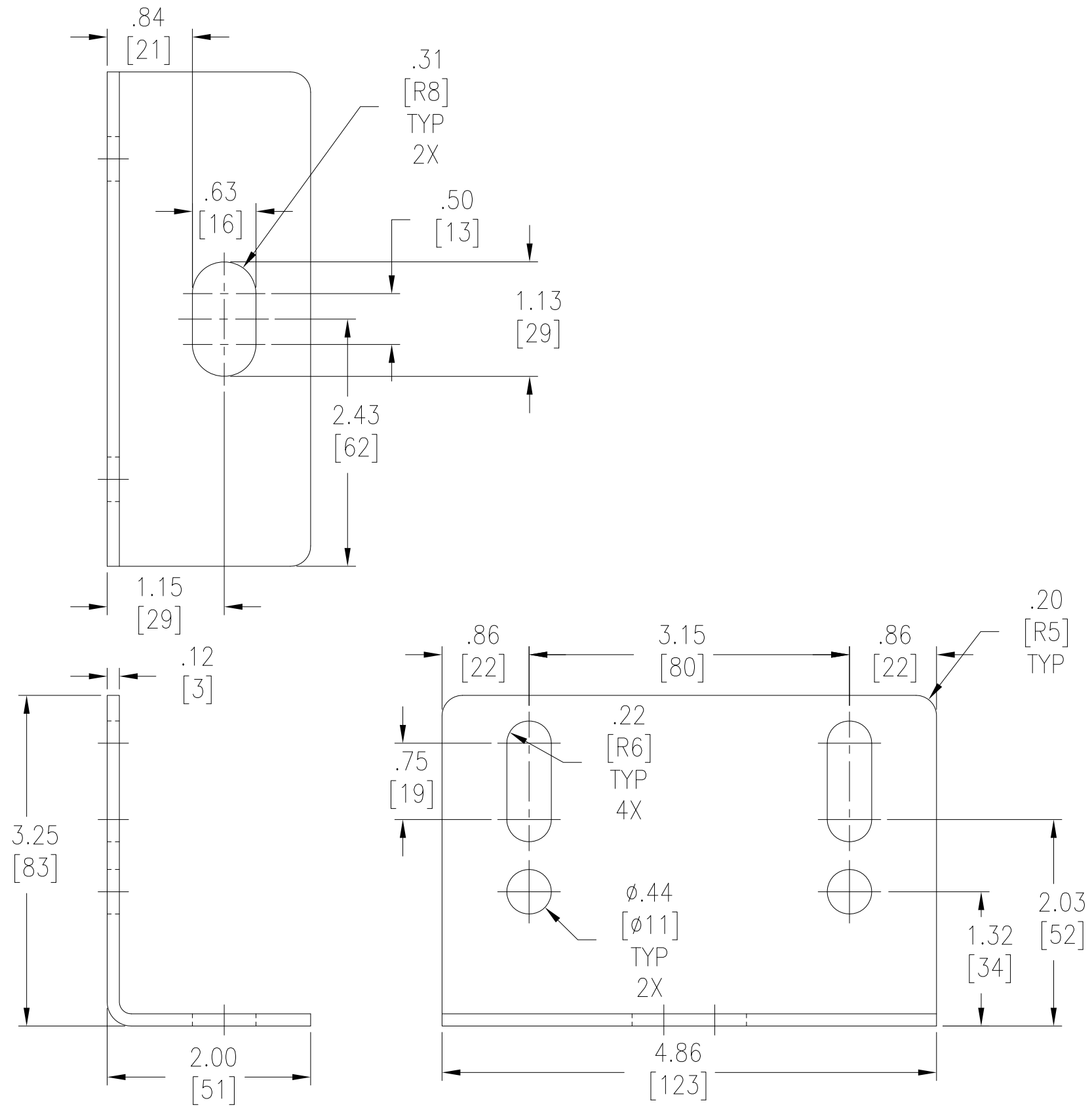


TITLE:
InfraStruXure 20kW SYSTEM
208VAC, 3Ø, 20kW
FLOOR ANCHORING

PROJECT: STD SUBMITTAL DRAWING SHEET: 1 OF 2

DWG NO: ISX20K20F-FA REV. 1

DRAWN: B ZAHN/S CUNHA	02-OCT-14	PROJ ANGLE N/A
ENGINEER: J RING/F DIOSA	17-AUG-05	
APPROVED: R HANSEN/E SILVA	17-AUG-05	



NOTES:

1. INSTALLATION SHALL COMPLY WITH ALL APPLICABLE NATIONAL, STATE AND LOCAL CODES.
2. PLEASE REFER TO PRODUCT DOCUMENTATION FOR FURTHER INFORMATION.
3. UNLESS OTHERWISE SPECIFIED, ALL DIMENSIONS ARE IN INCHES [MILLIMETERS].
4. MATERIAL IS 11GA CRS COMMERCIAL QUALITY.
5. FOUR (4) REQUIRED PER UNIT UNLESS BAYED.

THIS DRAWING AND SPECIFICATIONS HEREIN ARE THE PROPERTY OF SCHNEIDER ELECTRIC AND SHALL NOT BE COPIED, REPRODUCED OR USED IN WHOLE OR IN PART, AS THE BASIS FOR THE MANUFACTURE OR SALE OF ITEMS WITHOUT WRITTEN PERMISSION FROM SCHNEIDER ELECTRIC. THIS DRAWING IS BASED UPON LATEST AVAILABLE INFORMATION AND IS SUBJECT TO CHANGE WITHOUT NOTICE.



TITLE:
 InfraStruXure
 BOLT-DOWN BRACKET
 MECHANICAL DETAILS

PROJECT: STD SUBMITTAL DRAWING SHEET: 2 OF 2

DWG NO:	ISX20K20F-FA	REV.	7
DRAWN:	M CRAVEN/S CUNHA	02-OCT-14	PROJ
ENGINEER:	J RUNK	22-OCT-03	ANGLE
APPROVED:	B SHERIDAN	22-OCT-03	N/A