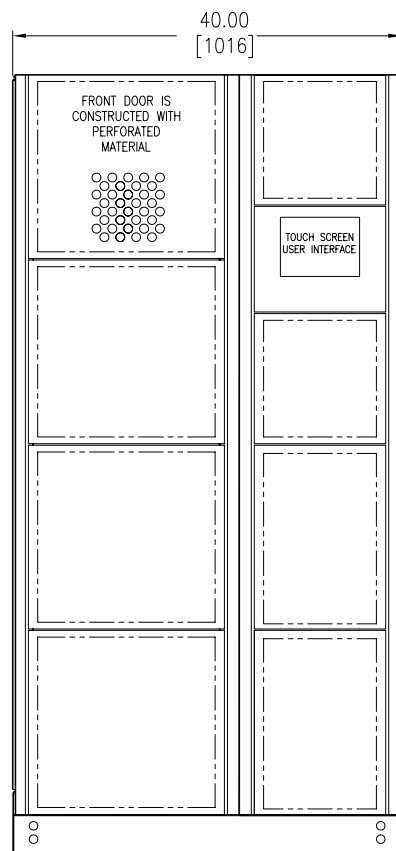


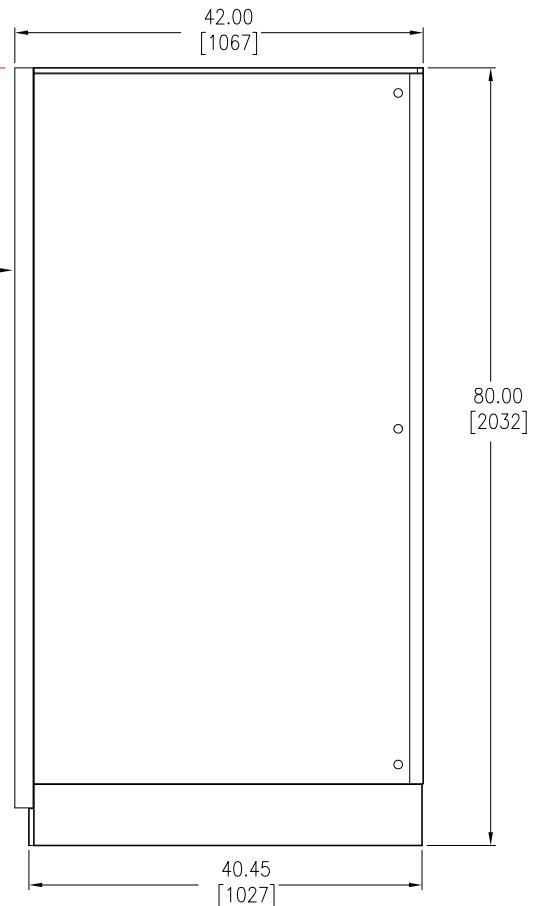
TOP VIEW



FRONT VIEW

12.00 [305]
CLEARANCE FOR VENTILATION

MINIMUM
SERVICE
CLEARANCE
PER
NATIONAL, STATE
& LOCAL CODES



SIDE VIEW

NOTES:

1. PLEASE REFER TO INSTALLATION GUIDE.
2. WEIGHT OF UNIT (TOTAL) = 1399 LBS [635.91 kg].
3. CABLE ENTRY IS TOP OF UNIT.
4. ALL DIMENSIONS ARE IN INCHES [MILLIMETERS].
5. INSTALLATION MUST COMPLY WITH ALL APPLICABLE NATIONAL AND LOCAL CODES.

THIS DRAWING AND SPECIFICATIONS HEREIN ARE THE PROPERTY OF AMERICAN POWER CONVERSION AND SHALL NOT BE COPIED, REPRODUCED OR USED IN WHOLE OR IN PART, AS THE BASIS FOR THE MANUFACTURE OR SALE OF ITEMS WITHOUT WRITTEN PERMISSION FROM APC. THIS DRAWING IS BASED UPON LATEST AVAILABLE INFORMATION AND IS SUBJECT TO CHANGE WITHOUT NOTICE.



TITLE: SYMMETRA MW UPS
480V AC 3PH, 2000KW
EXTERNAL STATIC SWITCH
TOP CABLE ENTRY OPTION
MAIN MECHANICAL

PROJECT: SUBMITTAL DRAWINGS SHEET 1 OF 5

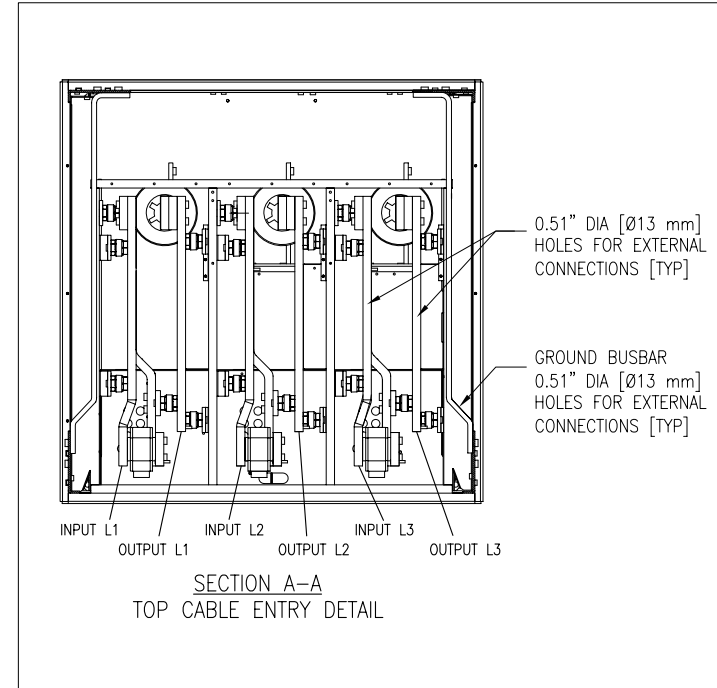
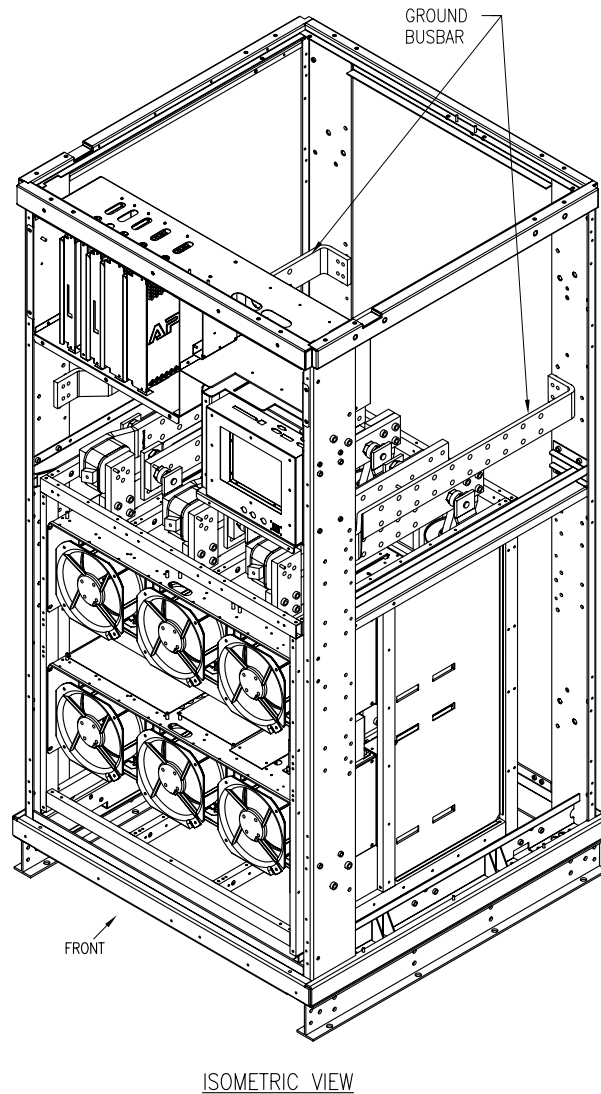
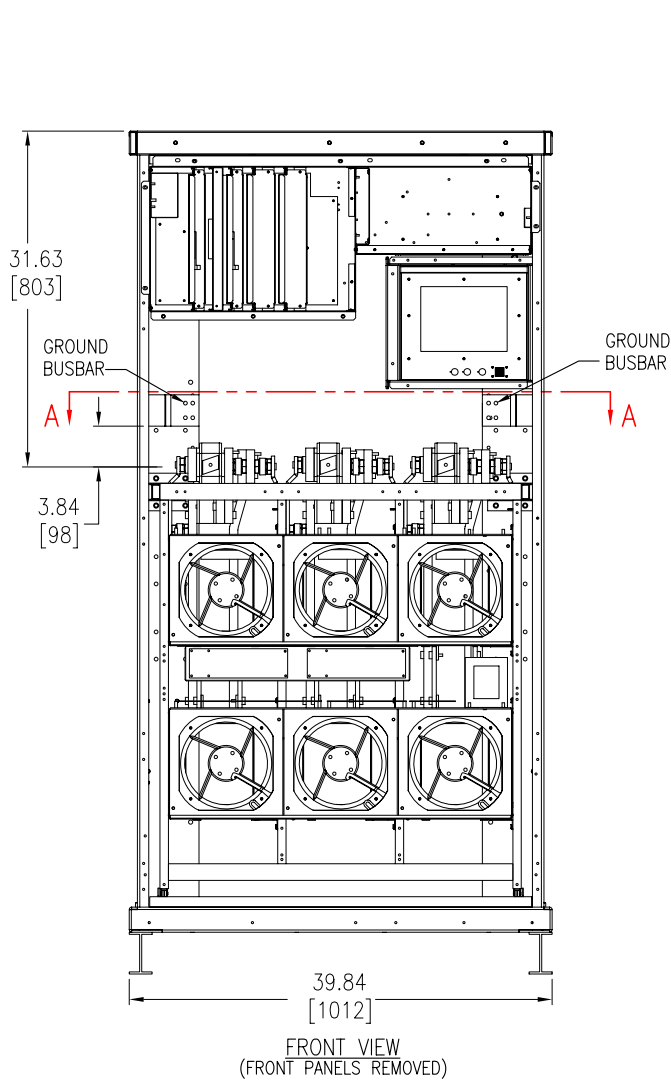
DWG NO: SYSSWT2000KG-MM REV. 6

DRAWN: K.NAGENDRA 08-APR-08

ENGINEER: E.HANSON/LDUJELUND 08-APR-08

APPROVED: B.SHERIDAN/E.SILVA 08-APR-08

THIRD ANGLE PROJECTION



NOTES:

1. PLEASE REFER TO INSTALLATION GUIDE.
2. SOME NON-ESSENTIAL MECHANICAL COMPONENTS HAVE BEEN OMITTED FOR PURPOSE OF CLARITY.
3. ALL DIMENSIONS ARE IN INCHES [MILLIMETERS].
4. INSTALLATION MUST COMPLY WITH ALL APPLICABLE NATIONAL AND LOCAL CODES.

THIS DRAWING AND SPECIFICATIONS HEREIN ARE THE PROPERTY OF AMERICAN POWER CONVERSION AND SHALL NOT BE COPIED, REPRODUCED OR USED IN WHOLE OR IN PART, AS THE BASIS FOR THE MANUFACTURE OR SALE OF ITEMS WITHOUT WRITTEN PERMISSION FROM APC. THIS DRAWING IS BASED UPON LATEST AVAILABLE INFORMATION AND IS SUBJECT TO CHANGE WITHOUT NOTICE.

APC
www.apc.com

TITLE: SYMMETRA MW UPS
480V AC 3PH, 2000KW
EXTERNAL STATIC SWITCH
TOP CABLE ENTRY OPTION
ELECTROMECHANICAL

PROJECT: SUBMITTAL DRAWINGS SHEET 2 OF 5

DWG NO: SYSSWT2000KG-ME1

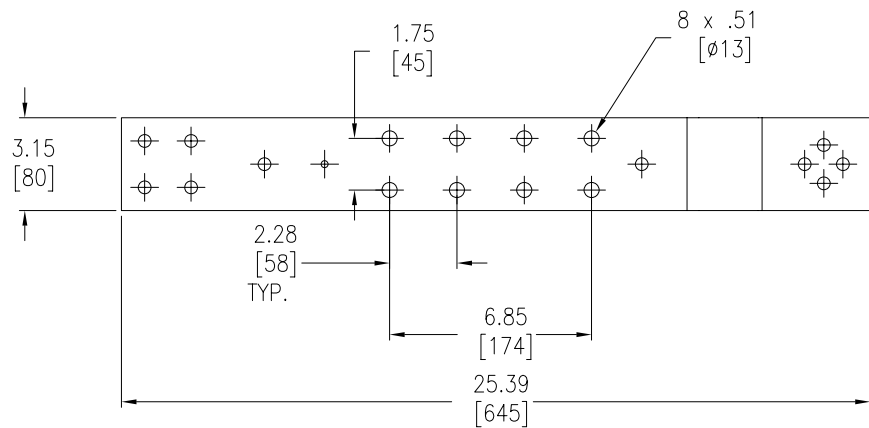
DRAWN: K.NAGENDRA 08-APR-08

ENGINEER: E.HANSON/L.DJELUND 08-APR-08

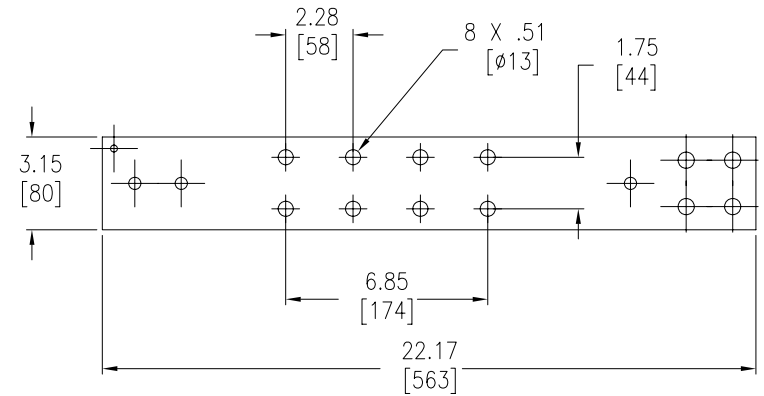
APPROVED: B.SHERIDAN/E.SILVA 08-APR-08

REV. 6

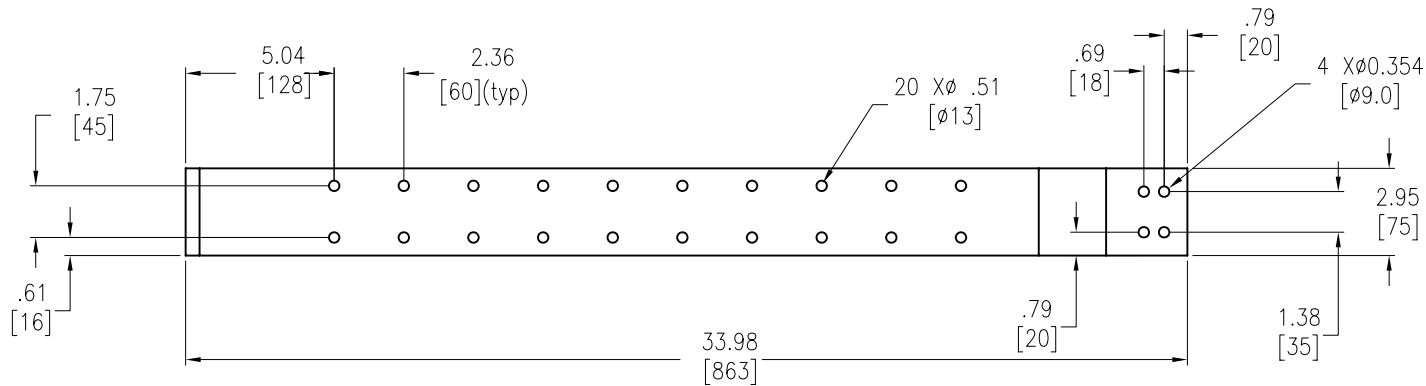
THIRD
ANGLE
PROJECTION



INPUT BUS DETAILS
 {Thickness-0.787[20.0]}



OUTPUT BUS BAR DETAIL
 {Thickness-0.787[20.0]}



GROUND BUS BAR DETAIL
 {Thickness-0.472[12.0]}

NOTES:

1. PLEASE REFER TO INSTALLATION GUIDE.
2. ALL DIMENSIONS ARE IN INCHES [MILLIMETERS].
3. INSTALLATION MUST COMPLY WITH ALL APPLICABLE NATIONAL AND LOCAL CODES.

THIS DRAWING AND SPECIFICATIONS HEREIN ARE THE PROPERTY OF AMERICAN POWER CONVERSION AND SHALL NOT BE COPIED, REPRODUCED OR USED IN WHOLE OR IN PART, AS THE BASIS FOR THE MANUFACTURE OR SALE OF ITEMS WITHOUT WRITTEN PERMISSION FROM APC. THIS DRAWING IS BASED UPON LATEST AVAILABLE INFORMATION AND IS SUBJECT TO CHANGE WITHOUT NOTICE.



TITLE: SYMMETRA MW UPS
 480V AC 3PH, 2000kW
 EXTERNAL STATIC SWITCH
 TOP CABLE ENTRY OPTION
 BUSBAR DETAILS

PROJECT: SUBMITTAL DRAWINGS SHEET 3 OF 5

DWG NO: SYSSWT2000KG-ME2

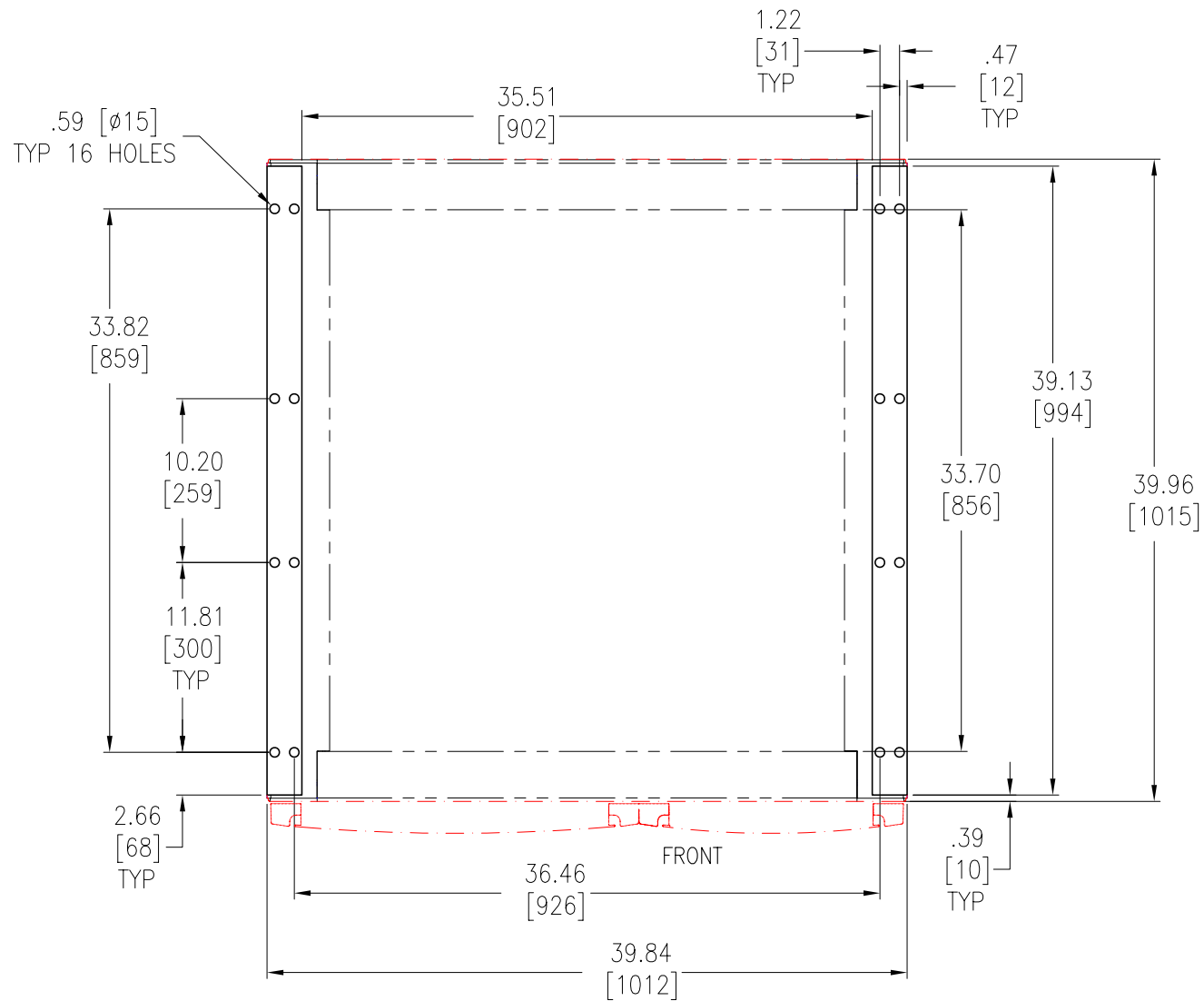
DRAWN: K.NAGENDRA 08-APR-08

ENGINEER: E.HANSON/LDJELUND 08-APR-08

APPROVED: B.SHERIDAN/E.SILVA 08-APR-08

REV. 6

THIRD ANGLE PROJECTION



FLOOR ANCHORING DETAILS

NOTES:

- PLEASE REFER TO INSTALLATION GUIDE FOR FLOOR ANCHORING PROCEDURE
- ALL DIMENSIONS ARE IN INCHES [MILLIMETERS]
- INSTALLATION MUST COMPLY WITH ALL APPLICABLE NATIONAL AND LOCAL CODES

THIS DRAWING AND SPECIFICATIONS HEREIN ARE THE PROPERTY OF AMERICAN POWER CONVERSION AND SHALL NOT BE COPIED, REPRODUCED OR USED IN WHOLE OR IN PART, AS THE BASIS FOR THE MANUFACTURE OR SALE OF ITEMS WITHOUT WRITTEN PERMISSION FROM APC. THIS DRAWING IS BASED UPON LATEST AVAILABLE INFORMATION AND IS SUBJECT TO CHANGE WITHOUT NOTICE.



TITLE: SYMMETRA MW UPS
480V AC 3PH, 2000kW
EXTERNAL STATIC SWITCH
TOP CABLE ENTRY OPTION
FLOOR ANCHORING

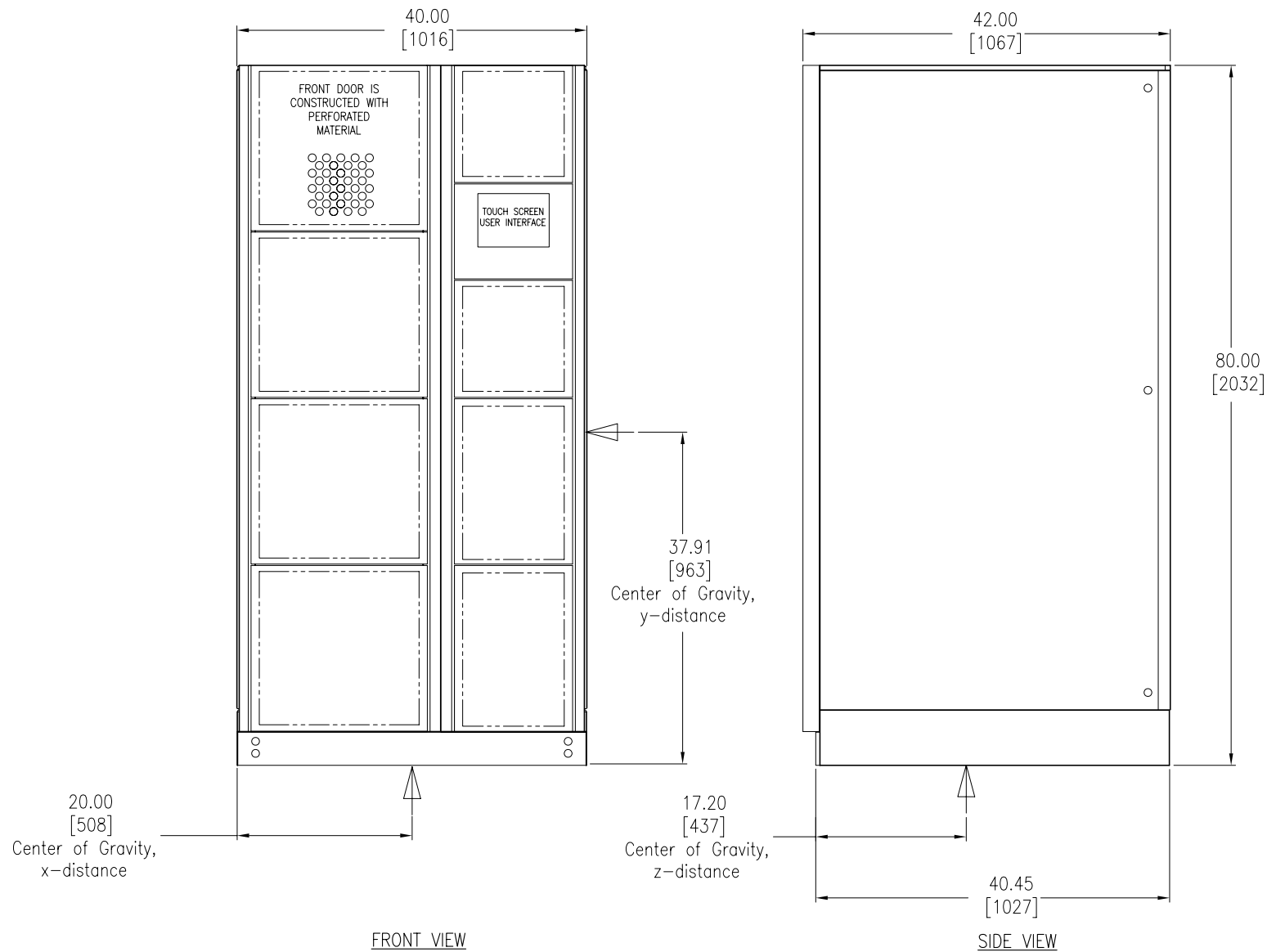
PROJECT: SUBMITTAL DRAWINGS **SHEET 4 OF 5**

DWG NO: SYSSWT2000KG-FA

DRAWN: K.NAGENDRA	08-APR-08
ENGINEER: E.HANSON/LDUJELUND	08-APR-08
APPROVED: B.SHERIDAN/E.SILVA	08-APR-08

REV. 7

THIRD ANGLE PROJECTION



NOTES:

1. PLEASE REFER TO INSTALLATION GUIDE
2. ALL DIMENSIONS ARE IN INCHES [MILLIMETERS]
3. INSTALLATION MUST COMPLY WITH ALL APPLICABLE NATIONAL AND LOCAL CODES

THIS DRAWING AND SPECIFICATIONS HEREIN ARE THE PROPERTY OF AMERICAN POWER CONVERSION AND SHALL NOT BE COPIED, REPRODUCED OR USED IN WHOLE OR IN PART, AS THE BASIS FOR THE MANUFACTURE OR SALE OF ITEMS WITHOUT WRITTEN PERMISSION FROM APC. THIS DRAWING IS BASED UPON LATEST AVAILABLE INFORMATION AND IS SUBJECT TO CHANGE WITHOUT NOTICE.



TITLE: SYMMETRA MW UPS
480V AC 3PH, 2000kW
EXTERNAL STATIC SWITCH
TOP CABLE ENTRY OPTION
CENTER OF GRAVITY

PROJECT: SUBMITTAL DRAWINGS SHEET 5 OF 5

DWG NO: SYSSWT2000KG-CG

DRAWN: K.NAGENDRA	08-APR-08
ENGINEER: E.HANSON/L.DJELUND	08-APR-08
APPROVED: B.SHERIDAN/E.SILVA	08-APR-08

REV. 6
THIRD ANGLE PROJECTION