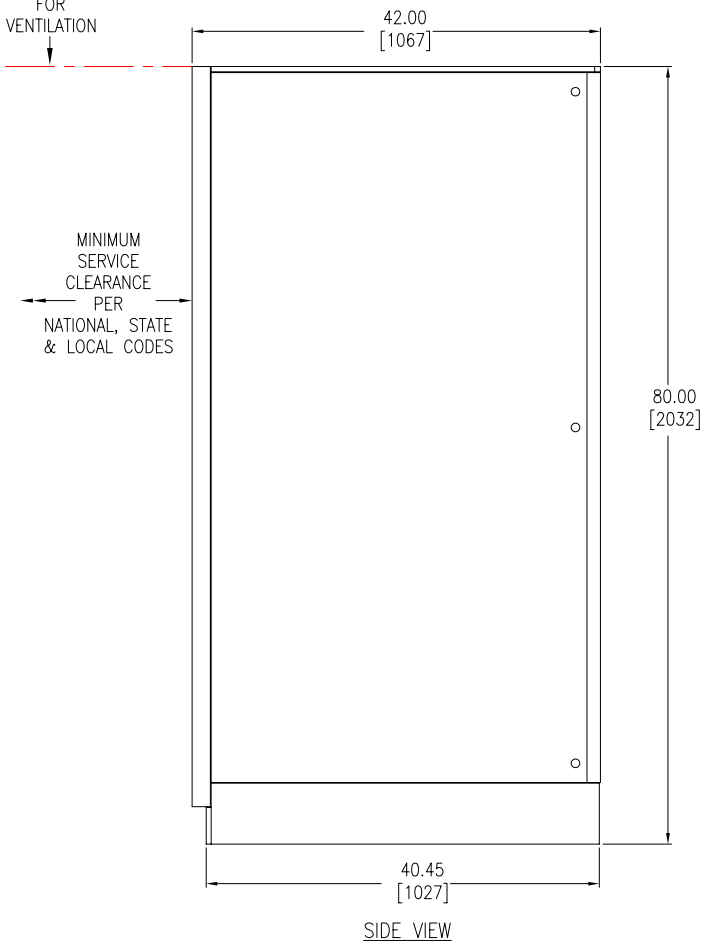
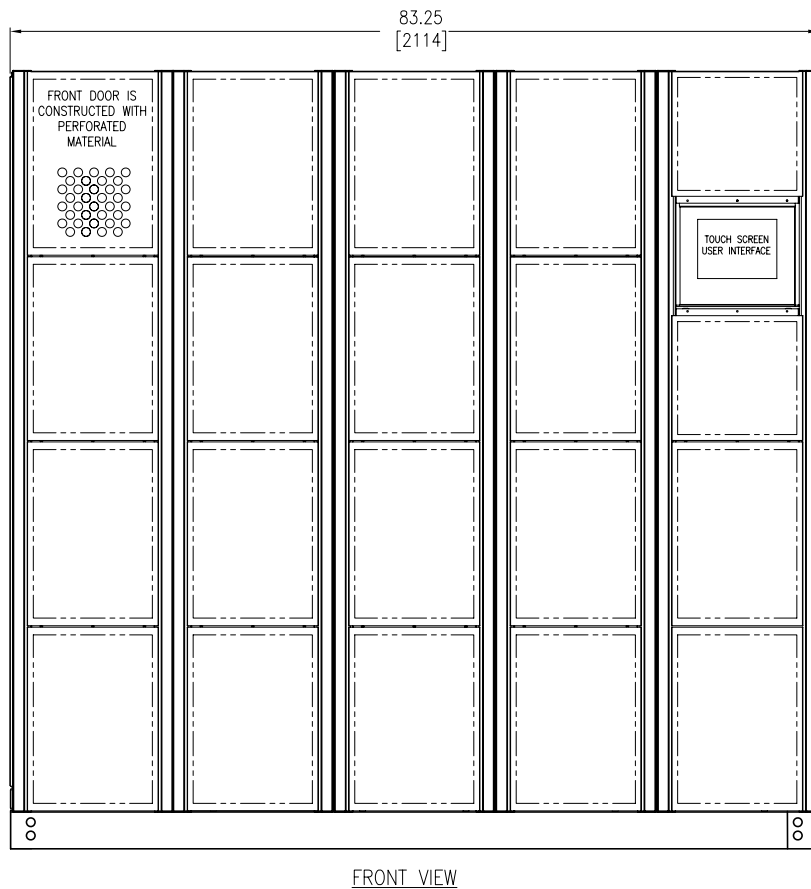


12.00 [305]
CLEARANCE
FOR
VENTILATION



NOTES:

1. INSTALLATION MUST COMPLY WITH ALL APPLICABLE NATIONAL AND LOCAL CODES.
2. PLEASE REFER TO THE PRODUCT MANUALS FOR DETAILED INFORMATION.
3. ALL DIMENSIONS ARE IN INCHES [MILLIMETERS].
4. WEIGHT OF UNIT (TOTAL) = 3062 LBS [1390 kg].
5. CABLE ENTRY IS TOP OF UNIT.

THIS DRAWING AND SPECIFICATIONS HEREIN ARE THE PROPERTY OF AMERICAN POWER CONVERSION AND SHALL NOT BE COPIED, REPRODUCED OR USED IN WHOLE OR IN PART, AS THE BASIS FOR THE MANUFACTURE OR SALE OF ITEMS WITHOUT WRITTEN PERMISSION FROM APC. THIS DRAWING IS BASED UPON LATEST AVAILABLE INFORMATION AND IS SUBJECT TO CHANGE WITHOUT NOTICE.



TITLE: SYMMETRA MW UPS
480V AC 3PH, 4000kW
EXTERNAL STATIC SWITCH
TOP CABLE ENTRY OPTION
MAIN MECHANICAL

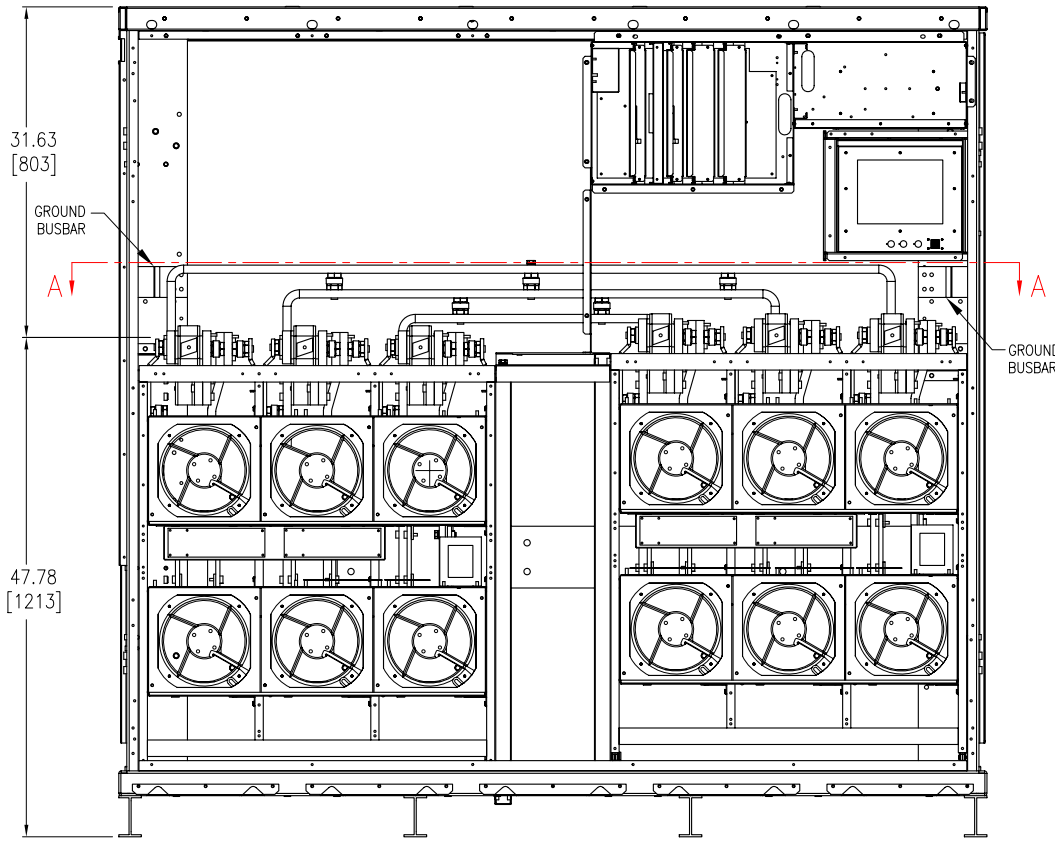
PROJECT: SUBMITTAL DRAWINGS SHEET 1 OF 6

DWG NO: SYSSWT4000KG-MM

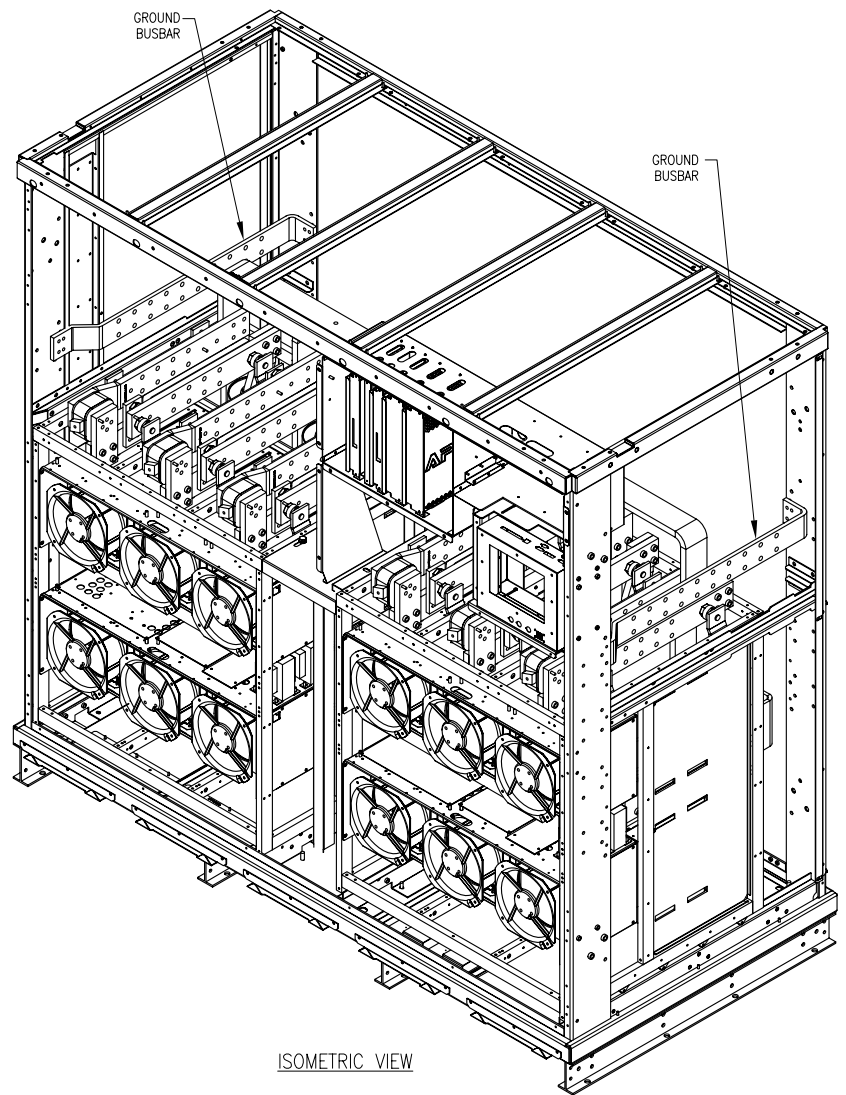
DRAWN: K.NAGENDRA	08-APR-08
ENGINEER: E.HANSON/LDUJELUND	08-APR-08
APPROVED: B.SHERIDAN/E.SILVA	08-APR-08

REV. 3

THIRD ANGLE PROJECTION



FRONT VIEW
(FRONT PANELS REMOVED)



ISOMETRIC VIEW

NOTES:

1. PLEASE REFER TO THE PRODUCT MANUALS FOR DETAILED INFORMATION.
2. ALL DIMENSIONS ARE IN INCHES [MILLIMETERS].
3. SOME MECHANICAL DETAILS HAVE BEEN OMITTED FOR CLARITY.
4. INSTALLATION MUST COMPLY WITH ALL APPLICABLE NATIONAL AND LOCAL CODES.

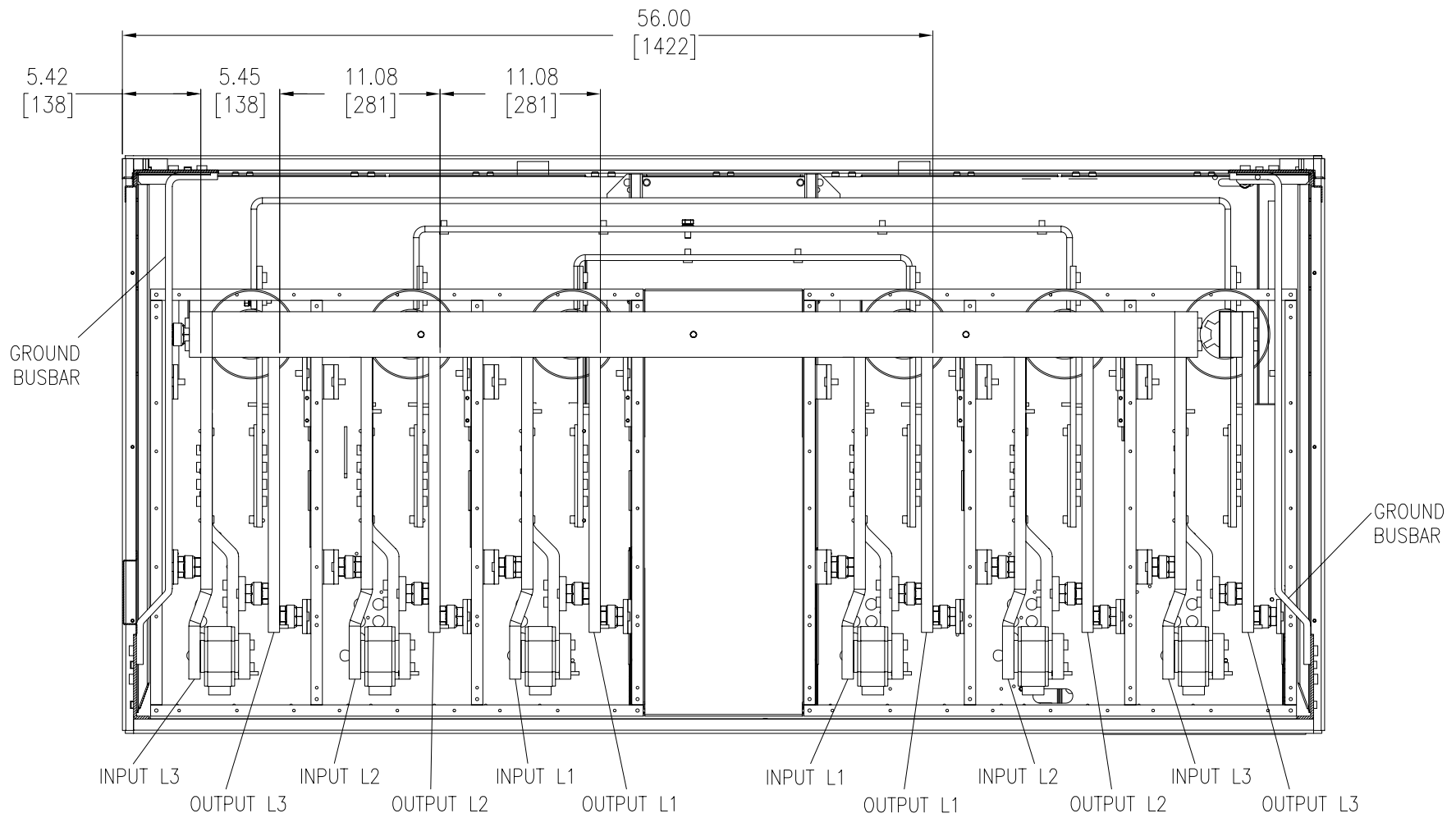
THIS DRAWING AND SPECIFICATIONS HEREIN ARE THE PROPERTY OF AMERICAN POWER CONVERSION AND SHALL NOT BE COPIED, REPRODUCED OR USED IN WHOLE OR IN PART, AS THE BASIS FOR THE MANUFACTURE OR SALE OF ITEMS WITHOUT WRITTEN PERMISSION FROM APC. THIS DRAWING IS BASED UPON LATEST AVAILABLE INFORMATION AND IS SUBJECT TO CHANGE WITHOUT NOTICE.



TITLE: SYMMETRA MW UPS
480V AC 3PH, 4000kW
EXTERNAL STATIC SWITCH
TOP CABLE ENTRY OPTION
ELECTROMECHANICAL-FRONT

PROJECT: SUBMITTAL DRAWINGS SHEET 2 OF 6

DWG NO:	SYSSWT4000KG-ME1	REV:	3
DRAWN:	K.NAGENDRA	08-APR-08	THIRD ANGLE PROJECTION
ENGINEER:	E.HANSON/L.DUELUND	08-APR-08	
APPROVED:	B.SHERIDAN/E.SILVA	08-APR-08	



SECTION A-A
TOP CABLE ENTRY DETAIL

NOTES:

1. INSTALLATION MUST COMPLY WITH ALL APPLICABLE NATIONAL AND LOCAL CODES.
2. ALL DIMENSIONS ARE IN INCHES [MILLIMETERS].
3. SOME MECHANICAL DETAILS HAVE BEEN OMITTED FOR CLARITY.
4. CABLES MUST BE TERMINATED TO BOTH SETS OF BUS BARS.
CROSS BUS IS FOR LOAD BALANCING ONLY.

THIS DRAWING AND SPECIFICATIONS HEREIN ARE THE PROPERTY OF AMERICAN POWER CONVERSION AND SHALL NOT BE COPIED, REPRODUCED OR USED IN WHOLE OR IN PART, AS THE BASIS FOR THE MANUFACTURE OR SALE OF ITEMS WITHOUT WRITTEN PERMISSION FROM APC. THIS DRAWING IS BASED UPON LATEST AVAILABLE INFORMATION AND IS SUBJECT TO CHANGE WITHOUT NOTICE.



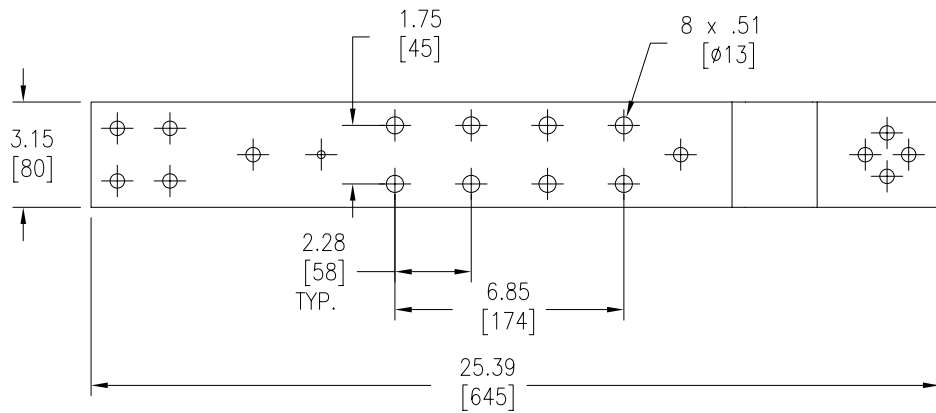
TITLE: SYMMETRA MW UPS
480V AC 3PH, 4000kW
EXTERNAL STATIC SWITCH
TOP CABLE ENTRY OPTION
ELECTROMECHANICAL-TOP

PROJECT: SUBMITTAL DRAWINGS SHEET 3 OF 6

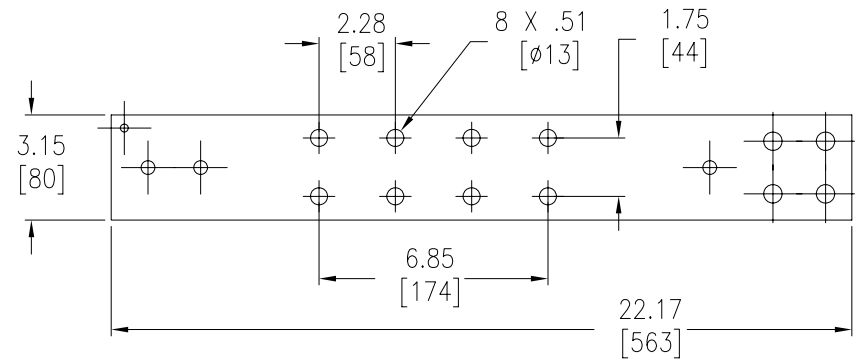
DWG NO: SYSSWT4000KG-ME2

DRAWN: JAYAPRAKASH	18-JUL-08
ENGINEER: E.HANSON/L.DUELUND	18-JUL-08
APPROVED: B.SHERIDAN/E.SILVA	18-JUL-08

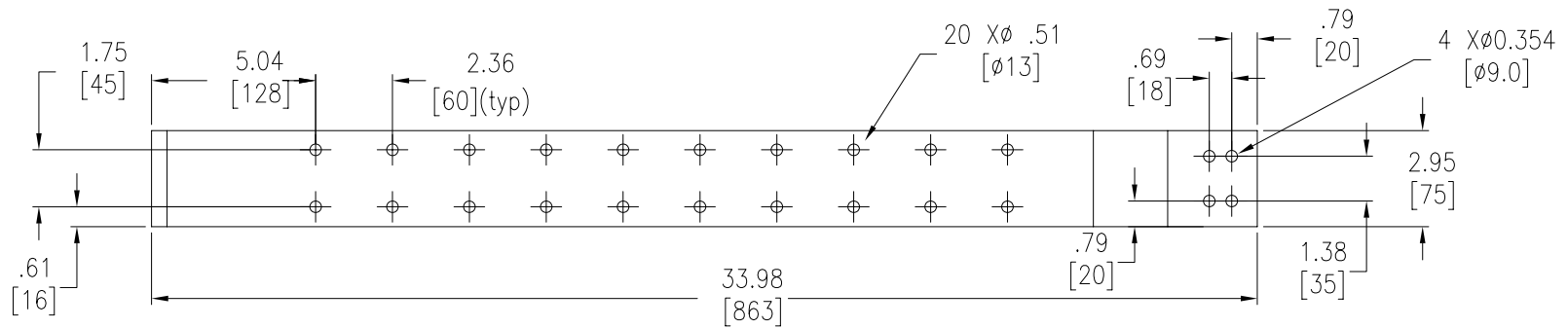
REV. 4
THIRD ANGLE PROJECTION



INPUT BUS DETAILS
 {Thickness-0.787[20.0]}



OUTPUT BUS BAR DETAIL
 {Thickness-0.787[20.0]}



GROUND BUS BAR DETAIL
 {Thickness-0.472[12.0]}

NOTES:

1. ALL DIMENSIONS ARE IN INCHES [MILLIMETERS].
2. INSTALLATION MUST COMPLY WITH ALL APPLICABLE NATIONAL AND LOCAL CODES.

THIS DRAWING AND SPECIFICATIONS HEREIN ARE THE PROPERTY OF AMERICAN POWER CONVERSION AND SHALL NOT BE COPIED, REPRODUCED OR USED IN WHOLE OR IN PART, AS THE BASIS FOR THE MANUFACTURE OR SALE OF ITEMS WITHOUT WRITTEN PERMISSION FROM APC. THIS DRAWING IS BASED UPON LATEST AVAILABLE INFORMATION AND IS SUBJECT TO CHANGE WITHOUT NOTICE.



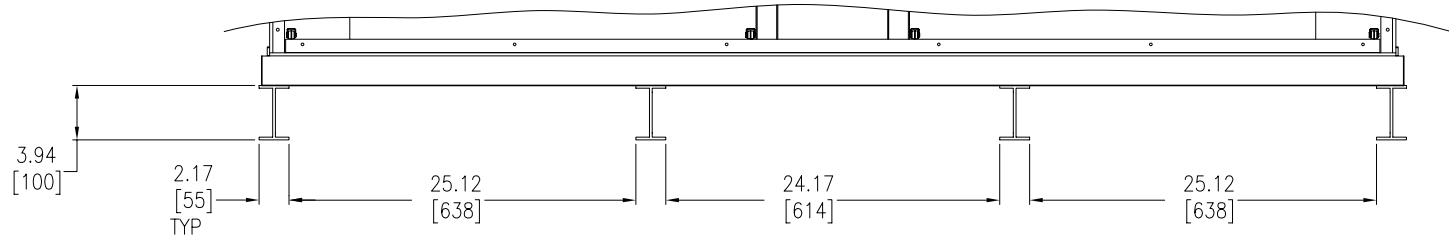
TITLE: SYMMETRA MW UPS
 480V AC 3PH, 4000kW
 EXTERNAL STATIC SWITCH
 TOP CABLE ENTRY OPTION
 ELECTROMECHANICAL-BUSBARS

PROJECT: SUBMITTAL DRAWINGS SHEET 4 OF 6

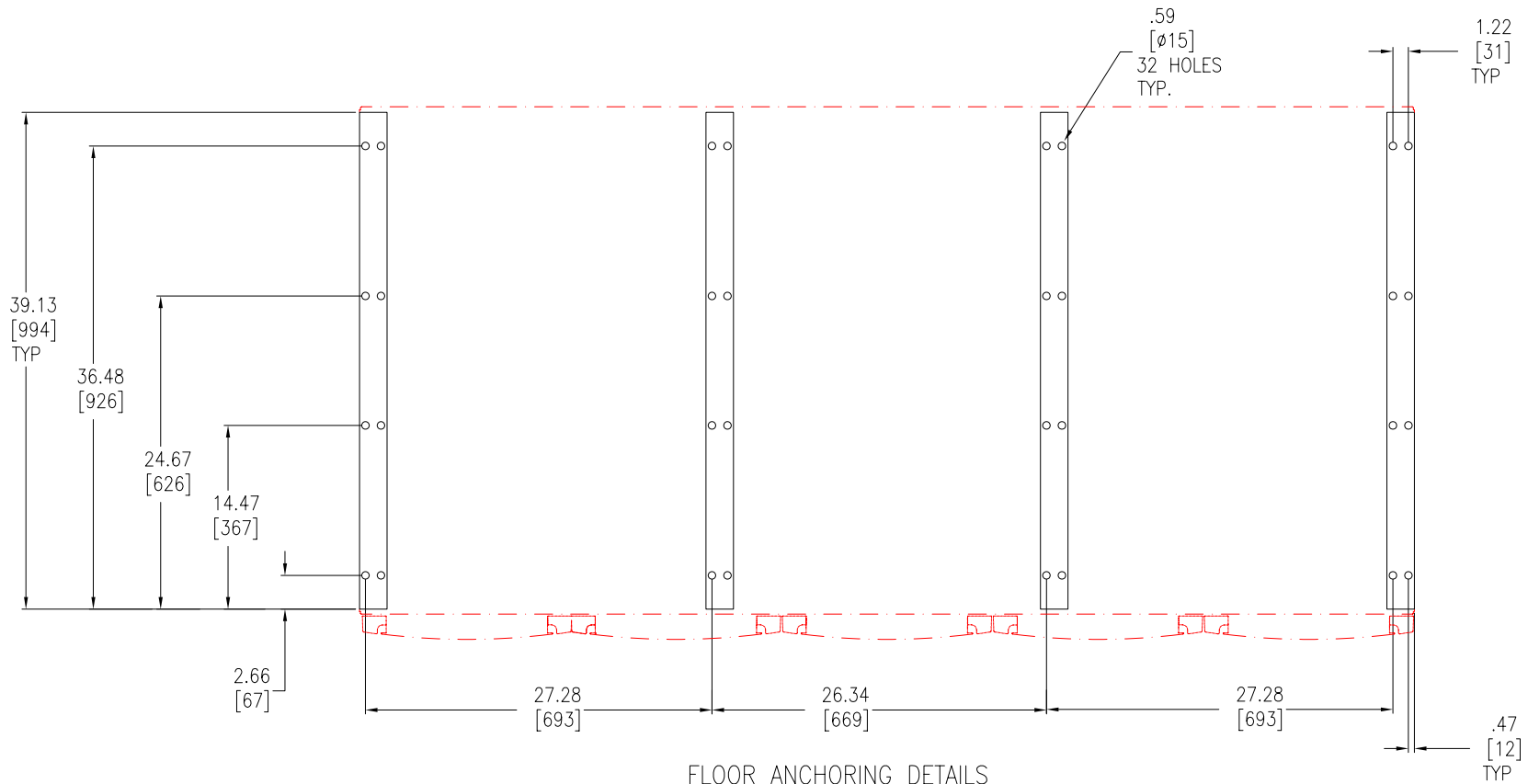
DWG NO: SYSSWT4000KG-ME3

DRAWN: K.NAGENDRA	08-APR-08
ENGINEER: E.HANSON/L.DJELUND	08-APR-08
APPROVED: B.SHERIDAN/E.SILVA	08-APR-08

REV. 3
 THIRD ANGLE PROJECTION



FRONT VIEW DETAILS
(FRONT PANELS REMOVED)



FLOOR ANCHORING DETAILS

NOTES:

- PLEASE REFER TO THE PRODUCT MANUALS FOR FLOOR ANCHORING PROCEDURE.
- ALL DIMENSIONS ARE IN INCHES [MILLIMETERS].
- INSTALLATION MUST COMPLY WITH ALL APPLICABLE NATIONAL AND LOCAL CODES.

THIS DRAWING AND SPECIFICATIONS HEREIN ARE THE PROPERTY OF AMERICAN POWER CONVERSION AND SHALL NOT BE COPIED, REPRODUCED OR USED IN WHOLE OR IN PART, AS THE BASIS FOR THE MANUFACTURE OR SALE OF ITEMS WITHOUT WRITTEN PERMISSION FROM APC. THIS DRAWING IS BASED UPON LATEST AVAILABLE INFORMATION AND IS SUBJECT TO CHANGE WITHOUT NOTICE.



TITLE: SYMMETRA MW UPS
480V AC 3PH, 4000kW
EXTERNAL STATIC SWITCH
TOP CABLE ENTRY OPTION
FLOOR ANCHORING

PROJECT: SUBMITTAL DRAWINGS SHEET 5 OF 6

DWG NO: SYSSWT4000KG-FA

DRAWN: K.NAGENDRA 08-APR-08

ENGINEER: E.HANSON/LDUELLUND 08-APR-08

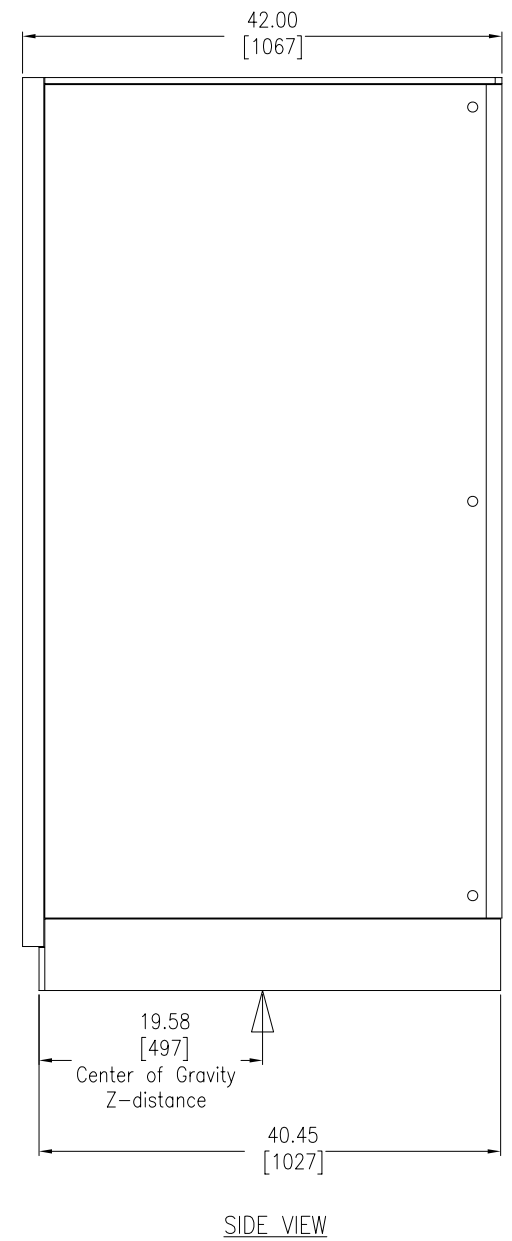
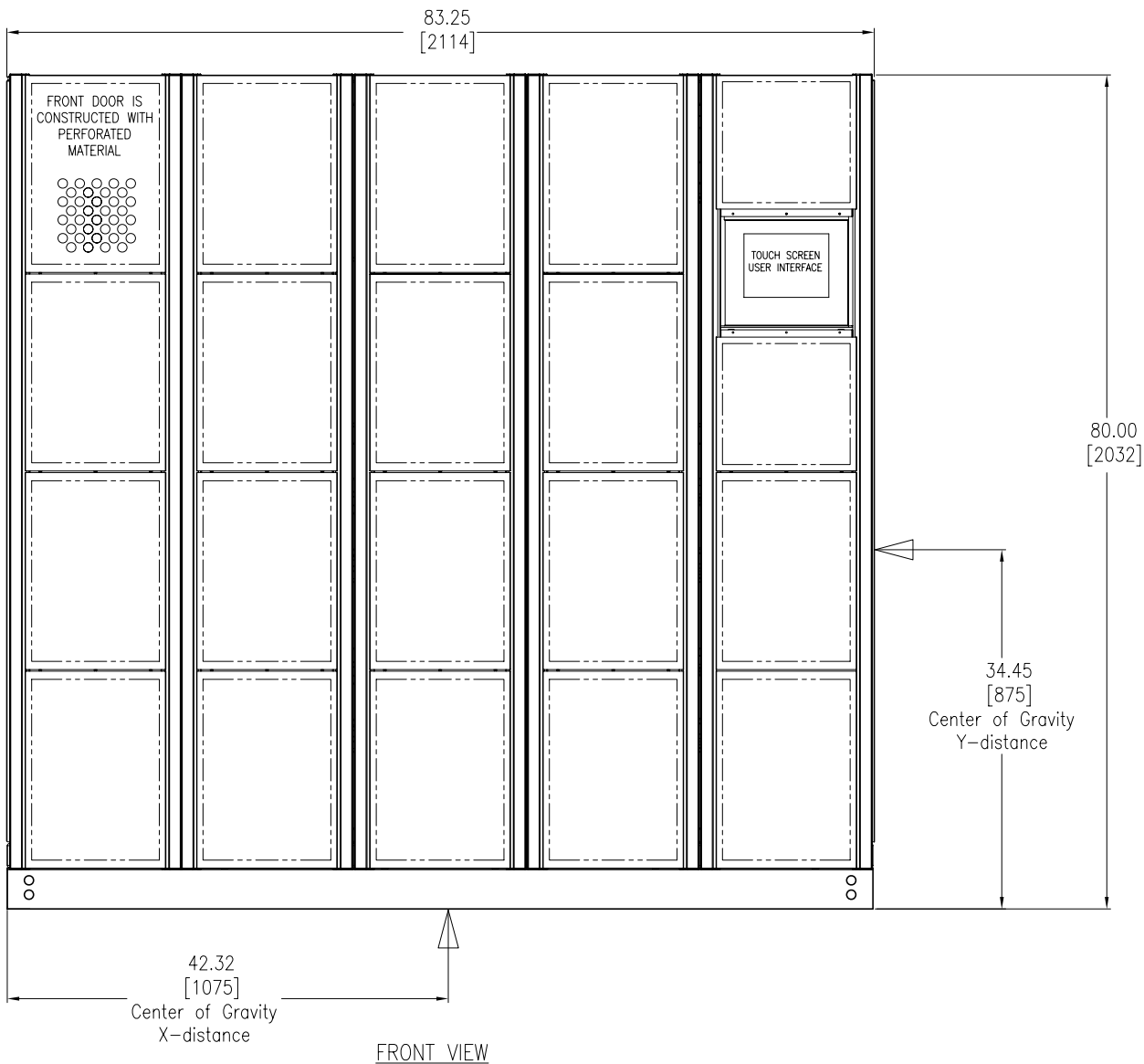
APPROVED: B.SHERIDAN/E.SILVA 08-APR-08

REV. 4

THIRD

ANGLE

PROJECTION



NOTES:

- PLEASE REFER TO THE PRODUCT MANUALS FOR DETAILED INFORMATION.
- ALL DIMENSIONS ARE IN INCHES [MILLIMETERS].
- INSTALLATION MUST COMPLY WITH NATIONAL AND LOCAL ELECTRICAL REGULATIONS.

THIS DRAWING AND SPECIFICATIONS HEREIN ARE THE PROPERTY OF AMERICAN POWER CONVERSION AND SHALL NOT BE COPIED, REPRODUCED OR USED IN WHOLE OR IN PART, AS THE BASIS FOR THE MANUFACTURE OR SALE OF ITEMS WITHOUT WRITTEN PERMISSION FROM APC. THIS DRAWING IS BASED UPON LATEST AVAILABLE INFORMATION AND IS SUBJECT TO CHANGE WITHOUT NOTICE.



TITLE: SYMMETRA MW UPS
480V AC 3PH, 4000kW
EXTERNAL STATIC SWITCH
TOP CABLE ENTRY OPTION
CENTER OF GRAVITY

DWG NO: SYSSWT4000KG-CG

REV. 3

DRAWN: K.NAGENDRA 08-APR-08

ENGINEER: E.HANSON/LDUELUND 08-APR-08

APPROVED: B.SHERIDAN/E.SILVA 08-APR-08

PROJECT: SUBMITTAL DRAWINGS SHEET 6 OF 6

THIRD ANGLE PROJECTION