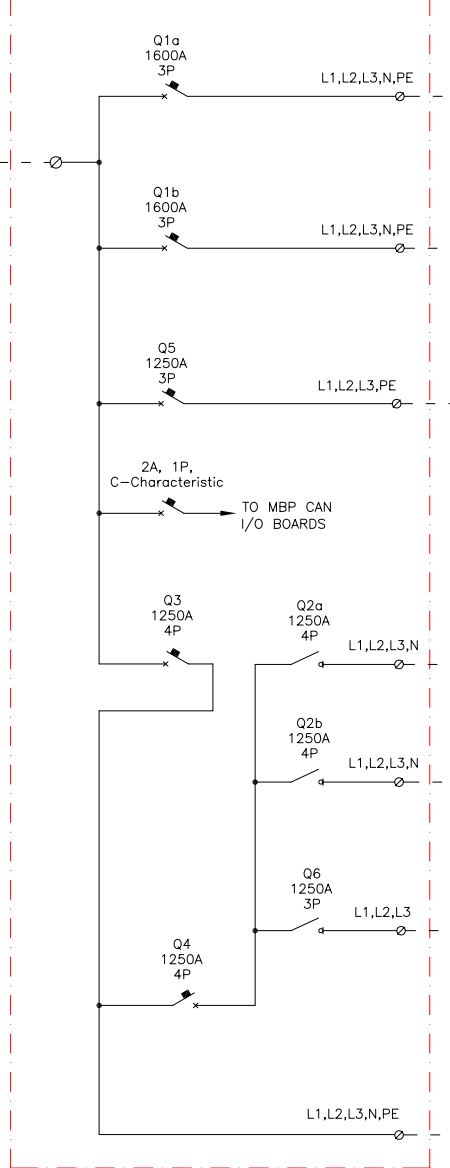


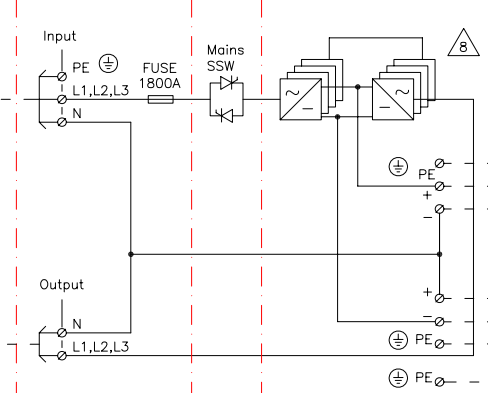
MAINS PROVIDED BY OTHERS
3x400/230V, 50Hz
TN-S

MAINTENANCE BYPASS PANEL (MBP)

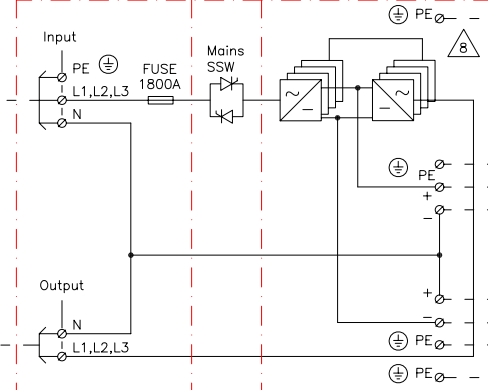


UPS SYSTEM OUTPUT
800kW, 3x400/230V
TN-S

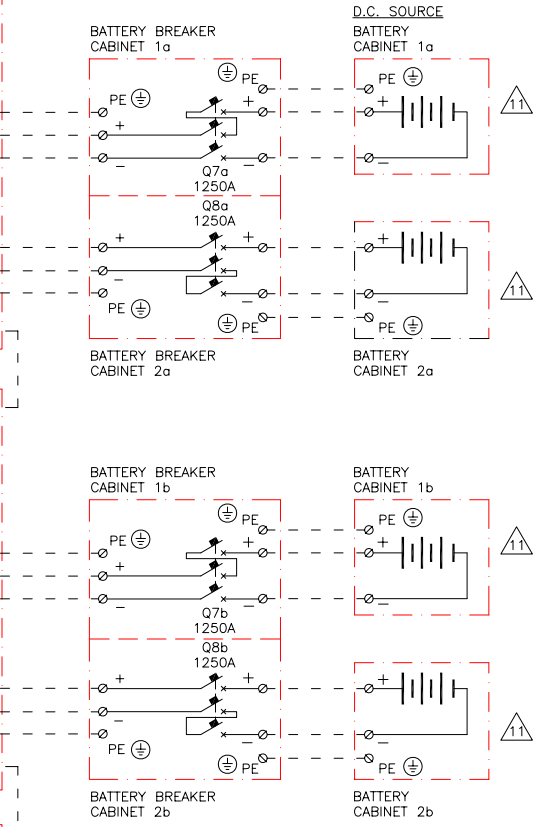
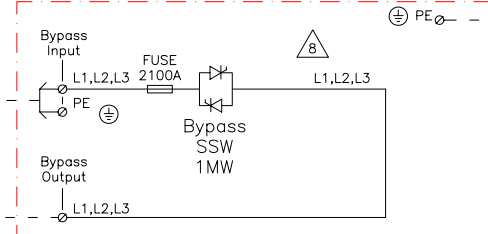
SYMMETRA MW-a



SYMMETRA MW-b



EXTERNAL BYPASS SWITCH



- NOTES:
- INSTALLATION SHALL COMPLY WITH ALL APPLICABLE NATIONAL, STATE AND LOCAL ELECTRICAL REGULATIONS.
 - PLEASE REFER TO PRODUCT MANUALS FOR ADDITIONAL DETAILS PRIOR TO INSTALLATION AND SITE PREPARATION WORK.
 - MAINS 3x400/230V TN-S (PROVIDED BY OTHERS)
 - Q1 - Q6 WITH 2NO/2NC AUXILIARY CONTACTS.
 - Q7, Q8 DC RATED THERMAL MAGNETIC TRIP MOLDED CASE CIRCUIT BREAKER WITH 24VOLT DC UNDERVOLTAGE RELEASE (UVR) AND 2NO/2NC AUXILIARY CONTACTS.
 - ALL AC POWER CABLING IS L1,L2,L3,N,PE
 - UPS INPUT AND OUTPUT CONDUCTORS MUST BE IN SEPARATE CABLE RUNS.
 - UPS AND STATIC BYPASS WITHSTAND RATING (Icw) = 200kA
 - PLEASE REFER TO THE INSTALLATION MANUAL FOR THE BREAKER SETTINGS OF Q1,Q3,Q4 AND Q5
 - DC CABLING SHOULD BE SEGREGATED FROM AC CABLING
 - SEE BATTERY INSTALLATION INFORMATION
 - POWER WIRING AND CONTROL WIRING SHOULD BE SEGREGATED.
 - AC CIRCUIT CABLE LENGTHS (INPUT AND OUTPUT) SHOULD BE EQUAL ON ALL MODULES
 - DC CIRCUIT CABLE LENGTHS SHOULD BE EQUAL ON ALL MODULES
 - = CABLING PROVIDED BY OTHERS
 - ALL DATA IN THIS DRAWING PROVIDED FOR FULLY POPULATED UNIT.

THIS DRAWING AND SPECIFICATIONS HEREIN ARE THE PROPERTY OF SCHNEIDER ELECTRIC AND SHALL NOT BE COPIED, REPRODUCED OR USED IN WHOLE OR IN PART, AS THE BASIS FOR THE MANUFACTURE OR SALE OF ITEMS WITHOUT WRITTEN PERMISSION FROM SCHNEIDER ELECTRIC. THIS DRAWING IS BASED UPON LATEST AVAILABLE INFORMATION AND IS SUBJECT TO CHANGE WITHOUT NOTICE.



TITLE: SYMMETRA MW
Input: 400V 3PH SINGLE MAINS
Output: 400V 3PH 2x800kW N+1
2M0D N+1 UPS WITH MBP AND BATT. CABINET
SYSTEM ONE LINE DIAGRAM

DWG NO:	SYMF800K800H1R2-SD	REV:	3
DRAWN:	BALAMURUGAN	14-DEC-11	ANGLE
ENGINEER:	S.ANDERSEN	14-DEC-11	PROJECTION:
APPROVED:	C.LARSEN	14-DEC-11	N/A
PROJECT:	SUBMITTAL DRAWINGS	SHEET 1 OF 1	