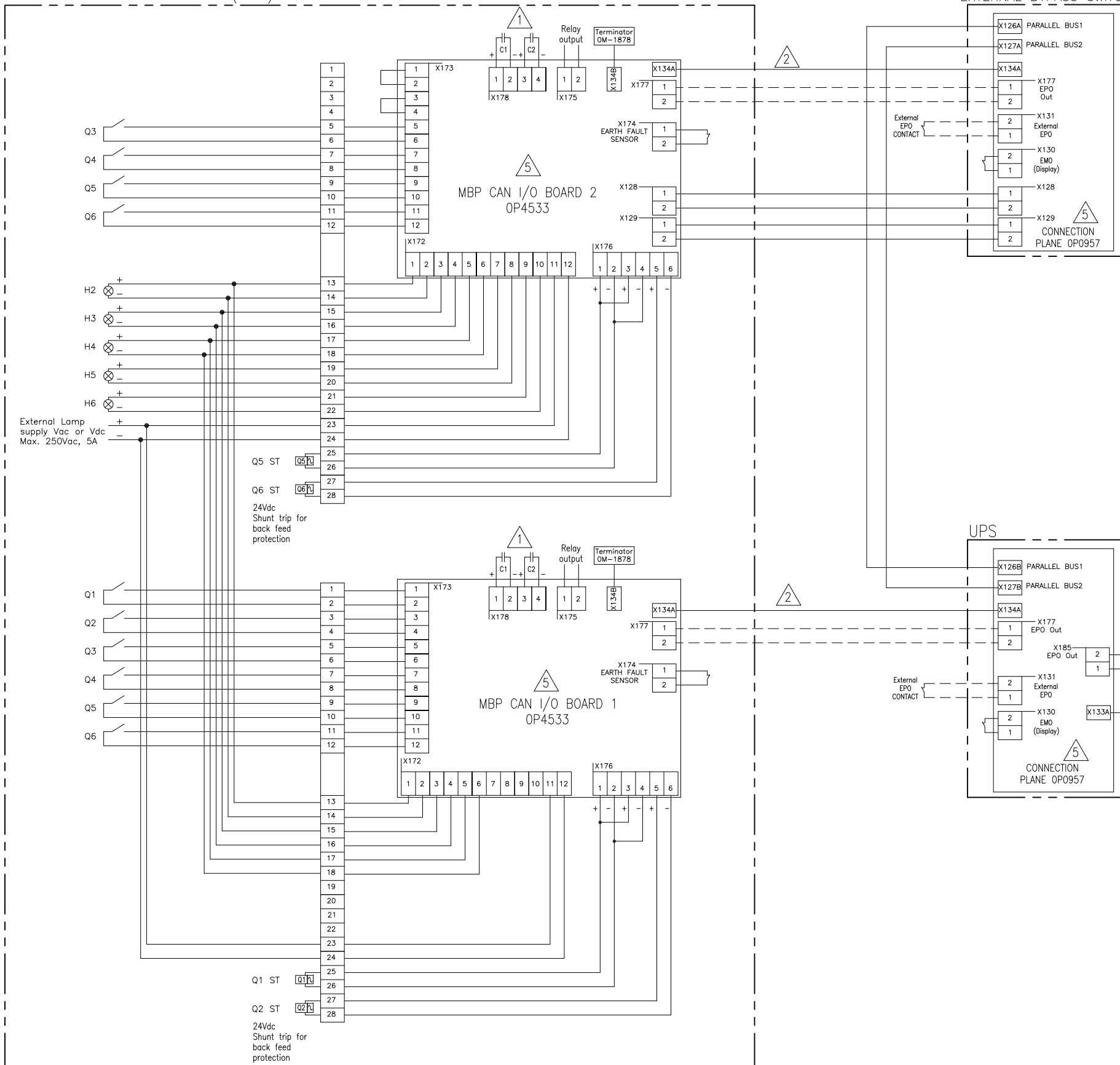
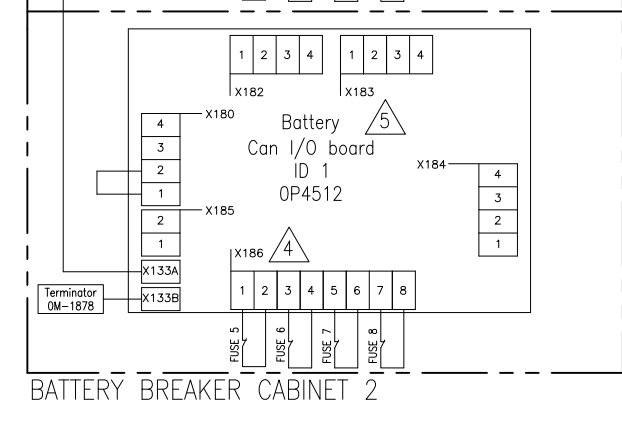
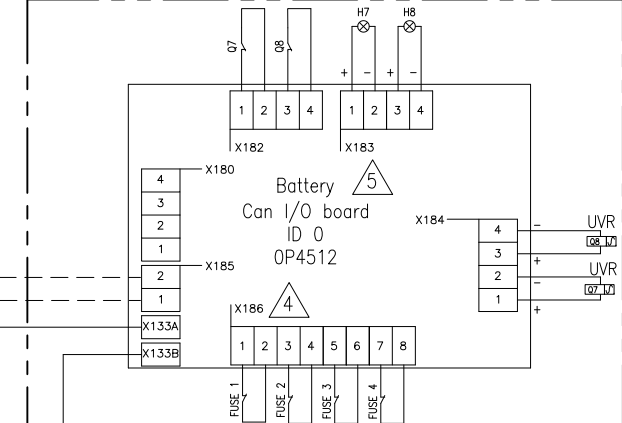


MAINTENANCE BYPASS PANEL (MBP)

EXTERNAL BYPASS SWITCH



BATTERY BREAKER CABINET 1



- NOTES:
- △ 1. THE CAPACITORS ARE ENERGY STORAGE FOR EPO WHEN NO OTHER SOURCE IS AVAILABLE
C1 = B41456-B7339-M = 33000µF (202-0333), C2 = B41456-B7339-M = 33000µF (202-0333).
 - △ 2. 15 CONDUCTOR IS SHEILDED TWISTED PAIR PROVIDED BY APC.
 - 3. - - - - - = EPO WIRING OPTIONAL.
 - △ 4. IF BATTERY CABINET FUSES ARE NOT PRESENT, THE TERMINALS WILL HAVE TO BE FITTED WITH JUMPERS.
 - △ 5. FOR BOARD PART NUMBERS CHECK THE LATEST REVISIONS.
 - 6. INSTALLATION MUST COMPLY WITH NATIONAL AND LOCAL ELECTRICAL REGULATIONS.

THIS DRAWING AND SPECIFICATIONS HEREIN ARE THE PROPERTY OF SCHNEIDER ELECTRIC AND SHALL NOT BE COPIED, REPRODUCED OR USED IN WHOLE OR IN PART, AS THE BASIS FOR THE MANUFACTURE OR SALE OF ITEMS WITHOUT WRITTEN PERMISSION FROM SCHNEIDER ELECTRIC. THIS DRAWING IS BASED UPON LATEST AVAILABLE INFORMATION AND IS SUBJECT TO CHANGE WITHOUT NOTICE.



| | | | | | | |
|----------|--|-------|---------|---------------------|-----------------|-----------------|
| TITLE: | SYMMETRA MW 400V, 3ø, 1x1600kW SYSTEM WIRING DIAGRAM | | DWG NO: | SYMF1600K1600HC1-WD | REV: | 5 |
| PROJECT: | STD SUBMITTAL DRAWINGS | SHEET | 1 OF 1 | DRAWN: | S CUNHA | 30-DEC-10 |
| | | | | ENGINEER: | S ANDERSEN | 30-DEC-10 |
| | | | | APPROVED: | C LARSEN/S WAGN | 30-DEC-10 |
| | | | | | | PROJ. ANGLE N/A |