

NOTES:

1. INSTALLATION MUST COMPLY WITH ALL APPLICABLE NATIONAL AND LOCAL ELECTRICAL REGULATIONS.
2. PLEASE REFER TO THE PRODUCT MANUALS FOR DETAILED INFORMATION.
3. ALL DIMENSIONS ARE IN MILLIMETERS, UNLESS OTHERWISE SPECIFIED.
4. WEIGHT OF UNIT (TOTAL) = 460 kg.
5. TOP CABLE ENTRY ONLY.

THIS DRAWING AND SPECIFICATIONS HEREIN ARE THE PROPERTY OF AMERICAN POWER CONVERSION AND SHALL NOT BE COPIED, REPRODUCED OR USED IN WHOLE OR IN PART, AS THE BASIS FOR THE MANUFACTURE OR SALE OF ITEMS WITHOUT WRITTEN PERMISSION FROM APC. THIS DRAWING IS BASED UPON LATEST AVAILABLE INFORMATION AND IS SUBJECT TO CHANGE WITHOUT NOTICE.



TITLE: SYMMETRA MW UPS
400V AC, 3PH, 1000KW
EXTERNAL STATIC SWITCH
TOP CABLE ENTRY OPTION
MAIN MECHANICAL

DWG NO: SYSSWT1000KH-MM

REV. 4

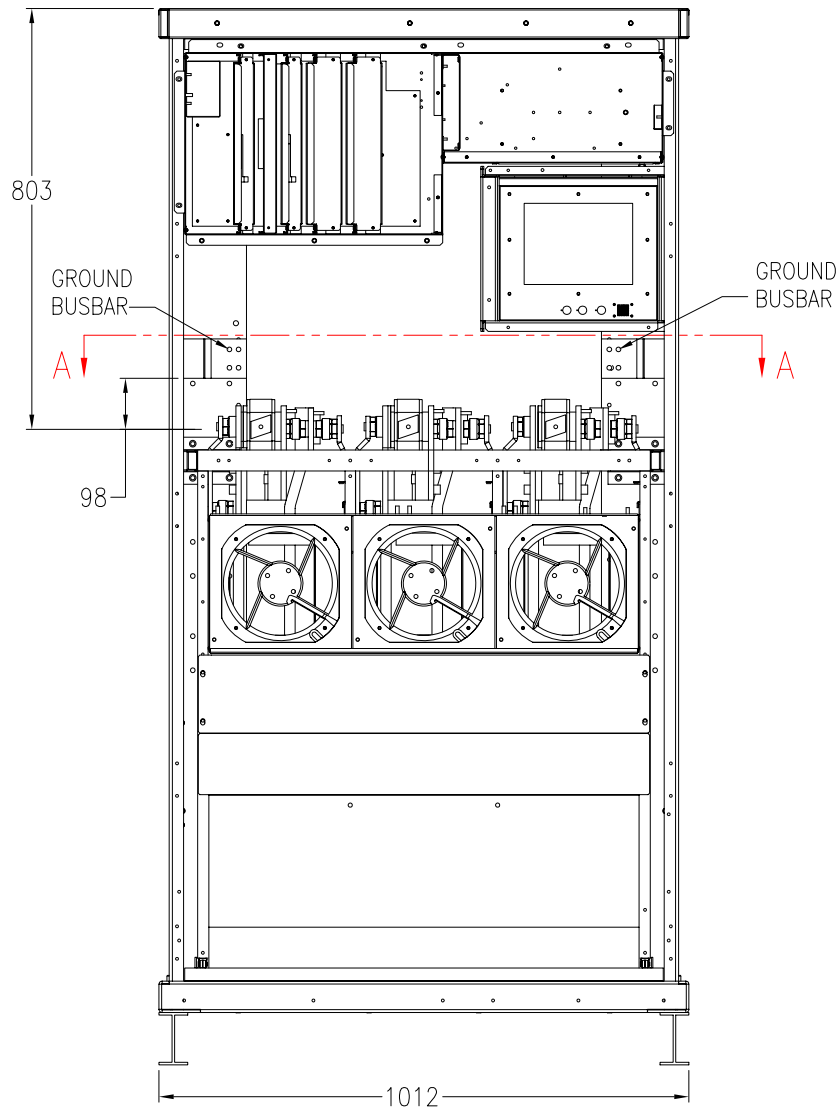
DRAWN: JAYAPRAKASH 22-SEP-08

ENGINEER: L.DUELUND 22-SEP-08

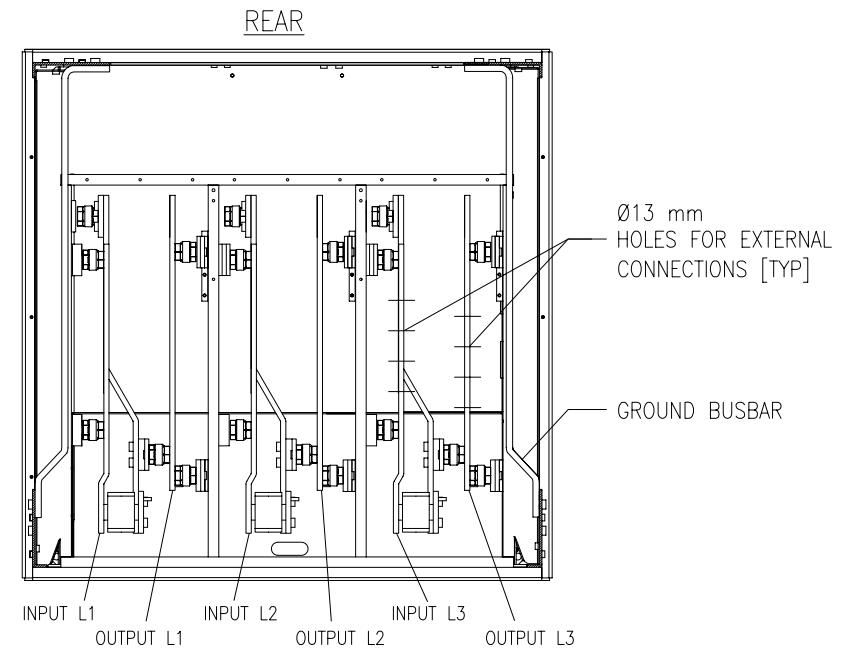
APPROVED: C LARSEN/S WAGH 22-SEP-08

PROJECT: SUBMITTAL DRAWINGS SHEET 1 OF 5

FIRST
ANGLE
PROJECTION



FRONT VIEW (PANELS REMOVED)



SECTION A-A
TOP CABLE ENTRY DETAIL

- NOTES:
1. INSTALLATION MUST COMPLY WITH ALL APPLICABLE NATIONAL AND LOCAL ELECTRICAL REGULATIONS.
 2. PLEASE REFER TO THE PRODUCT MANUALS FOR DETAILED INFORMATION.
 3. ALL DIMENSIONS ARE IN MILLIMETERS, UNLESS OTHERWISE SPECIFIED.
 4. SOME MECHANICAL COMPONENTS HAVE BEEN OMITTED FOR THE PURPOSE OF CLARITY.

THIS DRAWING AND SPECIFICATIONS HEREIN ARE THE PROPERTY OF AMERICAN POWER CONVERSION AND SHALL NOT BE COPIED, REPRODUCED OR USED IN WHOLE OR IN PART, AS THE BASIS FOR THE MANUFACTURE OR SALE OF ITEMS WITHOUT WRITTEN PERMISSION FROM APC. THIS DRAWING IS BASED UPON LATEST AVAILABLE INFORMATION AND IS SUBJECT TO CHANGE WITHOUT NOTICE.



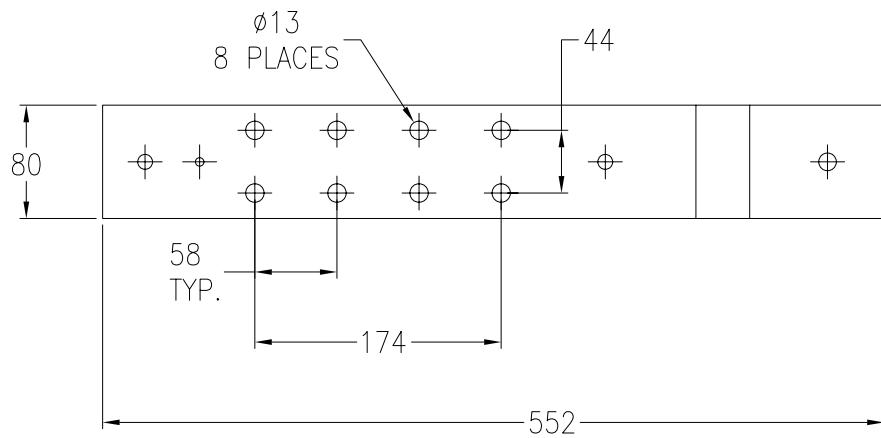
TITLE: SYMMETRA MW UPS
400V AC, 3PH, 1000KW
EXTERNAL STATIC SWITCH
TOP CABLE ENTRY OPTION
INTERNAL VIEW & SECTION VIEW

PROJECT: SUBMITTAL DRAWINGS SHEET 2 OF 5

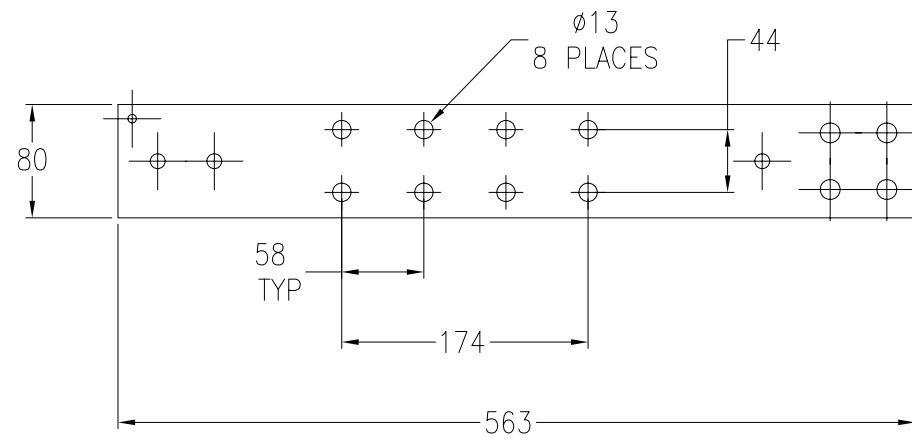
DWG NO: SYSSWT1000KH-ME1

DRAWN: JAYAPRAKASH 22-SEP-08
ENGINEER: L.DUELUND 22-SEP-08
APPROVED: C LARSEN/S WAGH 22-SEP-08

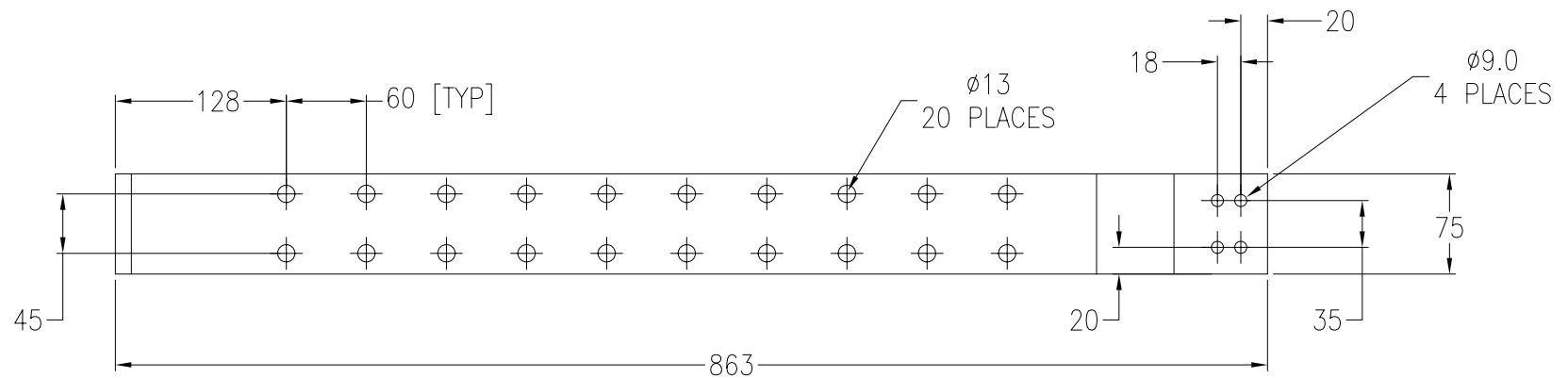
REV. 3
FIRST ANGLE PROJECTION



INPUT BUS DETAILS
Thickness-10mm



OUTPUT BUS BAR DETAIL
Thickness-10mm



GROUND BUSBAR DETAIL
Thickness-12mm

NOTES:

1. INSTALLATION MUST COMPLY WITH ALL APPLICABLE NATIONAL AND LOCAL ELECTRICAL REGULATIONS.
2. ALL DIMENSIONS ARE IN MILLIMETERS, UNLESS OTHERWISE SPECIFIED.

THIS DRAWING AND SPECIFICATIONS HEREIN ARE THE PROPERTY OF AMERICAN POWER CONVERSION AND SHALL NOT BE COPIED, REPRODUCED OR USED IN WHOLE OR IN PART, AS THE BASIS FOR THE MANUFACTURE OR SALE OF ITEMS WITHOUT WRITTEN PERMISSION FROM APC. THIS DRAWING IS BASED UPON LATEST AVAILABLE INFORMATION AND IS SUBJECT TO CHANGE WITHOUT NOTICE.



TITLE: SYMMETRA MW UPS
400V AC, 3PH, 1000KW
EXTERNAL STATIC SWITCH
TOP CABLE ENTRY OPTION
BUSBAR DETAILS

PROJECT: SUBMITTAL DRAWINGS SHEET 3 OF 5

DWG NO: SYSSWT1000KH-ME2

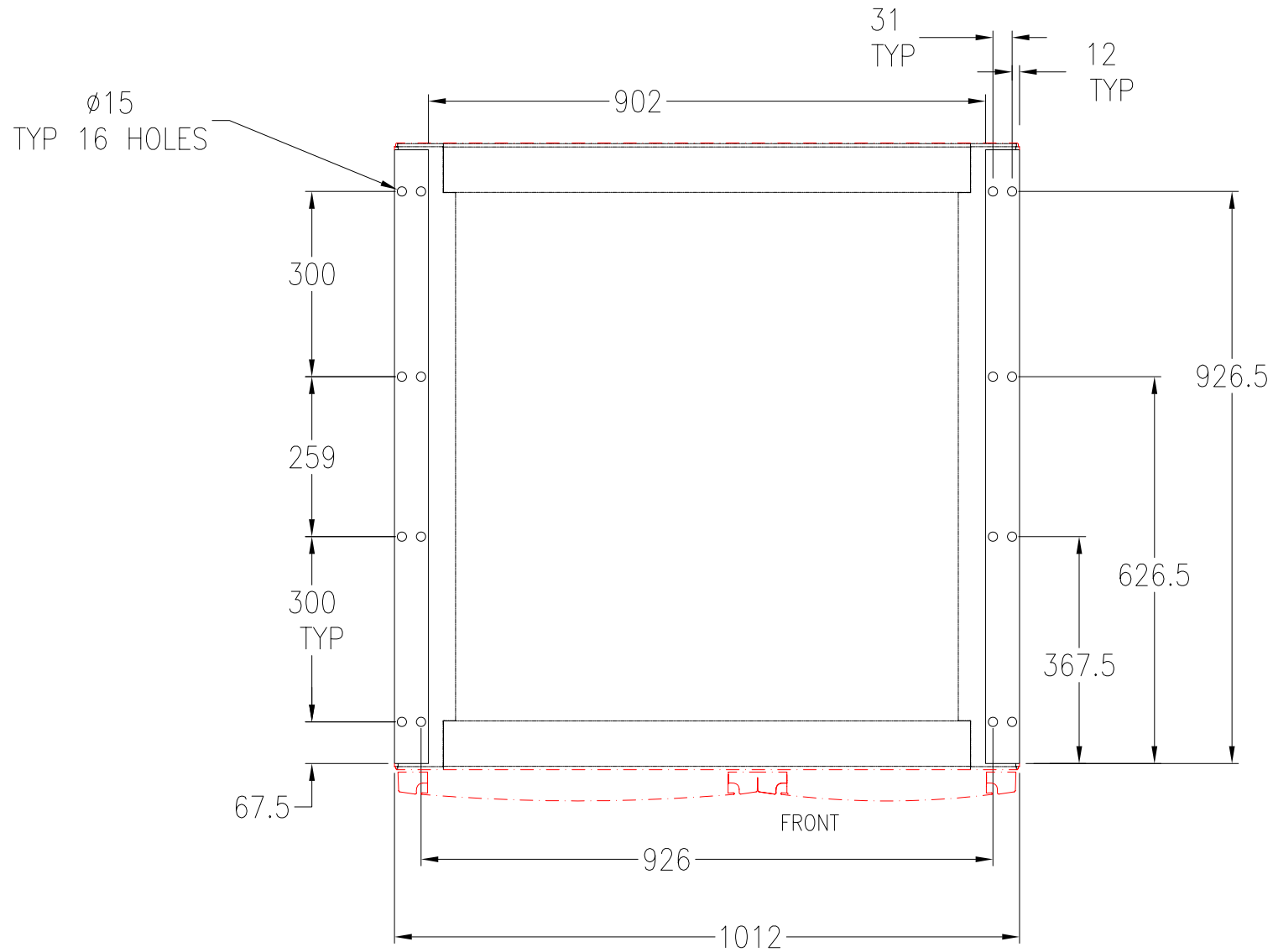
DRAWN: JAYAPRAKASH 22-SEP-08

ENGINEER: L.DUELUND 22-SEP-08

APPROVED: C LARSEN/S WAGH 22-SEP-08

REV. 1

FIRST ANGLE PROJECTION



FLOOR ANCHORING DETAILS

NOTES:

1. INSTALLATION MUST COMPLY WITH ALL APPLICABLE NATIONAL AND LOCAL ELECTRICAL REGULATIONS.
2. PLEASE REFER TO THE PRODUCT MANUALS FOR FLOOR ANCHORING PROCEDURE.
3. ALL DIMENSIONS ARE IN MILLIMETERS, UNLESS OTHERWISE SPECIFIED.
4. SOME STRUCTURAL DETAILS HAVE BEEN OMITTED FOR THE PURPOSE OF CLARITY.

THIS DRAWING AND SPECIFICATIONS HEREIN ARE THE PROPERTY OF AMERICAN POWER CONVERSION AND SHALL NOT BE COPIED, REPRODUCED OR USED IN WHOLE OR IN PART, AS THE BASIS FOR THE MANUFACTURE OR SALE OF ITEMS WITHOUT WRITTEN PERMISSION FROM APC. THIS DRAWING IS BASED UPON LATEST AVAILABLE INFORMATION AND IS SUBJECT TO CHANGE WITHOUT NOTICE.



TITLE: SYMMETRA MW UPS
400V AC, 3PH, 1000KW
EXTERNAL STATIC SWITCH
TOP CABLE ENTRY OPTION
FLOOR ANCHORING

PROJECT: SUBMITTAL DRAWINGS SHEET 4 OF 5

DWG NO: SYSSWT1000KH-FA

DRAWN: JAYAPRAKASH 22-SEP-08

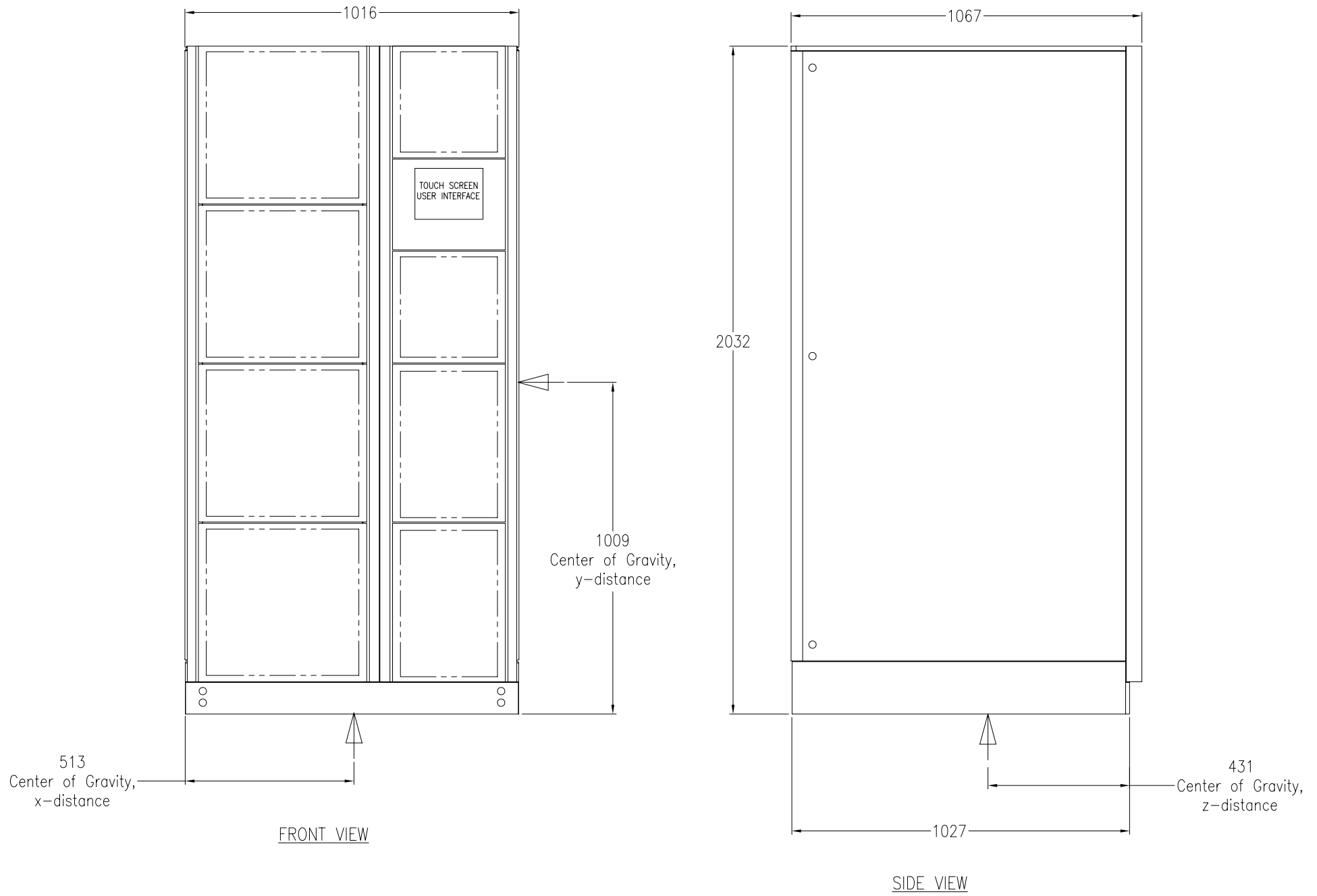
ENGINEER: L.DUELUND 22-SEP-08

APPROVED: C LARSEN/S WAGH 22-SEP-08

REV. 4

FIRST ANGLE PROJECTION

PROJECTION



NOTES:

1. INSTALLATION MUST COMPLY WITH ALL APPLICABLE NATIONAL AND LOCAL ELECTRICAL REGULATIONS.
2. PLEASE REFER TO THE PRODUCT MANUALS FOR DETAILED INFORMATION.
3. ALL DIMENSIONS ARE IN MILLIMETERS, UNLESS OTHERWISE SPECIFIED.

THIS DRAWING AND SPECIFICATIONS HEREIN ARE THE PROPERTY OF AMERICAN POWER CONVERSION AND SHALL NOT BE COPIED, REPRODUCED OR USED IN WHOLE OR IN PART, AS THE BASIS FOR THE MANUFACTURE OR SALE OF ITEMS WITHOUT WRITTEN PERMISSION FROM APC. THIS DRAWING IS BASED UPON LATEST AVAILABLE INFORMATION AND IS SUBJECT TO CHANGE WITHOUT NOTICE.



TITLE: SYMMETRA MW UPS
400V AC, 3PH, 1000KW
EXTERNAL STATIC SWITCH
TOP CABLE ENTRY OPTION
CENTER OF GRAVITY

PROJECT: SUBMITTAL DRAWINGS SHEET 5 OF 5

DWG NO: SYSSWT1000KH-CG

DRAWN: JAYAPRAKASH 22-SEP-08

ENGINEER: L.DUELUND 22-SEP-08

APPROVED: C LARSEN/S WAGH 22-SEP-08

REV. 5

FIRST ANGLE PROJECTION