

120/240 VAC	
PART NO.	AMP RATING
QOU(*)10	10
QOU(*)15	15
QOU(*)20	20
QOU(*)25	25
QOU(*)30	30
QOU(*)35	35
QOU(*)40	40
QOU(*)45	45
QOU(*)50	50
QOU(*)60	60
QOU(*)70	70

(*) = Number of Poles (1, 2, or 3)
 "B" SUFFIX INDICATES 40 CT. BULK PKG'S.
 3 POLE NOT AVAILABLE W/70 AMP RATING

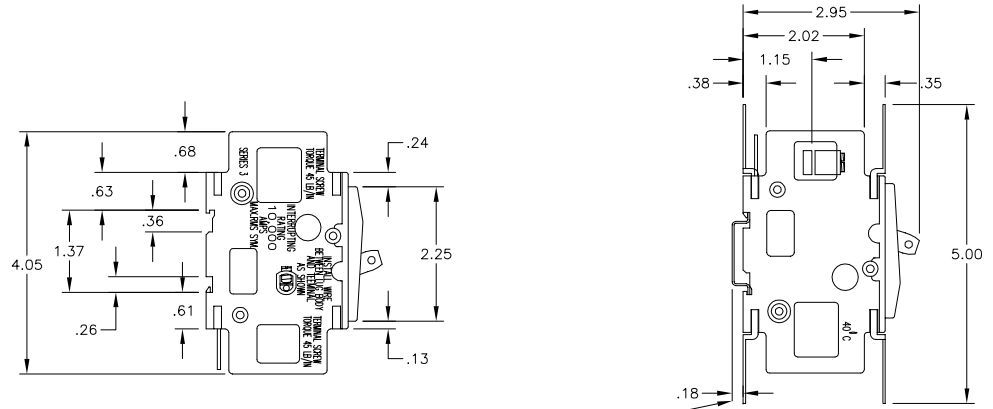
CIRCUIT BREAKERS

VOLTS ONE POLE 120/240
 TWO POLE 120/240 OR 240
 THREE POLE 240
 10,000 AMP INTERRUPTING CAPACITY
 CALIBRATED FOR 40 DEGREES CELCIUS

SWITCHES

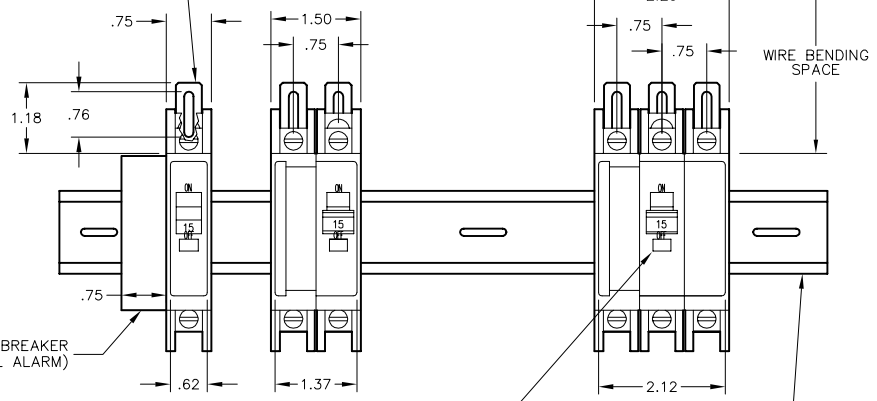
VOLTS ONE POLE 120/240
 TWO AND THREE POLE 240
 CAN BE USED ON CIRCUITS CAPABLE
 OF DELIVERING 10,000 AMPS WHEN
 PROTECTED UPSTREAM BY A CIRCUIT
 BREAKER OF SIMILAR AMPERAGE
 LUGS RATED FOR #2 - #14 CU/AL 60/75 DEGREE WIRE
 SIMULTANEOUS SWITCHING ON AND OFF OF ALL POLES

Catalog Number: SEE CHART
 Ratings: SEE CHART
 UL File/Guide: E33117
 CSA File/Guide: LR92888-1
 Meets Standards: UL LISTED AS HACR EXCEPT 10 AMP
 Weight: -
 Wire Size: 1 - #14 - 2CU OR AL
 Terminal torque: -
 Mounting Hwd.: DIN MOUNT 35 X 7.5MM



MOUNTING BRACKETS TO
 BE INSTALLED ON
 BOTH ENDS AS SHOWN.
 CATALOG NO.'S:
 ONE POLE - QOUMF1
 TWO POLE - QOUMF2
 THREE POLE - QOUMF3

2.50 [64] MIN. WIRE BENDING
 SPACE FOR 2 AWG
 1.50 [38] MIN. WIRE BENDING
 SPACE FOR 14 AWG
 TYP. BOTH ENDS FOR ALL CB'S SHOWN
 PER ARTICLE 430-1-(B) NEC



ACCESSORY PACKAGE TYPICAL ANY BREAKER
 (SHUNT TRIP, "A" OR "B" SWITCH, BELL ALARM)

VISI - TRIP WINDOW:
 SIMULTANEOUS OPENING AND CLOSING OF ALL POLES
 WHEN CIRCUIT BREAKER TRIPS, HANDLE ASSUMES CENTER
 POSITION AND RED INDICATOR APPEARS NEAR WINDOW

"THE SQUARE D COMPANY HAS PROPRIETARY RIGHTS TO THE INFORMATION CONTAINED
 HEREON. THIS INFORMATION REMAINS THE PROPERTY OF SQUARE D COMPANY AND MAY
 BE USED ONLY IN CONFORMANCE WITH INSTRUCTIONS ISSUED BY SQUARE D COMPANY.
 USER SHOULD VERIFY DRAWINGS ARE TO THE LATEST/CURRENT REVISION PRIOR
 TO INCORPORATING IN A DESIGN FILE."

DO NOT SCALE DRAWING
 UNLESS OTHERWISE SPECIFIED DIMENSIONS ARE IN INCHES

THIRD ANGLE
 PROJECTION
TOLERANCES
 UNLESS OTHERWISE SPECIFIED
 2 PLACE DECIMALS ± .01

CIRCUIT BREAKER
 QOU 10 - 70 AMP

SQUARE D COMPANY

DWG# QOU_1-3P_70A_OUTLINE_001
 NO.