

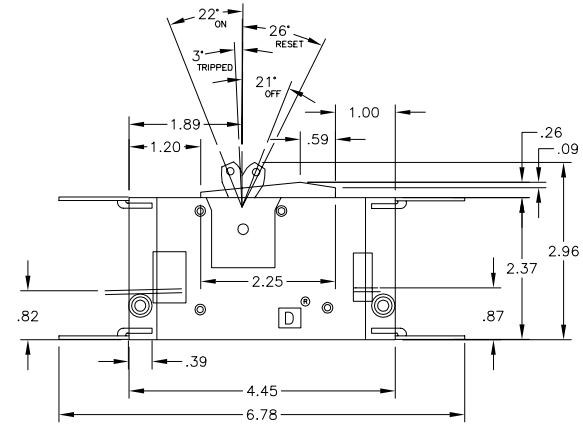
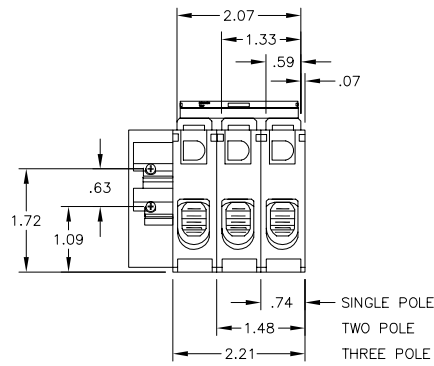
120/240 VAC	
PART NO.	AMP RATING
QOU(*)70	70
QOU(*)80	80
QOU(*)90	90
QOU(*)100	100
QOU(*)125	125

(*) = NUMBER OF POLES (1,2,OR 3)
 "B" SUFFIX INDICATES 40 CT. BULK PKG'S.
 1 AND 2 POLE NOT AVAILABLE W/70 AMP RATING
 1 POLE NOT AVAILABLE W/125 AMP RATING

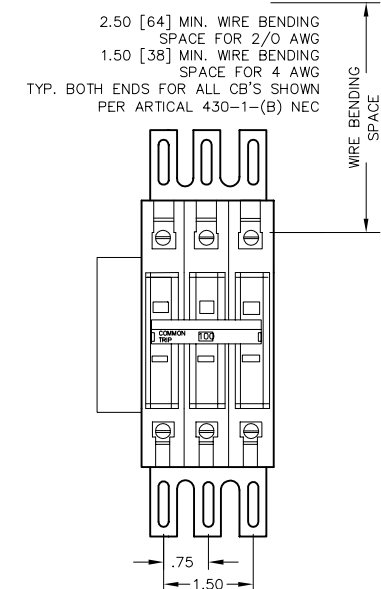
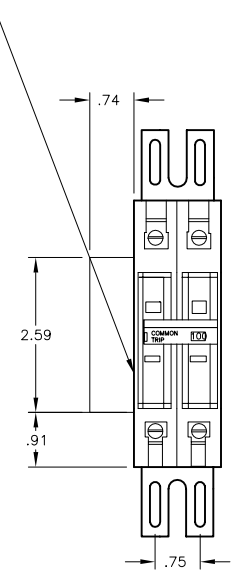
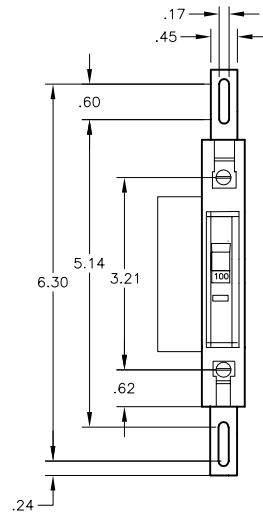
CIRCUIT BREAKERS
 ONE, TWO, AND THREE POLE BREAKERS:
 120/240 VAC
 10,000 AMP INTERRUPTING CAPACITY
 CALIBRATED FOR 40 DEGREES CELCIUS

SWITCHES
 NOT AVAILABLE IN SINGLE POLE
 TWO POLE: 100 & 125A 240 VAC
 THREE POLE: 100 & 125A 240 VAC
 CAN BE USED ON CIRCUITS CAPABLE
 OF DELIVERING 10,000 AMPS WHEN
 PROTECTED BY A CIRCUIT
 BREAKER OF SIMILAR AMPERAGE
 LUGS RATED FOR #4 - 2/0 75 C WIRE ONLY
 SIMULTANEOUS SWITCHING ON AND OFF OF ALL POLES

Catalog Number: SEE CHART
 Ratings: SEE CHART
 UL File/Guide: CB'S: E84905 SWITCHES: E87159
 CSA File/Guide: CB'S: LR40970 SWITCHES: LR40969
 Meets Standards: UL LISTED AS HACR EXCEPT 10 AMP
 Weight: -
 Wire Size: #4 - 2/0 75 C WIRE ONLY
 Terminal torque: -
 Mounting Hwd.: FLUSH & SURFACE MOUNT



VISI - TRIP WINDOW:
 SIMULTANEOUS OPENING AND CLOSING OF ALL POLES
 WHEN CIRCUIT BREAKER TRIPS, HANDLE ASSUMES CENTER
 POSITION AND RED INDICATOR APPEARS NEAR WINDOW



"THE SQUARE D COMPANY HAS PROPRIETARY RIGHTS TO THE INFORMATION CONTAINED HEREON. THIS INFORMATION REMAINS THE PROPERTY OF SQUARE D COMPANY AND MAY BE USED ONLY IN CONFORMANCE WITH INSTRUCTIONS ISSUED BY SQUARE D COMPANY. USER SHOULD VERIFY DRAWINGS ARE TO THE LATEST/CURRENT REVISION PRIOR TO INCORPORATING IN A DESIGN FILE."

DO NOT SCALE DRAWING
 UNLESS OTHERWISE SPECIFIED DIMENSIONS ARE IN INCHES

THIRD ANGLE PROJECTION
 TOLERANCES
 UNLESS OTHERWISE SPECIFIED
 2 PLACE DECIMALS ± .01

QOU HIGH AMP CIRCUIT BREAKER
 70-125 AMP



DWG# QOU_1-3P_125A_OUTLINE_001
 NO.