

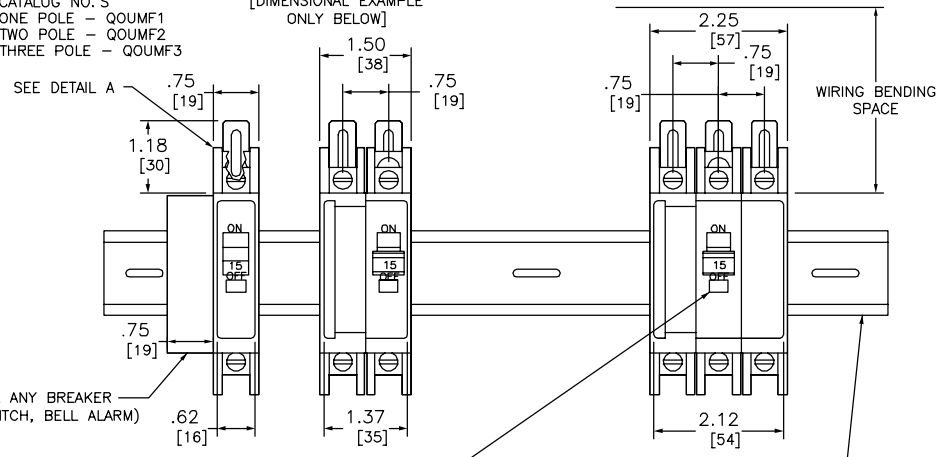
120/240 VAC	
PART NO.	AMP RATING
QOU(*)10	10
QOU(*)15	15
QOU(*)20	20
QOU(*)25	25
QOU(*)30	30
QOU(*)35	35
QOU(*)40	40
QOU(*)45	45
QOU(*)50	50
QOU(*)60	60
QOU(*)70	70

(\*) = NUMBER OF POLES (1, 2, OR 3)  
 "B" SUFFIX INDICATES 40 CT. BULK PKG'S.  
 3 POLE NOT AVAILABLE W/70 AMP RATING  
 IN THIS CONSTRUCTION.

MOUNTING BRACKETS TO BE INSTALLED ON BOTH ENDS AS SHOWN. CATALOG NO.'S ONE POLE - QOUMF1 TWO POLE - QOUMF2 THREE POLE - QOUMF3

[DIMENSIONAL EXAMPLE ONLY BELOW]

MINIMUM WIRE BENDING SPACE BOTH ENDS FOR ALL CB'S SHOWN PER NEC 312.6 AND 430.10



ACCESSORY PACKAGE TYPICAL ANY BREAKER (SHUNT TRIP, "A" OR "B" SWITCH, BELL ALARM)

VISI - TRIP WINDOW: SIMULTANEOUS OPENING AND CLOSING OF ALL POLES WHEN CIRCUIT BREAKER TRIPS, HANDLE ASSUMES CENTER POSITION AND RED INDICATOR APPEARS NEAR WINDOW

**CIRCUIT BREAKERS**  
 VOLTS ONE POLE 120/240 (120 VAC MAX)  
 TWO POLE 120/240 OR 240  
 THREE POLE 240  
 10,000 AMP INTERRUPTING CAPACITY  
 CALIBRATED FOR 40 DEGREES CELCIUS

**SWITCHES**  
 VOLTS ONE POLE 120/240  
 TWO AND THREE POLE 240  
 CAN BE USED ON CIRCUITS CAPABLE OF DELIVERING 10,000 AMPS WHEN PROTECTED UPSTREAM BY A CIRCUIT BREAKER OF SIMILAR AMPERAGE  
 LUGS RATED FOR #2 - #14 CU/AL 60/75 DEGREE WIRE  
 SIMULTANEOUS SWITCHING ON AND OFF OF ALL POLES

Catalog Number: SEE CHART  
 Ratings: SEE CHART  
 UL File/Guide: E33117  
 CSA File/Guide: LR92888-1  
 Meets Standards: UL LISTED AS HACR EXCEPT 10 AMP  
 Weight: -  
 Wire Size: 1 - #14 - 2CU OR AL  
 Terminal torque: -  
 Mounting Hwd.: FLUSH OR SURFACE MOUNT, OR DIN MOUNT 35 X 7.5 MM

CIRCUIT BREAKER  
 QOU 10 - 70 AMP 1 AND 2 POLE  
 QOU 10 - 60 AMP 3 POLE



DWG# QOU\_1-3P\_70A\_OUTLINE\_001  
 NO.

DUAL DIMENSIONS: INCHES  
 MILLIMETERS