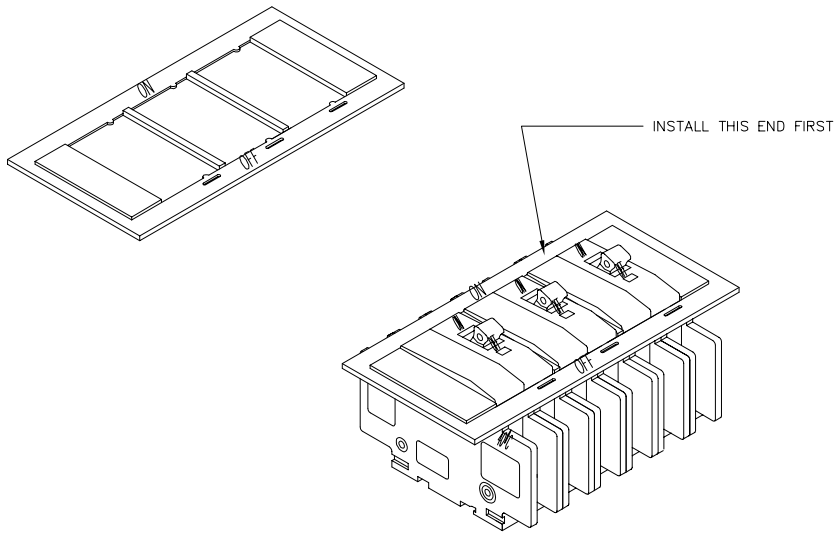
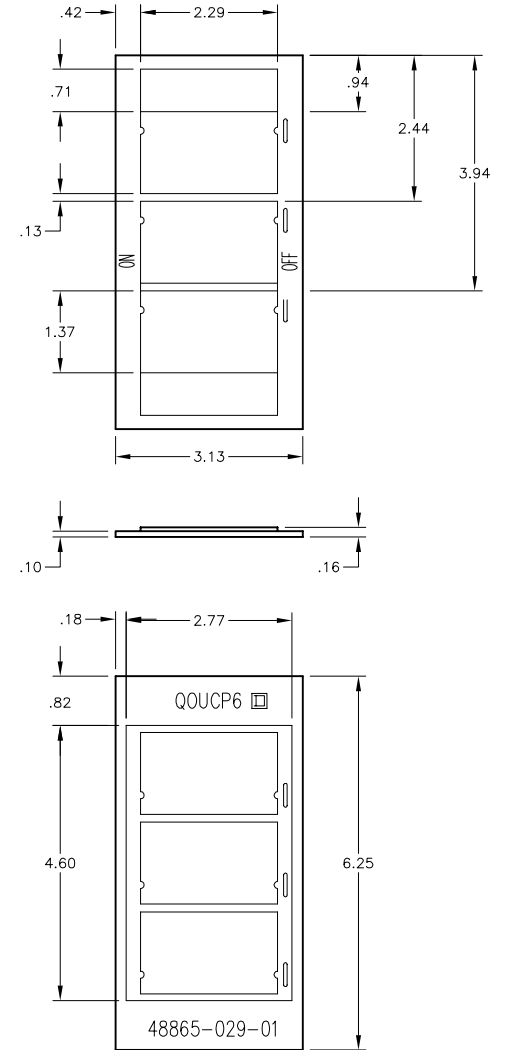


STANDARD TOLERANCES UNLESS OTHERWISE SPECIFIED	LINEAR DIMENSION:	ONE PLACE DECIMAL +/- .050	TWO PLACE DECIMAL +/- .010	THREE PLACE DECIMAL +/- .005	FRACTIONAL DIMENSION +/- .015
	ANGLE:	UNDIMENSIONED ANGLE: +/- 2°		DIMENSIONED ANGLE: +/- 1°	
	HOLES UP TO .750	TWO PLACE DECIMAL +/- .015	THREE PLACE DECIMAL +.002/- .001	FRACTIONAL, NUMBER OR LETTER SIZE +.004/- .001	REAMED +.002/- .000



QOU SERIES 3 THREE-TWO POLES (3/4" TO 1" MODULUS) COVER PLATE



"THE SQUARE D COMPANY HAS PROPRIETARY RIGHTS TO THE INFORMATION CONTAINED HEREON. THIS INFORMATION REMAINS THE PROPERTY OF SQUARE D COMPANY AND MAY BE USED ONLY IN CONFORMANCE WITH INSTRUCTIONS ISSUED BY SQUARE D COMPANY. USER SHOULD VERIFY DRAWINGS ARE TO THE LATEST/CURRENT REVISION PRIOR TO INCORPORATING IN A DESIGN FILE."

DO NOT SCALE DRAWING
UNLESS OTHERWISE SPECIFIED DIMENSIONS ARE IN INCHES

THIRD ANGLE PROJECTION
TOLERANCES
UNLESS OTHERWISE SPECIFIED
2 PLACE DECIMALS ± .01

CIRCUIT BREAKER
QOUCP6

SQUARE D COMPANY

DWG# QOUCP6_OUTLINE_001
NO.