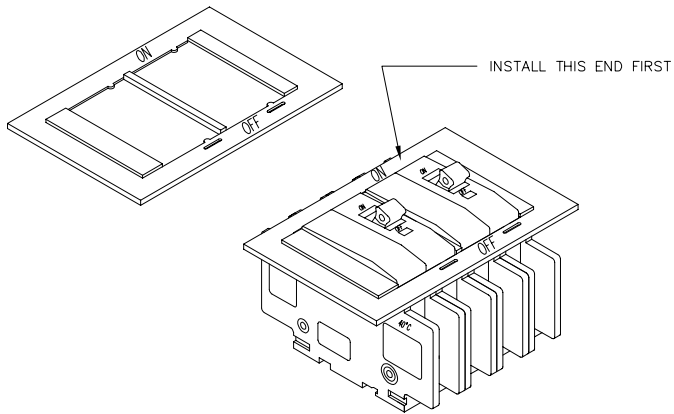
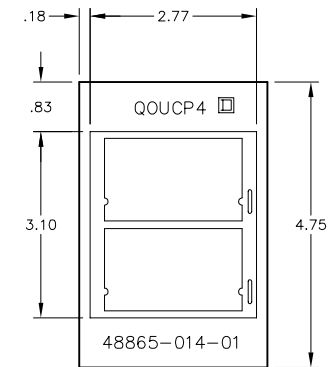
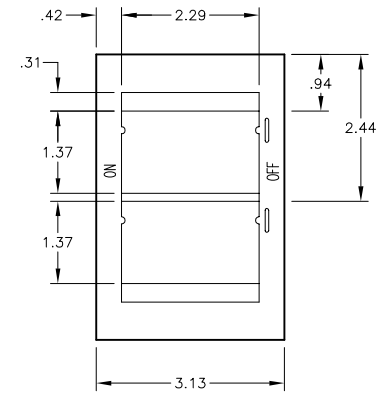


STANDARD TOLERANCES UNLESS OTHERWISE SPECIFIED	LINEAR DIMENSION:	ONE PLACE DECIMAL +/- .050	TWO PLACE DECIMAL +/- .010	THREE PLACE DECIMAL +/- .005	FRACTIONAL DIMENSION +/- .015
	ANGLE:	UNDIMENSIONED ANGLE: +/- 2°		DIMENSIONED ANGLE: +/- °	
	HOLES UP TO .750	TWO PLACE DECIMAL +/- .015	THREE PLACE DECIMAL +0.002/-0.001	FRACTIONAL NUMBER OR LETTER SIZE +0.004/-0.001	REAMED +0.002/-0.000



QOU SERIES 3 TWO-TWO POLES (3/4" TO 1" MODULUS) COVER PLATE



"THE SQUARE D COMPANY HAS PROPRIETARY RIGHTS TO THE INFORMATION CONTAINED HEREON. THIS INFORMATION REMAINS THE PROPERTY OF SQUARE D COMPANY AND MAY BE USED ONLY IN CONFORMANCE WITH INSTRUCTIONS ISSUED BY SQUARE D COMPANY. USER SHOULD VERIFY DRAWINGS ARE TO THE LATEST/CURRENT REVISION PRIOR TO INCORPORATING IN A DESIGN FILE."

**DO NOT SCALE DRAWING**  
UNLESS OTHERWISE SPECIFIED DIMENSIONS ARE IN INCHES

THIRD ANGLE PROJECTION  
**TOLERANCES**  
UNLESS OTHERWISE SPECIFIED  
2 PLACE DECIMALS ± .01

COVER PLATE  
QOUCP4

**SQUARE D COMPANY**

DWG# QOUCP4\_OUTLINE\_001  
NO.