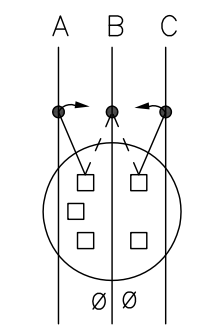
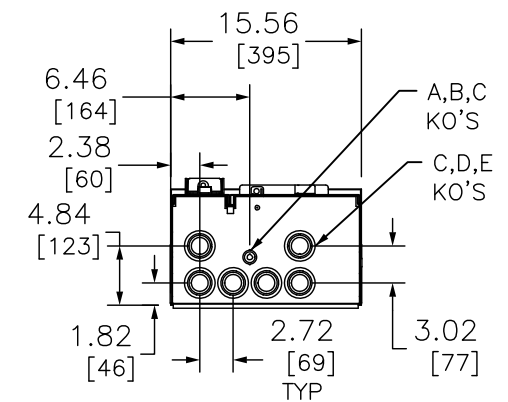
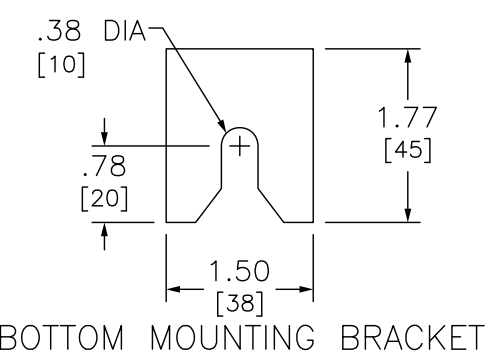
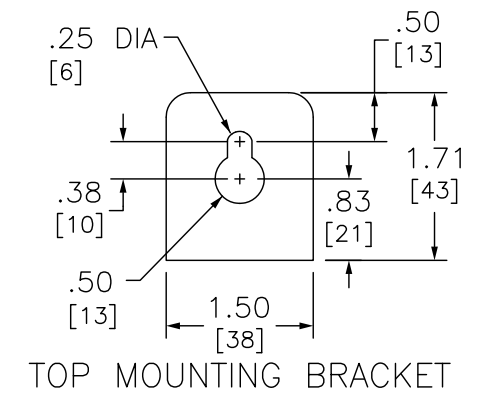


TENANT CIRCUIT BREAKERS (ORDER ONE PER SOCKET POSITION)			
TENANT CIRCUIT BREAKER (2-POLE)	AMPERE RATINGS MIN - MAX	SHORT CIRCUIT BREAKER RATING RMS SYMMETRICAL AMPERES MAX	VOLTS MAX
QO	40 - 125	10,000	240/120
QO-VH	40 - 60	22,000	
QOH	40 - 60	42,000	

KNOCKOUTS		
SYMBOL	CONDUIT SIZE	
	IN	MM
A	.50	13
B	.75	19
C	1.00	25
D	1.25	32
E	1.50	38



EACH SOCKET LINE CONNECTOR MAY BE MOVED TO BALANCE LOADING. PHASE AC, BC OR AB. THIS DEVICE LEAVES THE FACTORY PHASED AB, BC, AC, AND AB TOP TO BOTTOM.



CATALOG NO SUFFIX
X = 1200 A MAIN BUS
CUX = ALL COPPER BUS WITH 1200AMP MAIN BUS
**EQUIPMENT GROUNDING SUITABLE TO BE RELOCATED AT THE TOP OF THE EQUIPMENT.

DUAL DIMENSIONS: INCHES MILLIMETERS

SYSTEM TYPE (IN)	SERVICE PROVIDED (OUT)	CATALOG NUMBER	METER SOCKET TYPE	NUMBER OF POSITIONS	TENANT CIRCUIT BREAKER (ORDER SEPARATELY)	LOAD NEUTRAL WIRE RANGE	EQUIPMENT GROUND WIRE RANGE
3Ø 4W 208Y/120VAC	1Ø 3W 120/208VAC	EZML314125 EZML314125X EZML314125CUX	5-JAW RINGLESS TYPE LEVER BYPASS	4	QO,QO-VH,OR QOH 125A MAX 2-POLE	(4) #14-2/0 AWG CU (4) #12-2/0 AWG AL	(4) #14-2/0 AWG CU (4) #12-2/0 AWG AL

NOTES:
FINISH - GRAY BAKED ENAMEL POWDER COAT PAINT OVER CLEANED GALVANNEALED STEEL.
UL LISTED AS A MODULAR-PANELBOARD - FILE E131840, VOL. M
SUITABLE FOR USE AS SERVICE EQUIPMENT.
MAIN HORIZONTAL CROSS BUS RATED AT 800 AMPERES. (ALUMINUM 1/4 X 1 3/4 TWO LAMINATIONS)
UNMETERED COMPARTMENTS ARE SEALABLE BY UTILITY.
SEE MARKINGS ON TENANT CIRCUIT BREAKER FOR WIRE RANGES.
GANGABLE MULTI-METERING EQUIPMENT IS DESIGNED FOR WALL MOUNTING ONLY
(NOT SUITABLE FOR USE AS FLOOR STANDING EQUIPMENT).

EZ METER-PAK GANGABLE
MULTI-METERING EQUIPMENT
125 MAX 3PH 4W METER SOCKET/CIRCUIT BREAKER
RINGLESS LEVER BYPASS 3-GANG BRANCH UNITS
RAINPROOF NEMA TYPE 3R ENCLOSURES

SQUARE D
by Schneider Electric

DWG# PWFDS-SYRS-0221
NO.