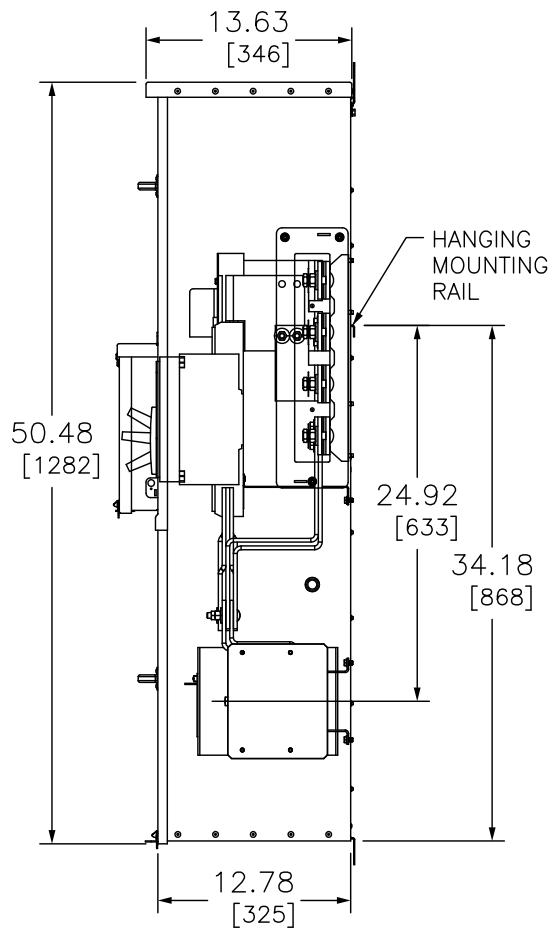


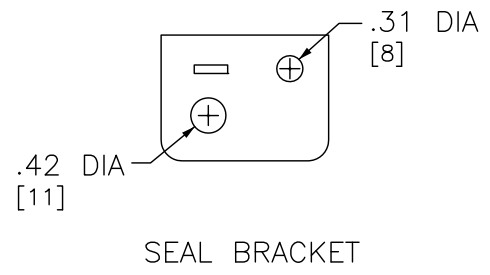
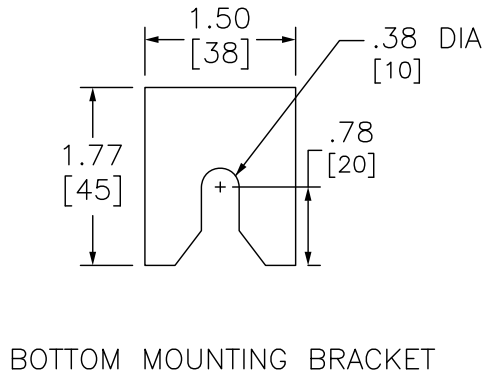
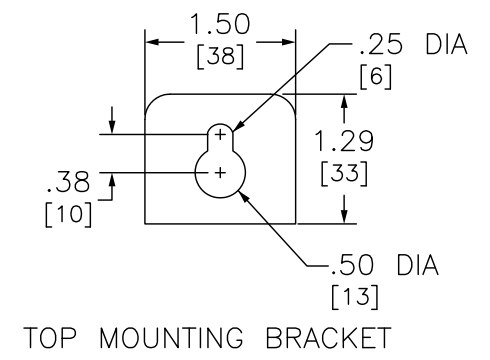
CLOSING PLATES  
FACTORY INSTALLED  
REMOVE PRIOR TO  
CONNECTING BRANCH  
UNIT AND REINSTALL  
AT END OF LINE-UP

HORIZONTAL CROSS BUS  
SYSTEM INCLUDES  
EXCLUSIVE VISI-TITE  
JOINT-NUTS TO MAKE  
ALL PHASE AND NEUTRAL  
CONNECTIONS BETWEEN  
TWO EZM UNITS

MOLDED CASE  
CIRCUIT BREAKER  
POWER PACT  
P FRAME



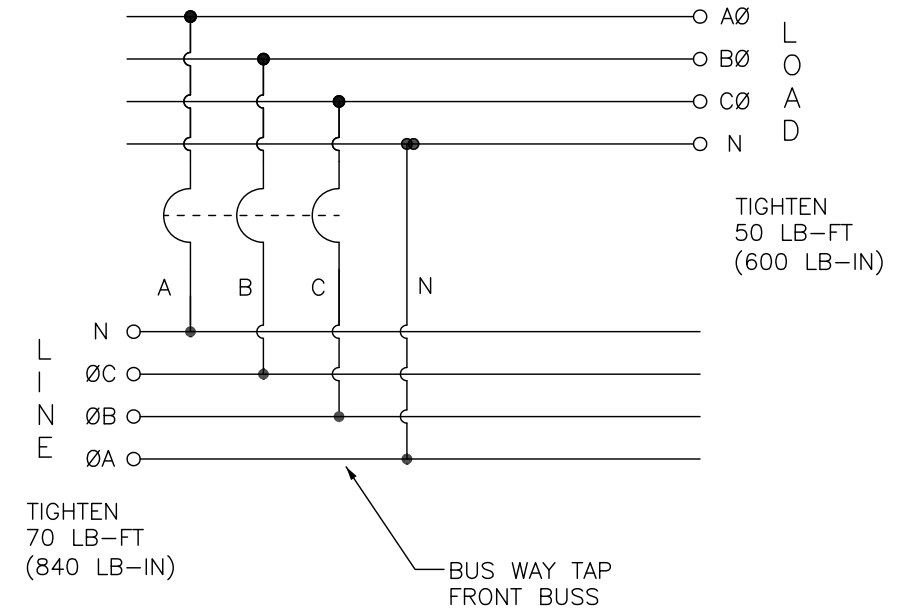
HANGING  
MOUNTING  
RAIL



ADDITIONAL NOTES :

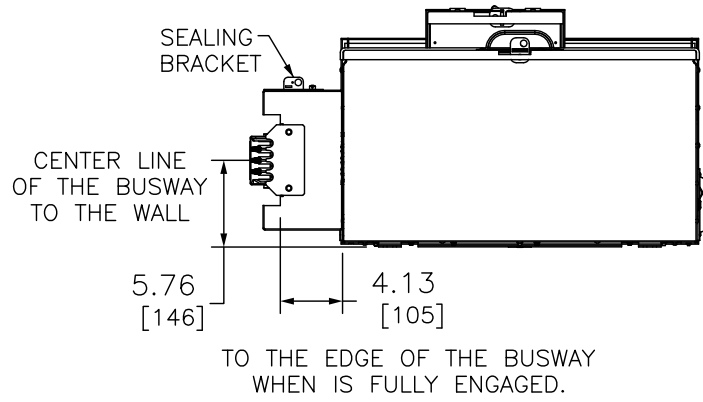
- HANDLE EXTENSION AVAILABLE P-FRAME BREAKER ORDER KIT REF. 33195

208Y/120V AC, 3Ø 4W  
240/120V AC, 3Ø 4W DELTA



TIGHTEN  
50 LB-FT  
(600 LB-IN)

TIGHTEN  
70 LB-FT  
(840 LB-IN)



CENTER LINE  
OF THE BUSWAY  
TO THE WALL

TO THE EDGE OF THE BUSWAY  
WHEN IS FULLY ENGAGED.

SUFFIX MEANS NBBTL (NEUTRAL BACK, BUS TAP LEFT)

DUAL DIMENSIONS: INCHES  
MILLIMETERS

NOTES:  
FINISH - GRAY BAKED ENAMEL POWDER COAT PAINT OVER CLEANED GALVANNEALED STEEL.  
UL LISTED - FILE E131840, VOL. M  
MAIN HORIZONTAL CROSS BUS RATED AT 1200 AMPERES. COPPER 1/4 x 2-1/2 TWO LAMINATIONS  
MAIN DEVICES ARE SEALABLE BY UTILITY.  
GANGABLE MULTI-METERING EQUIPMENT IS DESIGNED FOR WALL MOUNTING ONLY.  
(NOT SUITABLE FOR FLOOR STANDING EQUIPMENT.)  
\*1200A MAIN CIRCUIT BREAKER SUITABLE FOR USE ONLY WITH BRANCH DEVICES WITH MAIN BUS RATED 1200A  
GROUND CONTINUITY IS MAINTAINED THROUGH THE ENCLOSURE WITH BUSWAY BONDING BRACKETS.

SYSTEM TYPE	MAIN RATING (AMPERES)	CATALOG NUMBER	MOLDED CASE BREAKER POWER PACT P-FRAME (FACTORY INSTALLED)	CIRCUIT BREAKER INTERRUPTING RATING
3 Ø 4W 208Y/120VAC OR 240/120VAC DELTA	1200	EZM31200GBNBBTL	PGF36120U31A	65KA @ 240 VOLTS
	1200	EZM31200JBNBBTL	PJF36120U31A	100KA @ 240 VOLTS

EZ METER-PAK GANGABLE  
MULTI-METERING EQUIPMENT  
1200A 3PH 4W MAIN CIRCUIT BREAKER  
BUSWAY FEED LEFT SIDE  
INDOOR TYPE 1 ENCLOSURE

by Schneider Electric

DWG# PWFDS-SYRS-0159  
NO.