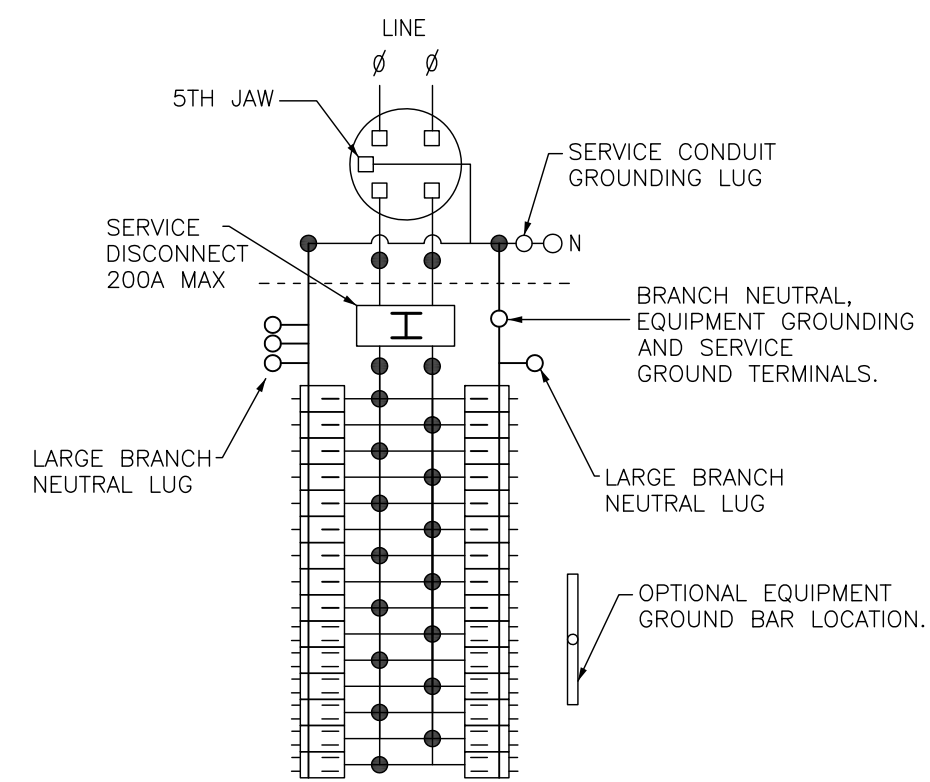
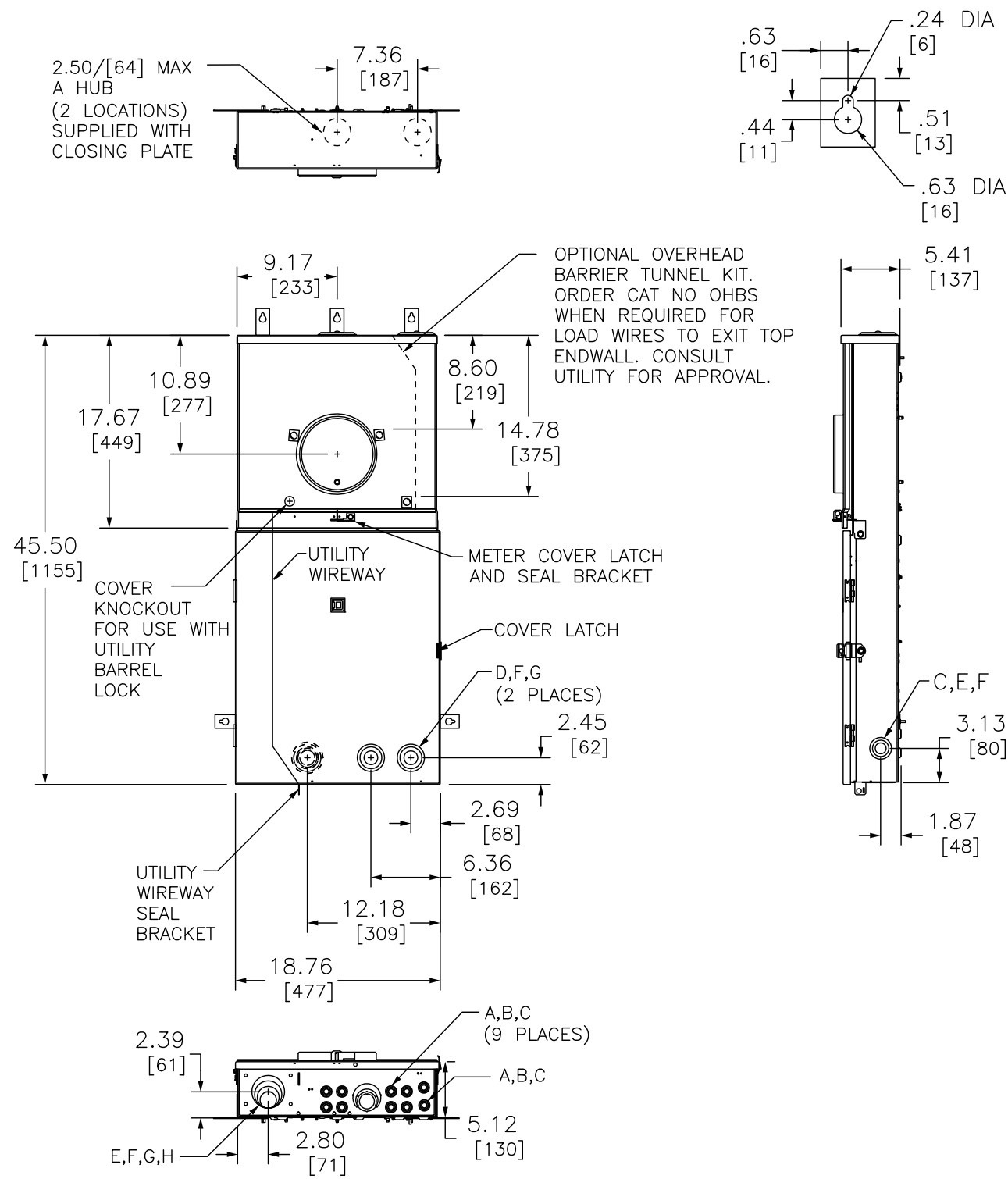
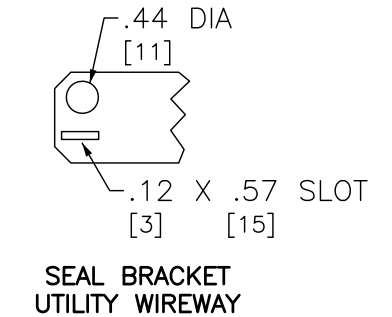
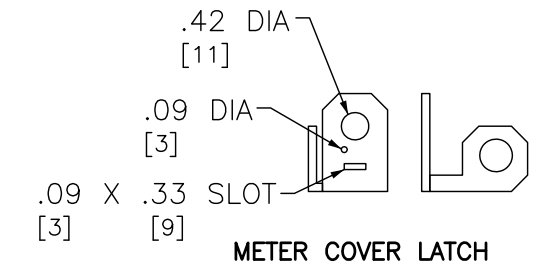


KNOCKOUTS				
SYMBOL	CONDUIT SIZE		HOLE DIA	
	IN	MM	IN	MM
A	.50	13	.87	22
B	.75	19	1.12	28
C	1.00	25	1.37	35
D	1.25	32	1.75	44
E	1.50	38	2.00	51
F	2.00	51	2.50	64
G	2.50	64	3.00	76
H	3.00	76	3.62	92



- ONE SINGLE POLE, ONE PLUG-ON SPACE TYPE HOM OR HOMP ONLY. TWO POLE TYPE HOM OR HOMA (15-125A) MAY PLUG ON TWO ADJACENT SPACES. TWO POLE TYPE HOMA (150-200A) MAY PLUG ON FOUR ADJACENT SPACES. TOTAL CIRCUIT BREAKER HANDLE RATING NOT TO EXCEED 160A PER BRANCH CIRCUIT CONNECTOR.
 - TWO SINGLE POLE, ONE PLUG-ON SPACE TYPE HOMT, ONE SINGLE POLE TYPE HOM OR HOMP. TWO POLE TYPE HOM, HOMA (15-125A) MAY PLUG ON TWO ADJACENT SPACES. TWO POLE TYPE HOMA (150-200A) MAY PLUG ON FOUR ADJACENT SPACES. TOTAL CIRCUIT BREAKER HANDLE RATING NOT TO EXCEED 160A PER BRANCH CIRCUIT CONNECTOR.
- A SQUARE D UL LISTED SECONDARY SURGE ARRESTER MAY PLUG ON TWO ADJACENT SPACES. ORDER CATALOG NO. HOM2175SB



RC3042M100PS
RC3042M150PS
RC3042M200PS

MAINS AMPERE RATING	FACTORY INSTALLED BYPASS TYPE	SHORT CIRCUIT CURRENT RATING	CATALOG NUMBER	SERIES	SPACES	MAXIMUM NUMBER OF SINGLE POLE HOM CIRCUITS	LINE SIDE PHASE & NEUTRAL LUGS AWG/KCMIL	SERVICE GROUND LUG AWG/KCMIL
100	NONE	22K	RC3042M100PS	M01	30	42	#6-350 CU/AL	#14-2/0 CU #12/2/0 AL
150	NONE		RC3042M150PS					
200	NONE		RC3042M200PS					

DUAL DIMENSIONS: INCHES MILLIMETERS

NOTES:
FINISH - GRAY BAKED ENAMEL POWDER COAT PAINT OVER CLEANED GALVANNEALED STEEL.
MAXIMUM SYSTEM VOLTAGE: 120/240VAC, 1Ø3W, 50-60HZ, 2Ø8Y/120VAC, 1Ø3W, 50-60HZ (FROM A 3Ø4W SYSTEM)
UL LISTED - FILE E-6294, VOL M
SUITABLE ONLY FOR USE AS SERVICE EQUIPMENT.
SUITABLE FOR UNDERGROUND/OVERHEAD SERVICE.

COMBINATION SERVICE ENTRANCE DEVICES
RINGLESS ALL-IN-ONE HOMELINE 30-42 CIRCUIT
RAINPROOF NEMA TYPE 3R ENCLOSURE
SURFACE MOUNT ONLY



DWG# PWFDS-SYRS-0130
NO.